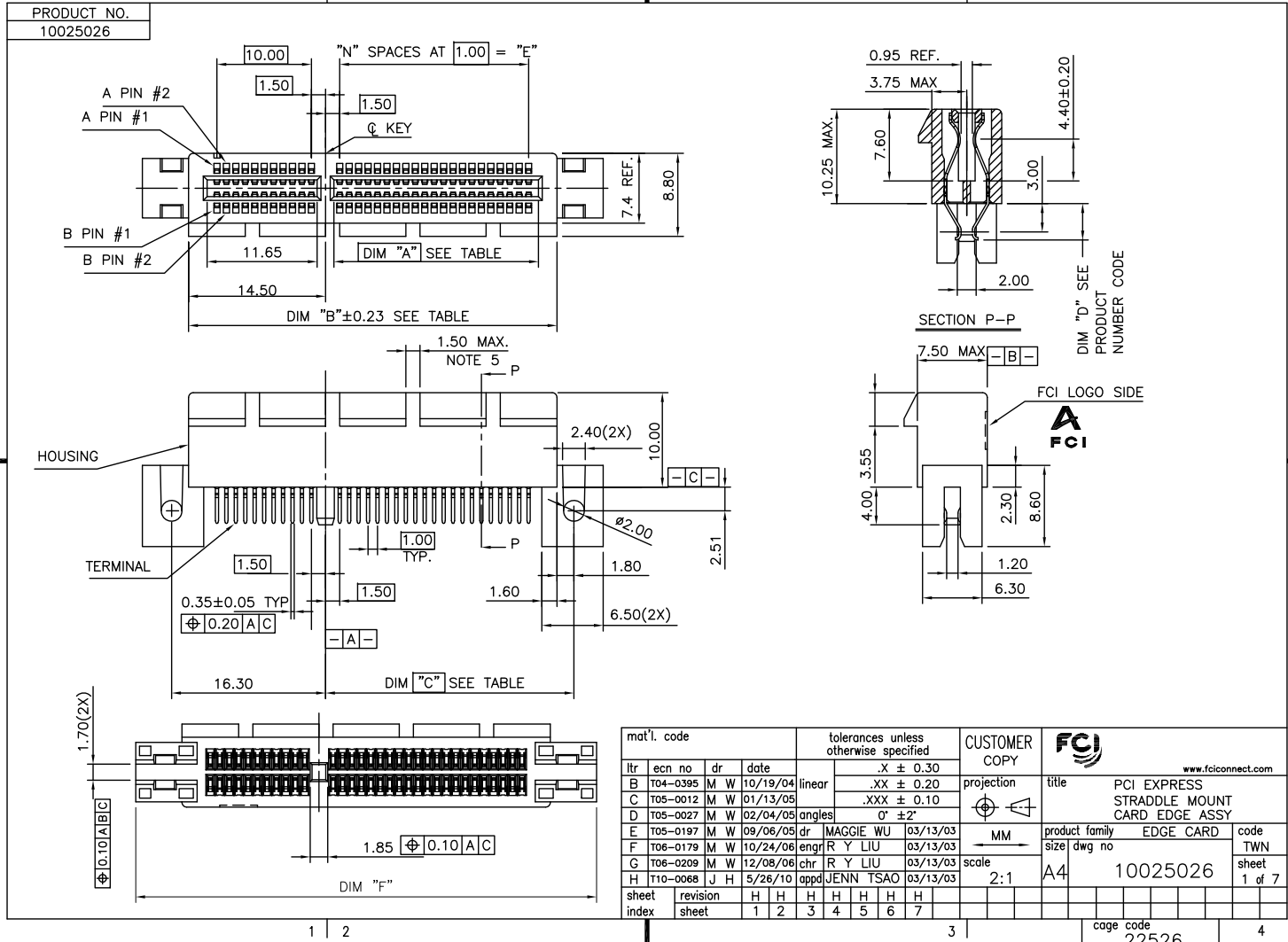


Tous droits strictement réservés. Reproduction ou communication à des fins autres qu'interne sans autorisation écrite du propriétaire. Property of FCI. Copyright FCI. Droits de reproduction FCI.



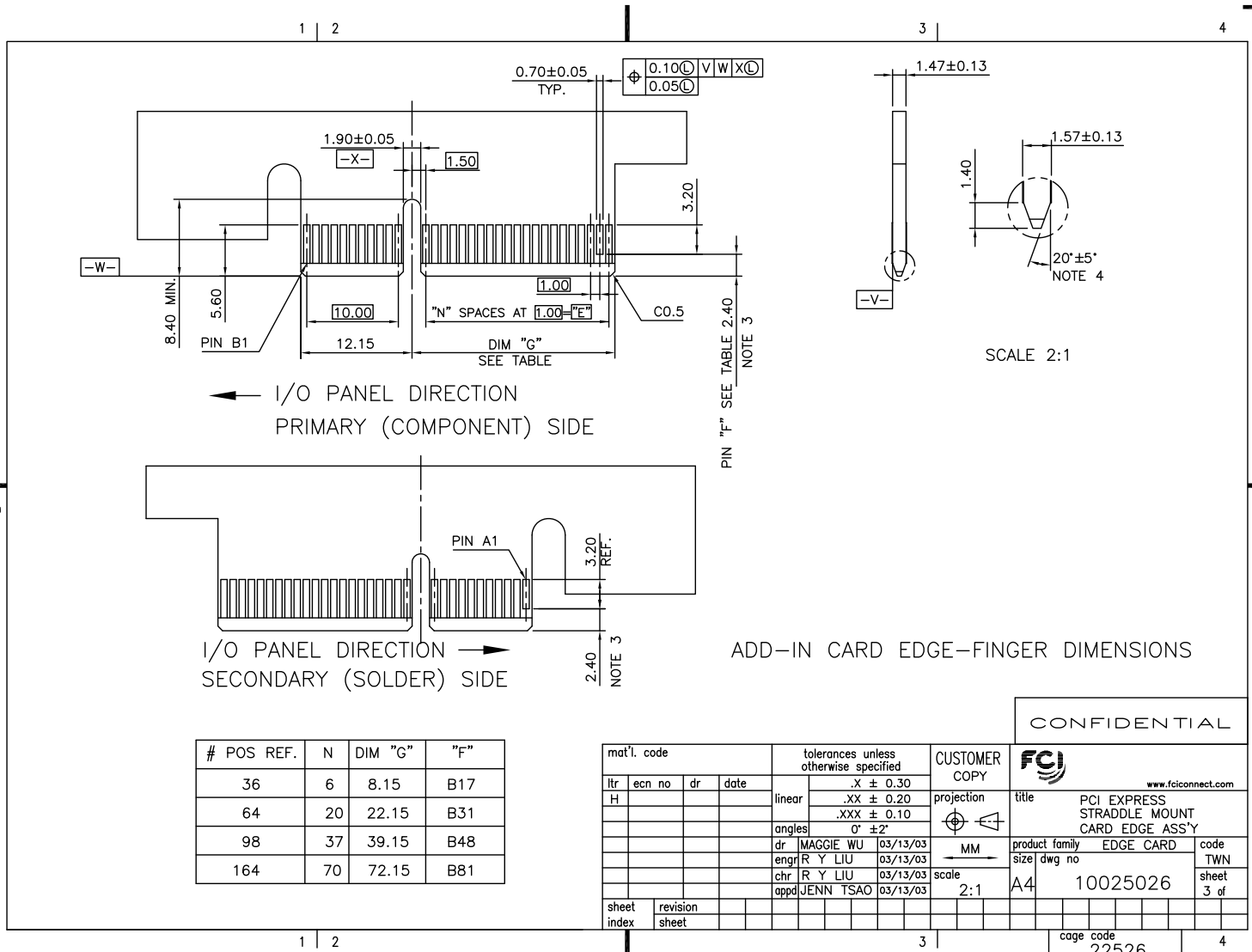
All rights strictly reserved. Reproduction or issue to third parties in any form whatever is not permitted without written authority from the proprietor. Property of FCI. Copyright FCI.



Tous droits strictement réservés. Reproduction ou communication à des fins
interdit sans autorisation écrite du propriétaire.
Property of FCI. Copyright FCI. Droits de reproduction FCI.



All rights strictly reserved. Reproduction or issue to third parties in any
form whatsoever is not permitted without written authority from the proprietor.
Property of FCI. Copyright FCI.



CONFIDENTIAL

mat'l. code		tolerances unless otherwise specified		CUSTOMER COPY		FCI	
ltr	ecn no	dr	date	linear	.X ± 0.30	projection	title
H					.XX ± 0.20	MM	PCI EXPRESS STRADDLE MOUNT CARD EDGE ASS'Y
				angles	.XXX ± 0.10		product family
				dr	0° ± 2'		EDGE CARD
				engr	MAGGIE WU 03/13/03	scale	code
				chr	R Y LIU 03/13/03	2:1	TWN
				appd	JENN TSAO 03/13/03	A4	10025026
sheet index	revision sheet						size dwg no
							3 of
							cage code
							22526

ACAD

PDM: Rev:H

STATUS: Released

Printed: Jun 28, 2010

NOTES:

- 1.MATERIAL:
HOUSING: HIGH TEMPERATURE NYLON, GLASS FILLED UL94V-0 RATED.
TERMINAL: COPPER ALLOY
PLATING: 50u" NICKEL UNDERPLATE ALL OVER
CONTACT AREA PLATING - SEE PRODUCT NUMBER CODE
SOLDER TAIL: TIN OR TIN/LEAD (90/10) - SEE PRODUCT NO. CODE
100u" MIN. OVER 50u" NICKEL
METAL BOARD LOCKS: COPPER ALLOY
FINISH: 100u" TIN OR TIN/LEAD (90/10) OVER 50u" NICKEL UNDERPLATE
SEE PRODUCT NUMBER CODE
- 2.PRODUCT SPECIFICATION: GS-12-233

CONNECTOR	# POS REF.	N	DIM "A"	DIM "B"	DIM "C"	"E"	"F"
1 PORT	36	6	7.65	25.00	12.30	6.00	34.8
4 PORT	64	20	21.65	39.00	26.30	20.00	48.8
8 PORT	98	37	38.65	56.00	43.30	37.00	65.8
16 PORT	164	70	71.65	89.00	76.30	70.00	98.8

- ③NO TIE BAR PERMITTED FROM CARD EDGE TO LEADING EDGE OF PAD FOR PINS A1 AND PIN NUMBERS "F".
- ④CHAMFER EDGES MUST BE FREE OF CUTTING BURRS.
- ⑤FREQUENCY & LOCATION AT SUPPLIER DISCRETION. RIDGE MAY BE CONTINUOUS WITH NO BREAKS.
- 6.RoHS COMPATIBLE PRODUCT SPECIFICATIONS
 - a - PLATING:
- "LF" MEANS THE PRODUCT IS LEAD-FREE, 2um MINIMUM MATTE TIN OVER 1.27um MINIMUM NICKEL UNDERPLATE.
 - b - MANUFACTURING PROCESS COMPATIBILITY
- THE HOUSING WILL WITHSTAND EXPOSURE TO 260°C±5°C SOLDER BATH TEMPERATURE FOR 5 SECONDS IN A REFLOW SOLDER APPLICATION WITH A 1.6mm MIN THICK CIRCUIT BOARD.

PRODUCT NUMBER CODE

10025026 -x o x o x i □ □

HOUSING COLOR OPTIONS

- 0-NATURAL
- 1-BLACK

RESERVE

LEAD FREE OPTIEON

LEAVE BLANK FOR TERMINAL PLATING 3.4.5
"LF" FOR TERMINAL PLATING OPTION 0,1,2

PACKAGING OPTIONS

- T: TRAY PACKAGING
- C: TAPE & REEL WITH INSERT CAP (FOR 98P ONLY)

POS OPTIONS

- 0-36
- 1-64
- 2-98
- 3-164

TERMINAL PLATING OPTIONS

- 0-50u" Ni UNDERPLATE
30u" Au CONTACT AREA
100u" TIN TAIL AREA ----- COMPATIBLE RoHS
- 1-50u" Ni UNDERPLATE
15u" Au CONTACT AREA
100u" TIN TAIL AREA ----- COMPATIBLE RoHS
- 2-50u" Ni UNDERPLATE
GOLD FLASH CONTACT AREA
100u" TIN TAIL AREA ----- COMPATIBLE RoHS
- 3-50u" Ni UNDERPLATE
30u" Au CONTACT AREA
100u" TIN/LEAD TAIL AREA ----- INCOMPLIANT RoHS
- 4-50u" Ni UNDERPLATE
15u" Au CONTACT AREA
100u" TIN/LEAD TAIL AREA ----- INCOMPLIANT RoHS
- 5-50u" Ni UNDERPLATE
GOLD FLASH CONTACT AREA
100u" TIN/LEAD TAIL AREA ----- INCOMPLIANT RoHS

TAIL LENGTH OPTIONS

DIM "D"	PCB THICKNESS
3.85 +0.25 -0.13	1.56

CONFIDENTIAL

mat'l. code				tolerances unless otherwise specified		CUSTOMER COPY		FCJ	
ltr	ecn no	dr	date	linear	.X ± 0.30	projection	title	www.fciconnect.com	
H					.XX ± 0.20		PCI EXPRESS STRADDLE MOUNT CARD EDGE ASS'Y		
				angles	.XXX ± 0.10				
				dr	0' ±2'	MM	product family	EDGE CARD	code
				engr	MAGGIE WU 03/13/03	scale	size	dwg no	TWN
				chr	R Y LIU 03/13/03	1:1	A4	10025026	sheet
				appd	JENN TSAO 03/13/03				4 of
sheet index	revision sheet								

ACAD

PDM: Rev:H

STATUS: Released

cage code 22526

Printed: Jun 28, 2010



Tous droits strictement réservés. Reproduction ou communication à des tiers interdite sous quelque forme que ce soit sans autorisation écrite du propriétaire. Propriété de c. FCI. Droits de reproduction FCI.



All rights strictly reserved. Reproduction or issue to third parties in any form whatever is not permitted without written authority from the proprietor. Property of FCI. Copyright FCI.

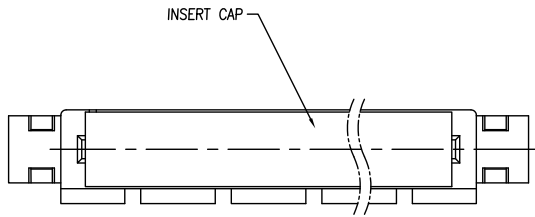
1 | 2

3

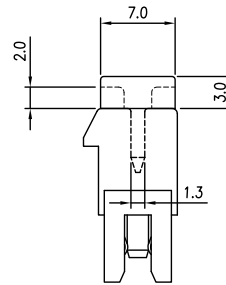
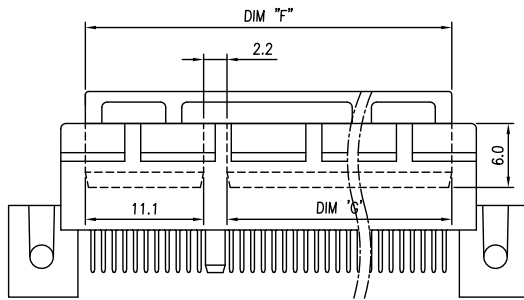
4

NOTES:

- MATERIAL:
INSERT CAP: THERMOPLASTIC LCP OR PA9T,
UL94V-0; BLACK COLOR.
- THIS IS AVAILABLE FOR 8X PCI-E ONLY.
P/N: 10025026-XXXX2CLF.



DIMENSIONS			
POSITION	F	G	STATUS
36	20.4	7.1	N/A
64	34.4	21.1	N/A
98	51.4	38.1	AVAILABLE
164	84.4	71.1	N/A



mat'l. code				tolerances unless otherwise specified		CUSTOMER COPY		FCI	
ltr	ecn no	dr	date	linear	.X ± 0.30	projection	title	www.fciconnect.com	
H					.XX ± 0.20		PCI EXPRESS STRADDLE MOUNT CARD EDGE ASSY		
				angles	.XXX ± 0.10			MM	product family
				dr	0° ± 2°	scale	size	dwg no	TWN
				enrg		N/A	A4	10025026	sheet
				chr	MAGGIE WU 03/13/03				5 of
				appd	RY LIU 03/13/03				
					JENN TSAO 03/13/03				
sheet index	revision								
	sheet								

1 | 2

3

4

ACAD

PDM: Rev:H

STATUS: Released

Printed: Jun 28, 2010

Tous droits strictement réservés. Reproduction ou communication à des tiers interdite sous quelque forme que ce soit sans autorisation écrite du propriétaire. Propriété de c. FCI. Droits de reproduction FCI.

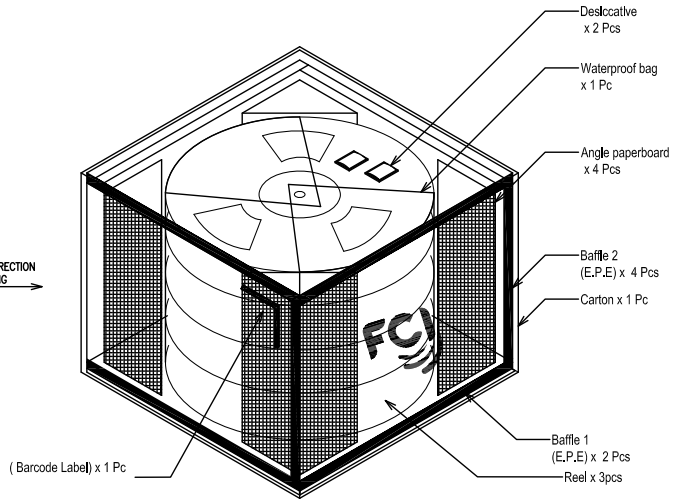
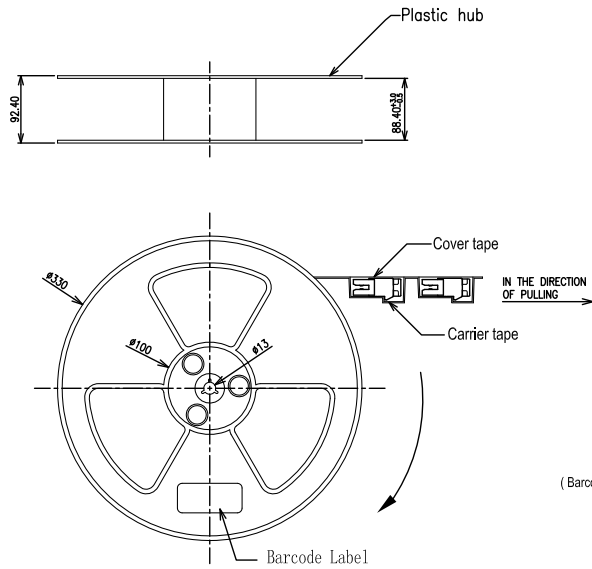


All rights strictly reserved. Reproduction or issue to third parties in any form whatever is not permitted without written authority from the proprietor. Property of FCI. Copyright FCI.

NOTE:

1. REEL MATERIAL : PS, BLACK
2. CARRIER MATERIAL : PS
3. COVER TAPE MATERIAL : PS
4. COVER TAPE REEL STRENGTH : 13"
5. QUANTITY : 150 PCS/REEL
6. Carton : 380(L) * 380(W) * 300(H) mm

Part No	NO. OF CONTACTS	98
10025026-XXXX(LF)	REEL/CARTON	3
	PCS/REEL	150
	QUANTITY(PCS)	450



mat'l. code				tolerances unless otherwise specified			CUSTOMER COPY		FCI		www.fciconnect.com	
ltr	ecn no	dr	date	linear	.X ± 0.38	projection	title PCI EXPRESS STRADDLE MOUNT CARD EDGE ASSY					
H					.XX ± 0.25		product family	PCI	code	TWN	sheet	
				angles	.XXX ± 0.10		MM	size	dwg no	10025026	6 of	
				dr	MAGGIE WU 03/13/03	scale	N/A	A4				
				engr	RY LIU 03/13/03							
				chr	RY LIU 03/13/03							
				appd	RY LIU 03/13/03							
sheet index	revision sheet											

ACAD

PDM: Rev:H

STATUS: Released

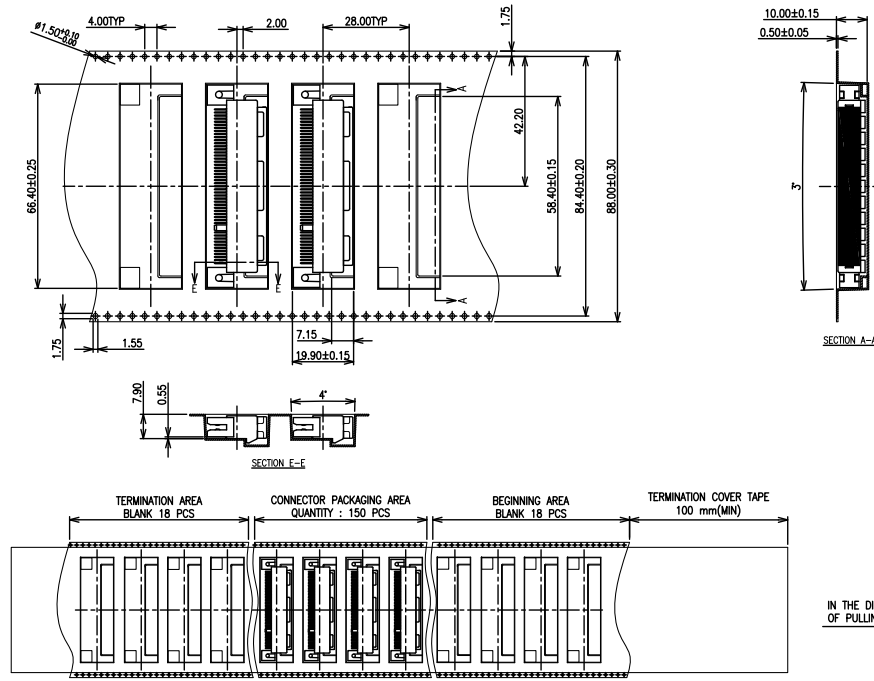
cage code 22526

Printed: Jun 28, 2010

Tous droits strictement réservés. Reproduction ou communication à des tiers interdite sous quelque forme que ce soit sans autorisation écrite du propriétaire. Propriété de c. FCI. Droits de reproduction FCI.



All rights strictly reserved. Reproduction or issue to third parties in any form whatever is not permitted without written authority from the proprietor. Property of FCI. Copyright FCI.



mat'l. code				tolerances unless otherwise specified		CUSTOMER COPY		FCI	
ltr	ecn no	dr	date	linear	.X ± 0.38	projection	title	www.fciconnect.com	
H					.XX ± 0.25		PCI EXPRESS STRADDLE MOUNT CARD EDGE ASSY		
				angles	.XXX ± 0.10			product family	PCI
				dr	0° ±2°	MM	size	dwg no	TWN
				enrg		scale	A4	10025026	sheet
				chr	MAGGIE WU 03/13/03	N/A			7 of
				appd	RY LIU 03/13/03				
sheet index	revision								
	sheet								

ACAD

PDM: Rev:H

STATUS: Released

cage code 22526

Printed: Jun 28, 2010