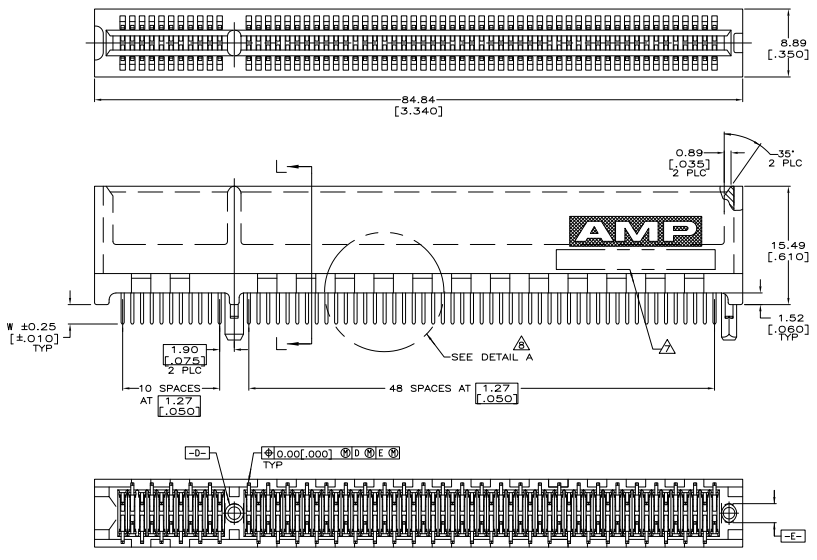
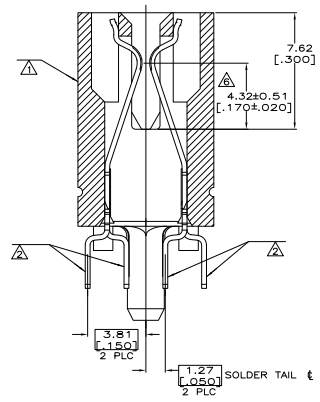
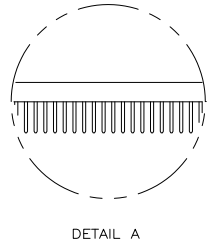


THIS DRAWING IS UNPUBLISHED. ALL RIGHTS RESERVED.
 © 2008 TYCO ELECTRONICS CORPORATION. ALL RIGHTS RESERVED.

REV	DATE	DESCRIPTION	BY	CHK
AA	00			
C		E20-07-026789	13M047	LAM AF



SEE SHEET 2 FOR HOLE PATTERN



SECTION L-L
SCALE: 8:1

- △ HOUSING: HIGH TEMPERATURE THERMOPLASTIC. COLOR - NATURAL.
- △ CONTACT: PHOSPHOR BRONZE.
- △ CONTACT FINISH: .001269[.000050] MIN NICKEL ALL OVER. GOLD FLASH OVER NICKEL IN CONTACT AREA. .002537[.000100] MIN TIN OVER NICKEL ON SOLDER TAILS.
- △ CONTACT FINISH: .001269[.000050] MIN NICKEL ALL OVER. .000375[.000015] MIN GOLD OVER NICKEL IN CONTACT AREA. .002537[.000100] MIN TIN OVER NICKEL ON SOLDER TAILS.
- △ CONTACT FINISH: .001269[.000050] MIN NICKEL ALL OVER. .000757[.000030] MIN GOLD OVER NICKEL IN CONTACT AREA. .002537[.000100] MIN TIN OVER NICKEL ON SOLDER TAILS.
- △ DISTANCE FROM CONTACT POINT TO BOTTOM OF CARD SLOT.
- △ TE PART NUMBER, DATE CODE AND CSA LOGO SHOULD BE MARKED ON THE SIDE OF THE HOUSING NEAR THE AMP LOGO.
- △ CORED OR SOLID SIDE WALLS ARE AT DISCRETION OF TYCO ELECTRONICS.

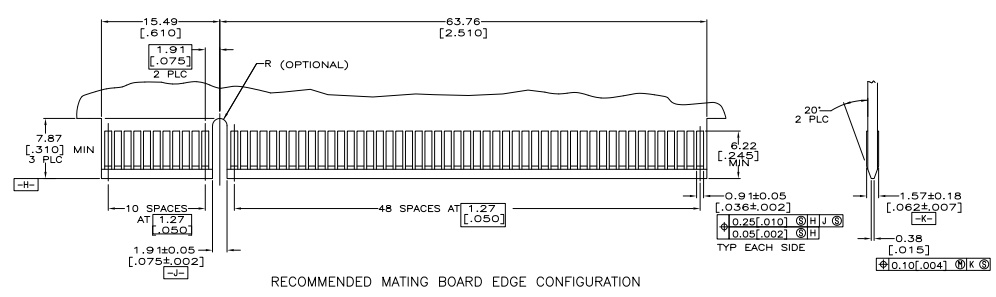
3.66 [.140]	△	1-5145154-2
3.18 [.125]	△	5145154-B
2.54 [.100]	△	5145154-4
2.54 [.100]	△	5145154-2
2.54 [.100]	△	5145154-1
W	FINISH	PART NUMBER

THIS DRAWING IS A CONTROLLED DOCUMENT.

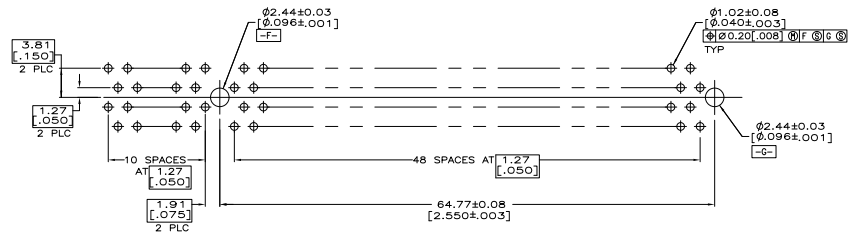
INCHES	FRONTM	23 NOV 01	TYCO ELECTRONICS CORPORATION
MILLIMETERS	FRONTM	23 NOV 01	Harrisburg, Pa 17105-3008
PROJECT TITLE	108-14034		
REV	1.27 [0.050] SERIES, CARD EDGE		
DATE	114-26012		
SIZE	A1	00779	5145154
CUSTOMER DRAWING			

THIS DRAWING IS UNPUBLISHED. ALL RIGHTS RESERVED.
 © 2008 Tyco Electronics Corporation

REV	DATE	DESCRIPTION	BY	APP'D
AA	00	SEE SHEET 1		



RECOMMENDED MATING BOARD EDGE CONFIGURATION



RECOMMENDED CONNECTOR MOUNTING HOLE PATTERN
(CONNECTOR SIDE SHOWN)

THIS DRAWING IS A CONTROLLED DOCUMENT.		DATE: 23 MAY 04	REV: 00	REVISED BY: FRANTUM	DATE: 23 MAY 04	REVISED BY: FRANTUM	DATE: 23 MAY 04	REVISED BY: FRANTUM	DATE: 23 MAY 04
UNLESS OTHERWISE SPECIFIED, DIMENSIONS ARE IN INCHES.		PROJECT NAME: 108-14034		DATE: 114-26012		REVISED BY: FRANTUM		DATE: 23 MAY 04	
DRAWN BY: FRANTUM		CHECKED BY: FRANTUM		APPROVED BY: FRANTUM		DATE: 114-26012		REVISED BY: FRANTUM	
TITLE: CONNECTOR ASSEMBLY, 60 DUAL POSITION, 1.27 [0.050] SERIES, CARD EDGE		PART NUMBER: 108-14034		REVISED BY: FRANTUM		DATE: 114-26012		REVISED BY: FRANTUM	
CUSTOMER DRAWING		DATE: 114-26012		REVISED BY: FRANTUM		DATE: 114-26012		REVISED BY: FRANTUM	
DRAWN BY: FRANTUM		CHECKED BY: FRANTUM		APPROVED BY: FRANTUM		DATE: 114-26012		REVISED BY: FRANTUM	