



(1,27mm) .050"

FFSD, FFMD SERIES

FFSD-20-S-10.00-01-N



FFMD-20-T-02.00-01-N-R

# TIGER EYE™ FLAT IDC WIRE CABLES

## SPECIFICATIONS

**Mates with:**  
FTS, FTSH, EHF,  
SHF, ESHF

For complete specifications  
see [www.samtec.com?FFSD](http://www.samtec.com?FFSD)

### FFSD

**Insulator Material:** PBT  
**Contact:** BeCu  
**Plating:** 10µ" (0,25µm) Au over 50µ" (1,27µm) Ni on contact area; Sn over 50µ" (1,27µm) Ni on balance



**Wire:** 30 AWG  
**Current Rating:** 0.5A  
**Operating Temp Range:** -40°C to +105°C  
**Lead Size Accepted:** (0,41mm) .016" SQ  
**Contact Resistance:** 15 mΩ maximum delta from initial  
**Insertion Depth:** (2,64mm) .104" to (3,17mm) .125"  
**Insertion Force:** (Single contact only) 5oz (1,39N) avg.  
**Withdrawal Force:** (Single contact only) 3oz (0,83N) avg.  
**RoHS Compliant:** Yes

**Note:** This Series is non-standard, non-returnable.

## SPECIFICATIONS

**Mates with:**  
FLE\*, SFMC\*

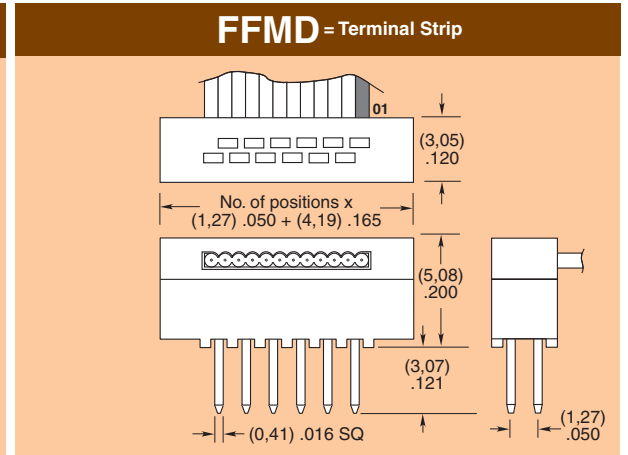
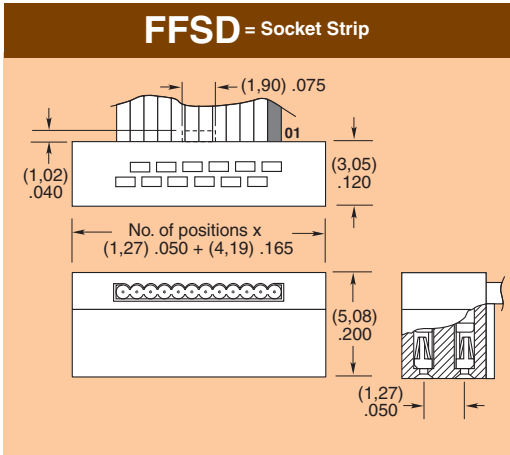
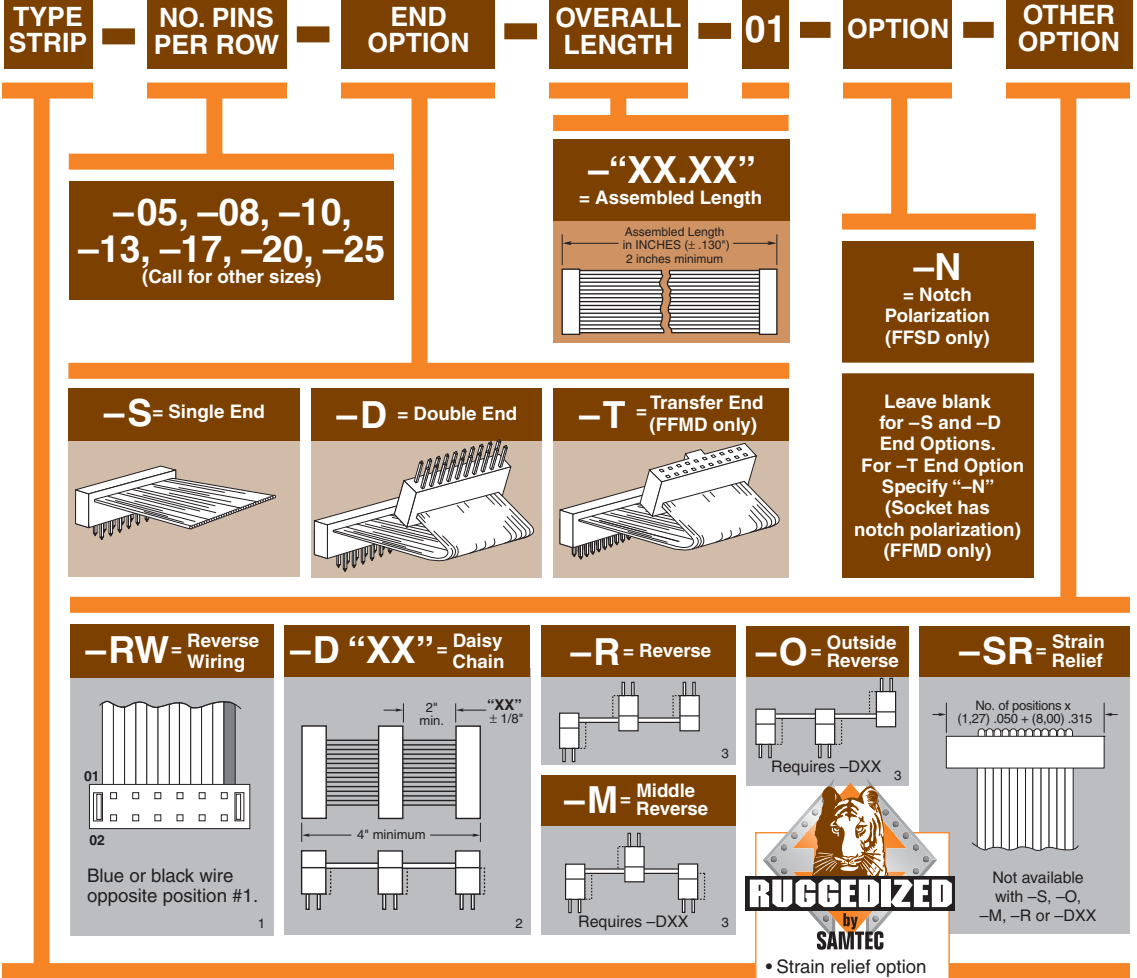
For complete specifications  
see [www.samtec.com?FFMD](http://www.samtec.com?FFMD)

### FFMD

**Insulator Material:** Black Glass Filled Polyester  
**Terminal:** BeCu  
**Plating:** Sn over 50µ" (1,27µm) Ni  
**Wire:** 30 AWG  
**Current Rating:** 0.5A  
**Operating Temp Range:** -40°C to +105°C  
**RoHS Compliant:** Yes

\*Note: Standard FFMD callout will not mate with FLE, SFMC. Must use gold plated callouts. (See drawing on web.)  
When mated with a socket, Wire 1 mates with Pin 2; Wire 2 mates with Pin 1, etc.

**Note:** This Series is non-standard, non-returnable.



Due to technical progress, all designs, specifications and components are subject to change without notice.

[WWW.SAMTEC.COM](http://WWW.SAMTEC.COM)