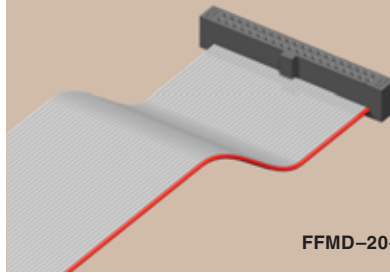




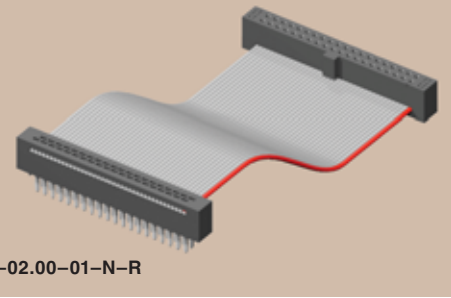
(1,27mm) .050"

FFSD, FFMD SERIES

FFSD-20-S-10.00-01-N



FFMD-20-T-02.00-01-N-R



TIGER EYE™ FLAT IDC WIRE CABLES

SPECIFICATIONS

Mates with:
FTS, FTSH, EHF,
SHF, ESHF

For complete specifications
see www.samtec.com?FFSD

FFSD

Insulator Material: PBT



Contact:

BeCu

Plating:

10µ" (0,25µm) Au over 50µ"
(1,27µm) Ni on contact area;
Sn over 50µ" (1,27µm) Ni
on balance

Wire:

30 AWG

Current Rating:

0.5A

Operating Temp Range:

-40°C to +105°C

Lead Size Accepted:

(0,41mm) .016" SQ

Contact Resistance:

15 mΩ maximum

delta from initial

Insertion Depth:

(2,64mm) .104" to

(3,17mm) .125"

Insertion Force:

(Single contact only)

5oz (1,39N) avg.

Withdrawal Force:

(Single contact only)

3oz (0,83N) avg.

RoHS Compliant:

Yes

Note: This Series is

non-standard, non-returnable.

SPECIFICATIONS

Mates with:

FLE*, SFMC*

For complete specifications
see www.samtec.com?FFMD

FFMD

Insulator Material: Black Glass Filled Polyester



Terminal:

BeCu

Plating:

Sn over 50µ" (1,27µm) Ni

Wire:

30 AWG

Current Rating:

0.5A

Operating Temp Range:

-40°C to +105°C

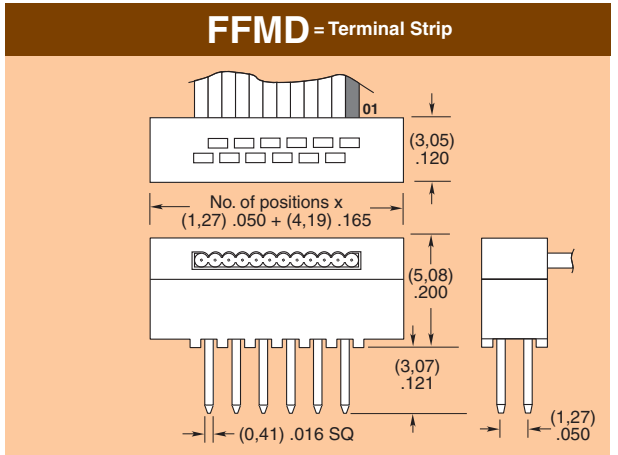
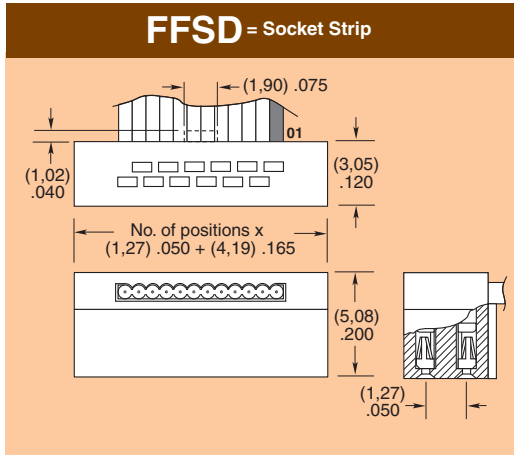
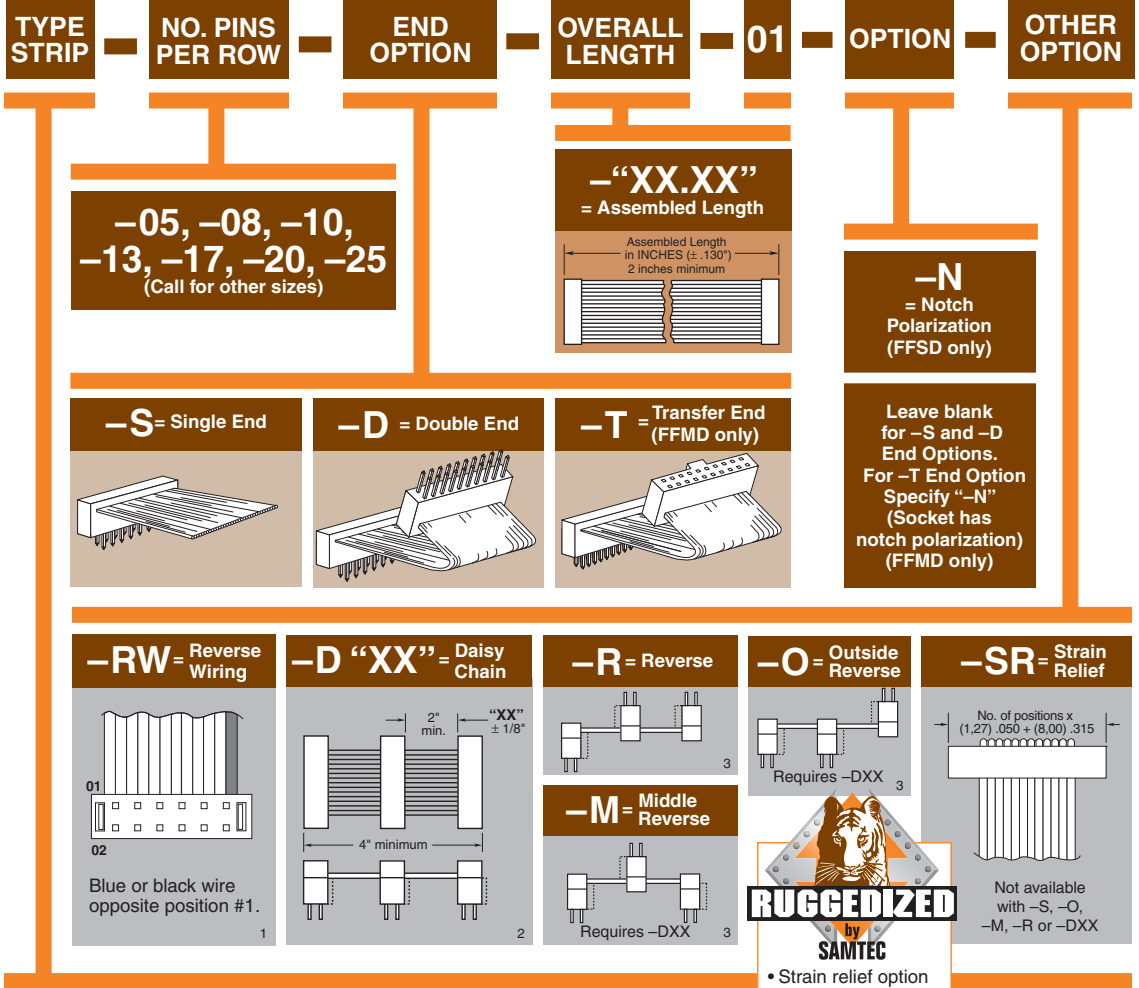
RoHS Compliant:

Yes

***Note:** Standard FFMD callout
will not mate with FLE, SFMC.
Must use gold plated callouts.
(See drawing on web.)
When mated with a socket,
Wire 1 mates with Pin 2;
Wire 2 mates with Pin 1, etc.

Note: This Series is

non-standard, non-returnable.



Due to technical progress, all designs, specifications and components are subject to change without notice.

WWW.SAMTEC.COM