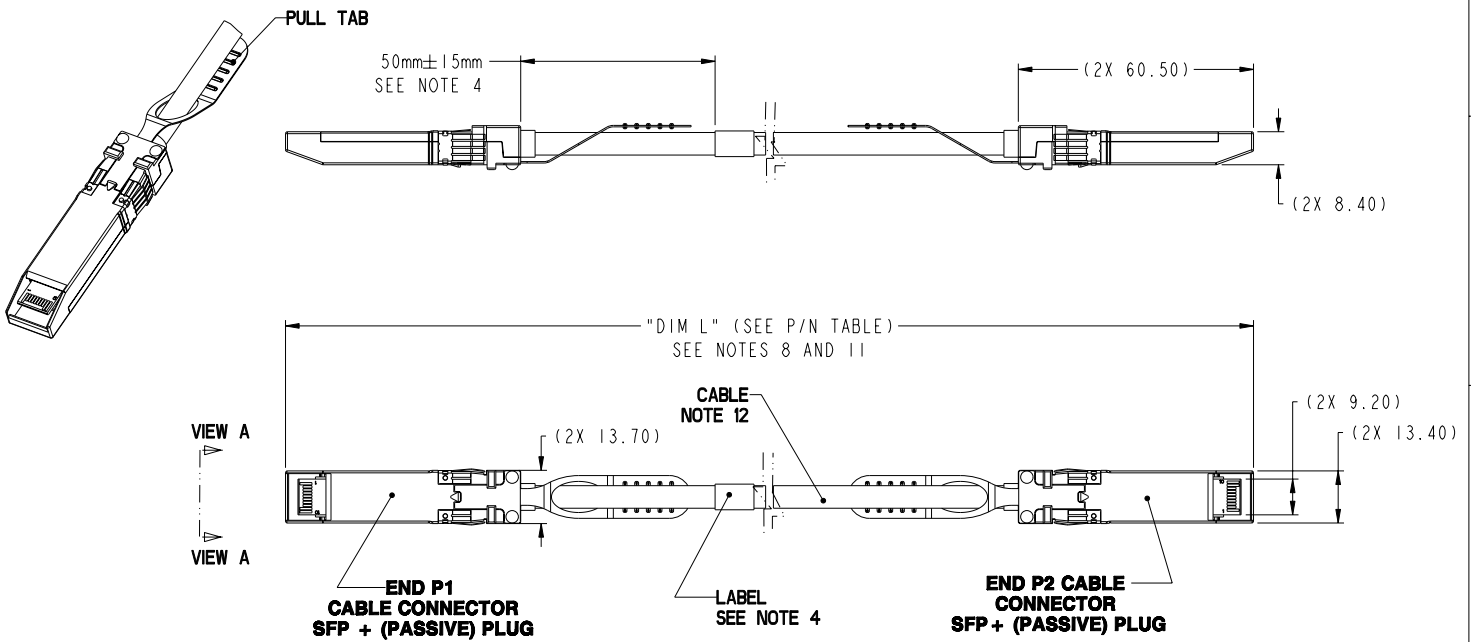


| Product number    | DESCRIPTION       | NOTES      |
|-------------------|-------------------|------------|
| I0110818-XXXXLF   | NON-HF            | SEE SHT. 3 |
| I0110818-XXXXHFLF | HALOGEN FREE (HF) | SEE SHT. 4 |



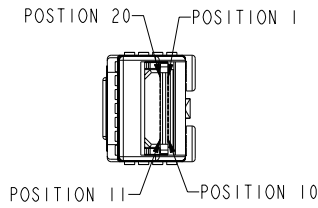
|                    |             |            |  |   |          |               |            |        |              |       |      |   |
|--------------------|-------------|------------|--|---|----------|---------------|------------|--------|--------------|-------|------|---|
| www.fciconnect.com |             |            |  | surface   | -        | tolerance std | projection | mm     |              |       |      |   |
|                    |             |            |  | TOLERANCES UNLESS OTHERWISE SPECIFIED                       |          |               |            |        |              |       |      |   |
| Dr                 | D. INGRAM   | 2009-12-15 |  | ANGULAR   | LINEAR   | 0.X           | ±0.3       | size   | A3           | Scale | 3:10 |   |
| Eng                | B. BRUBAKER | 2009-12-15 |  | 0°  | ±2°      | 0.XX          | ±0.10      | ECN    | V10-0242     |       |      |   |
| Chr                | B. BRUBAKER | 2009-12-15 |  | Product family  |          | SFP+ PLUG     | Spec ref   |        |              |       |      |   |
| Appr               | B. BRUBAKER | 2009-12-15 |  | Product family  |          | SFP+ PLUG     | Spec ref   |        |              |       |      |   |
|                    |             |            |  | <b>FINAL ASSEMBLY - STANDARD</b><br>SFP+ (PASSIVE) ASSEMBLY |          |               |            | dwg no | 10110818     |       | Rev. | B |
|                    |             |            |  | catalog no  | CUSTOMER |               |            |        | sheet 1 of 5 |       |      |   |

| rev | ecn no   | dr  | date       |
|-----|----------|-----|------------|
| A   | V10-0036 | DAI | 2010-01-25 |
| B   | V10-0242 | DHL | 2010-07-19 |
| -   | -        | -   | -          |
| -   | -        | -   | -          |
| -   | -        | -   | -          |
| -   | -        | -   | -          |

Copyright FCI.

| Product number    | DESCRIPTION       | NOTES      |
|-------------------|-------------------|------------|
| 10110818-XXXXLF   | NON-HF            | SEE SHT. 3 |
| 10110818-XXXXHFLF | HALOGEN FREE (HF) | SEE SHT. 4 |

| WIRING LIST (SEE NOTE 5) |        |        |          |        |  |
|--------------------------|--------|--------|----------|--------|--|
| END P1                   |        |        | END P2   |        |  |
| POSITION                 | SYMBOL |        | POSITION | SYMBOL |  |
| 12                       | RD-    | ◀----- | 19       | TD-    |  |
| 13                       | RD+    | ◀----- | 18       | TD+    |  |
| 18                       | TD+    | -----▶ | 13       | RD+    |  |
| 19                       | TD-    | -----▶ | 12       | RD-    |  |



**VIEW A (P1)**  
**SCALE 2:1**

| LOW SPEED SIGNALS<br>P1 & P2 |            |
|------------------------------|------------|
| END P1                       |            |
| POSITION                     | SYMBOL     |
| 1                            | VeeT       |
| 2                            | TX_Fault   |
| 3                            | Tx_Disable |
| 4                            | MOD_DEF(2) |
| 5                            | MOD_DEF(1) |
| 6                            | MOD_DEF(0) |
| 7                            | RateSelect |
| 8                            | LOS        |
| 9                            | VeeR       |
| 10                           | VeeR       |
| 11                           | VeeR       |
| 14                           | VeeR       |
| 15                           | VccR       |
| 16                           | VccT       |
| 17                           | VeeT       |
| 20                           | VeeT       |

|  |            |                           |          |          |       |        |
|--|------------|---------------------------|----------|----------|-------|--------|
|  | TITLE      | FINAL ASSEMBLY - STANDARD | dwg no   | 10110818 | Rev.  | B      |
|  |            | SFP+ (PASSIVE) ASSEMBLY   |          |          |       |        |
|  | CATALOG NO |                           | CUSTOMER |          | SHEET | 2 of 5 |

REV F - 2006-04-11

**PDM: Rev:B** STATUS: **Released** Printed: Dec 23, 2010

Copyright FCI

| PRODUCT NUMBER  | LENGTH (Meters)<br>"DIM L" | AWG | NOTES        |         |
|-----------------|----------------------------|-----|--------------|---------|
| I0110818-2005LF | 0.5                        | 30  | NOTE 13      |         |
| I0110818-2010LF | 1.0                        | 30  |              |         |
| I0110818-2015LF | 1.5                        | 30  |              |         |
| I0110818-2020LF | 2.0                        | 30  |              |         |
| I0110818-2025LF | 2.5                        | 30  |              |         |
| I0110818-2030LF | 3.0                        | 30  |              |         |
| I0110818-2035LF | 3.5                        | 30  |              |         |
| I0110818-2040LF | 4.0                        | 30  |              |         |
| I0110818-3005LF | 0.5                        | 28  |              | NOTE 13 |
| I0110818-3010LF | 1.0                        | 28  |              |         |
| I0110818-3015LF | 1.5                        | 28  |              |         |
| I0110818-3020LF | 2.0                        | 28  |              |         |
| I0110818-3025LF | 2.5                        | 28  |              |         |
| I0110818-3030LF | 3.0                        | 28  |              |         |
| I0110818-3035LF | 3.5                        | 28  |              |         |
| I0110818-3040LF | 4.0                        | 28  |              |         |
| I0110818-3045LF | 4.5                        | 28  |              |         |
| I0110818-3050LF | 5.0                        | 28  |              |         |
| I0110818-4005LF | 0.5                        | 26  | NOTE 13      |         |
| I0110818-4010LF | 1.0                        | 26  | NOTE 13      |         |
| I0110818-4015LF | 1.5                        | 26  | NOTE 13      |         |
| I0110818-4020LF | 2.0                        | 26  | NOTE 13      |         |
| I0110818-4025LF | 2.5                        | 26  | NOTE 13      |         |
| I0110818-4030LF | 3.0                        | 26  | NOTE 13      |         |
| I0110818-4035LF | 3.5                        | 26  | NOTE 13      |         |
| I0110818-4040LF | 4.0                        | 26  | NOTE 13      |         |
| I0110818-4045LF | 4.5                        | 26  | NOTE 13      |         |
| I0110818-4050LF | 5.0                        | 26  | NOTE 13      |         |
| I0110818-4055LF | 5.5                        | 26  | NOTE 13      |         |
| I0110818-4060LF | 6.0                        | 26  | NOTE 13      |         |
| I0110818-4065LF | 6.5                        | 26  | NOTE 10 & 13 |         |
| I0110818-4070LF | 7.0                        | 26  | NOTE 10 & 13 |         |

| PRODUCT NUMBER  | LENGTH (Meters)<br>"DIM L" | AWG | NOTES        |
|-----------------|----------------------------|-----|--------------|
| I0110818-5005LF | 0.5                        | 24  | NOTE 13      |
| I0110818-5010LF | 1.0                        | 24  | NOTE 13      |
| I0110818-5015LF | 1.5                        | 24  | NOTE 13      |
| I0110818-5020LF | 2.0                        | 24  | NOTE 13      |
| I0110818-5025LF | 2.5                        | 24  | NOTE 13      |
| I0110818-5030LF | 3.0                        | 24  | NOTE 13      |
| I0110818-5035LF | 3.5                        | 24  | NOTE 13      |
| I0110818-5040LF | 4.0                        | 24  | NOTE 13      |
| I0110818-5045LF | 4.5                        | 24  | NOTE 13      |
| I0110818-5050LF | 5.0                        | 24  | NOTE 13      |
| I0110818-5055LF | 5.5                        | 24  | NOTE 13      |
| I0110818-5060LF | 6.0                        | 24  | NOTE 13      |
| I0110818-5065LF | 6.5                        | 24  | NOTE 13      |
| I0110818-5070LF | 7.0                        | 24  | NOTE 13      |
| I0110818-5075LF | 7.5                        | 24  | NOTE 13      |
| I0110818-5080LF | 8.0                        | 24  | NOTE 10 & 13 |
| I0110818-5085LF | 8.5                        | 24  | NOTE 10 & 13 |
| I0110818-5090LF | 9.0                        | 24  | NOTE 10 & 13 |
| I0110818-5095LF | 9.5                        | 24  | NOTE 10 & 13 |
| I0110818-5100LF | 10.0                       | 24  | NOTE 10 & 13 |

**NON-HALOGEN FREE CABLE ASSEMBLY PART NUMBERS**

|   |            |                           |          |          |              |   |
|---|------------|---------------------------|----------|----------|--------------|---|
|  | title      | FINAL ASSEMBLY - STANDARD | dwg no   | I0110818 | Rev.         | B |
|   |            | SFP+ (PASSIVE) ASSEMBLY   |          |          |              |   |
|   | catalog no |                           | CUSTOMER |          | sheet 3 of 5 |   |

**PDM: Rev:B** STATUS:Released Printed: Dec 23, 2010

| PRODUCT NUMBER    | LENGTH (Meters)<br>DIM L | AWG | NOTES        |
|-------------------|--------------------------|-----|--------------|
| 10110818-2005HFLF | 0.5                      | 30  | NOTE 12      |
| 10110818-2010HFLF | 1.0                      | 30  | NOTE 12      |
| 10110818-2015HFLF | 1.5                      | 30  | NOTE 12      |
| 10110818-2020HFLF | 2.0                      | 30  | NOTE 12      |
| 10110818-2025HFLF | 2.5                      | 30  | NOTE 12      |
| 10110818-2030HFLF | 3.0                      | 30  | NOTE 12      |
| 10110818-2035HFLF | 3.5                      | 30  | NOTE 12      |
| 10110818-2040HFLF | 4.0                      | 30  | NOTE 12      |
| 10110818-3005HFLF | 0.5                      | 28  | NOTE 12      |
| 10110818-3010HFLF | 1.0                      | 28  | NOTE 12      |
| 10110818-3015HFLF | 1.5                      | 28  | NOTE 12      |
| 10110818-3020HFLF | 2.0                      | 28  | NOTE 12      |
| 10110818-3025HFLF | 2.5                      | 28  | NOTE 12      |
| 10110818-3030HFLF | 3.0                      | 28  | NOTE 12      |
| 10110818-3035HFLF | 3.5                      | 28  | NOTE 12      |
| 10110818-3040HFLF | 4.0                      | 28  | NOTE 12      |
| 10110818-3045HFLF | 4.5                      | 28  | NOTE 12      |
| 10110818-3050HFLF | 5.0                      | 28  | NOTE 12      |
| 10110818-4005HFLF | 0.5                      | 26  | NOTE 12      |
| 10110818-4010HFLF | 1.0                      | 26  | NOTE 12      |
| 10110818-4015HFLF | 1.5                      | 26  | NOTE 12      |
| 10110818-4020HFLF | 2.0                      | 26  | NOTE 12      |
| 10110818-4025HFLF | 2.5                      | 26  | NOTE 12      |
| 10110818-4030HFLF | 3.0                      | 26  | NOTE 12      |
| 10110818-4035HFLF | 3.5                      | 26  | NOTE 12      |
| 10110818-4040HFLF | 4.0                      | 26  | NOTE 12      |
| 10110818-4045HFLF | 4.5                      | 26  | NOTE 12      |
| 10110818-4050HFLF | 5.0                      | 26  | NOTE 12      |
| 10110818-4055HFLF | 5.5                      | 26  | NOTE 12      |
| 10110818-4060HFLF | 6.0                      | 26  | NOTE 12      |
| 10110818-4065HFLF | 6.5                      | 26  | NOTE 10 & 12 |
| 10110818-4070HFLF | 7.0                      | 26  | NOTE 10 & 12 |

| PRODUCT NUMBER    | LENGTH (Meters)<br>DIM L | AWG | NOTES        |
|-------------------|--------------------------|-----|--------------|
| 10110818-5005HFLF | 0.5                      | 24  | NOTE 12      |
| 10110818-5010HFLF | 1.0                      | 24  | NOTE 12      |
| 10110818-5015HFLF | 1.5                      | 24  | NOTE 12      |
| 10110818-5020HFLF | 2.0                      | 24  | NOTE 12      |
| 10110818-5025HFLF | 2.5                      | 24  | NOTE 12      |
| 10110818-5030HFLF | 3.0                      | 24  | NOTE 12      |
| 10110818-5035HFLF | 3.5                      | 24  | NOTE 12      |
| 10110818-5040HFLF | 4.0                      | 24  | NOTE 12      |
| 10110818-5045HFLF | 4.5                      | 24  | NOTE 12      |
| 10110818-5050HFLF | 5.0                      | 24  | NOTE 12      |
| 10110818-5055HFLF | 5.5                      | 24  | NOTE 12      |
| 10110818-5060HFLF | 6.0                      | 24  | NOTE 12      |
| 10110818-5065HFLF | 6.5                      | 24  | NOTE 12      |
| 10110818-5070HFLF | 7.0                      | 24  | NOTE 12      |
| 10110818-5075HFLF | 7.5                      | 24  | NOTE 12      |
| 10110818-5080HFLF | 8.0                      | 24  | NOTE 10 & 12 |
| 10110818-5085HFLF | 8.5                      | 24  | NOTE 10 & 12 |
| 10110818-5090HFLF | 9.0                      | 24  | NOTE 10 & 12 |
| 10110818-5095HFLF | 9.5                      | 24  | NOTE 10 & 12 |
| 10110818-5100HFLF | 10.0                     | 24  | NOTE 10 & 12 |

**HALOGEN FREE CABLE ASSEMBLY PART NUMBERS**

|   |            |                           |        |          |              |   |
|---|------------|---------------------------|--------|----------|--------------|---|
|  | title      | FINAL ASSEMBLY - STANDARD | dwg no | 10110818 | Rev.         | B |
|   |            | SFP+ (PASSIVE) ASSEMBLY   |        |          |              |   |
|   | catalog no |                           |        | CUSTOMER | sheet 4 of 5 |   |

PDM: Rev:B STATUS:Released Printed: Dec 23, 2010

REV F - 2006-04-17

Copyright FCI

| Product number    | DESCRIPTION       | NOTES      |
|-------------------|-------------------|------------|
| 10110818-XXXXLF   | NON-HF            | SEE SHT. 3 |
| 10110818-XXXXHFLF | HALOGEN FREE (HF) | SEE SHT. 4 |

NOTES:

1 - MATERIAL:  
 BACKSHELLS: ZINC ALLOY/ COPPER UNDERPLATE/ NICKEL OVERPLATE  
 PULL TAB: THERMOPLASTIC POLYMER  
 RELEASE SPRING: STAINLESS STEEL  
 EMI GASKET: STAINLESS STEEL  
 COLLET: BRASS  
 SCREWS: STAINLESS STEEL  
 PADDLE CARD: PRINTED CIRCUIT SUBSTRATE  
 JET MELT: POLYIMIDE POLYMER

2 - THIS PRODUCT MEETS THE RESTRICTION OF HAZARDOUS SUBSTANCES IN ELECTRICAL AND ELECTRONIC EQUIPMENT (RoHS) DIRECTIVE (2002/95/EC)

3 - IMPEDANCE: 100 OHMS DIFFERENTIAL.

4 - UNLESS OTHERWISE SPECIFIED LABEL POSITION IS TO BE 50mm FROM REAR OF CONNECTOR.

LABEL DETAILS:  
 MANUFACTURER CODE OR NAME COUNTRY ORIGIN  
 FCI P/N  
 REVISION  
 DATE CODE (YY/MM/DD FORMAT) - SERIAL NUMBER

FONT SHALL BE CLEARLY VISIBLE AND BLACK IN COLOR.

5 - ALL CABLE ASSEMBLIES SHALL BE 100% TESTED FOR CONTINUITY AS DEFINED IN WIRING LIST.  
 ALL CABLE ASSEMBLIES SHALL BE 100% HI-POT TESTED.

6 - CONFORMS TO FCI PRODUCT SPECIFICATION: GS-12-616.

7 - PACKAGING OF LEAD FREE PRODUCTS MEETS LABELING AND PACKAGING PER SPECIFICATION GS-14-920.  
 PACKAGE CABLE ASSEMBLIES PER GS-14-1272.

8 - THIS DIMENSION IS A FINISHED PRODUCT LENGTH.

9. A "△" SYMBOL WILL BE NEXT TO ANY DIMENSION, VIEW, OR NOTE WHICH HAS BEEN MODIFIED WITH THE CURRENT DRAWING REVISION. THE CURRENT REVISION WILL BE SHOWN IN THE SYMBOL.

10 - LONGER LENGTH APPLICATIONS REQUIRE HOST SYSTEM PREMPHASIS AND/OR EQUALIZATION.

11 - UNLESS OTHERWISE SPECIFIED ASSEMBLED LENGTH TOLERANCE IS TO BE:  
 < 1 METER = ±25.0mm  
 > 1 METER TO 10 METERS = ±2% OF "DIM L"

12 - "HF" PRODUCT NUMBERS DESIGNATE THE USE OF HALOGEN FREE RAW CABLE.

13 - HALOGEN FREE RAW CABLE CAN BE USED AS A SUBSTITUTE ON NON-HF PRODUCT NUMBERS.

|   |            |                           |        |          |       |        |
|---|------------|---------------------------|--------|----------|-------|--------|
|  | title      | FINAL ASSEMBLY - STANDARD | dwg no | 10110818 | Rev.  | B      |
|   | catalog no | SFP+ (PASSIVE) ASSEMBLY   | -      | CUSTOMER | sheet | 5 of 5 |

REV F - 2006-04-17

FDM: Rev:B STATUS: Released Printed: Dec 23, 2010