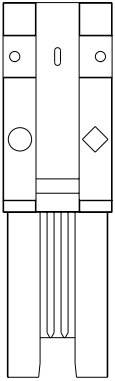


| rev | ecn no | dr | date |
|-----|----------|-----|------------|
| A | V08-0308 | DAI | 2008-09-08 |
| B | V08-0491 | DAI | 2008-11-11 |
| C | N09-0146 | RE | 2009-05-20 |
| D | V10-0243 | DAI | 2010-05-26 |
| E | V10-0364 | DAI | 2010-09-29 |

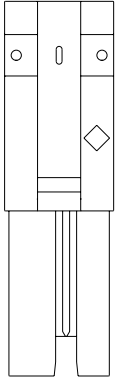
| | | | | | | | |
|---------------------------------------|------------|------------|----------------|---------------|--------|----------------|--------------|
| www.fciconnect.com | | surface | - | tolerance std | --- | projection | MM |
| TOLERANCES UNLESS OTHERWISE SPECIFIED | | | | | | size | A3 |
| Dr | STU STONER | 2008-02-05 | ANGULAR | 0.X | ±0.3 | Scale | 1:1 |
| Eng | J SHUEY | 2008-02-05 | LINEAR | 0.XX | ±0.10 | ECN | V10-0364 |
| Chr | J SHUEY | 2008-02-05 | 0° ±2° | 0.XXX | ±0.050 | Product family | C&A |
| Appr | J SHUEY | 2008-02-05 | Product family | | C&A | Spec ref | --- |
| FCI | | | | | | dwg no | 10084749 |
| Mini SAS 2.0/SATA (CRKT) | | | | | | Rev. | E |
| catalog no | | | | | | CUSTOMER | sheet 1 of 6 |

REV F - 2008-04-11

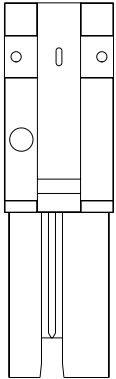
1 2 3 4



KEY SLOT 2, 4 & 6
 ○ ◇ UNIVERSIAL PORT



KEY SLOT 2 & 4
 ◇ OUT PORT



KEY SLOT 4 & 6
 ○ IN PORT



MINI SAS 2.0

| PRODUCT NUMBER SEE NOTE 4 | DESCRIPTION | GAUGE | "DIM L" LENGTH | END P1 KEY SLOT | END P2 KEY SLOT | IDENTIFIER |
|------------------------------|-----------------------|--------|-------------------|--------------------|--------------------|---|
| 10084749-M060002LF | X4 SAS CABLE ASSEMBLY | 24 AWG | 6M | 4, 6 | 4, 6 | SUBSTRACTIVE ROUTING (IN PORT), SAS |
| 10084749-N040002LF | X4 SAS CABLE ASSEMBLY | 26 AWG | 4M | 4, 6 | 4, 6 | |
| 10084749-N050002LF | X4 SAS CABLE ASSEMBLY | 26 AWG | 5M | 4, 6 | 4, 6 | |
| 10084749-P010002LF | X4 SAS CABLE ASSEMBLY | 28 AWG | 1M | 4, 6 | 4, 6 | |
| 10084749-P020002LF | X4 SAS CABLE ASSEMBLY | 28 AWG | 2M | 4, 6 | 4, 6 | |
| 10084749-P030002LF | X4 SAS CABLE ASSEMBLY | 28 AWG | 3M | 4, 6 | 4, 6 | |
| 10084749-M060003LF | X4 SAS CABLE ASSEMBLY | 24 AWG | 6M | 2, 4, 6 | 2, 4, 6 | UNIVERSAL KEY, SAS |
| 10084749-N040003LF | X4 SAS CABLE ASSEMBLY | 26 AWG | 4M | 2, 4, 6 | 2, 4, 6 | |
| 10084749-N050003LF | X4 SAS CABLE ASSEMBLY | 26 AWG | 5M | 2, 4, 6 | 2, 4, 6 | |
| 10084749-P010003LF | X4 SAS CABLE ASSEMBLY | 28 AWG | 1M | 2, 4, 6 | 2, 4, 6 | |
| 10084749-P015003LF | X4 SAS CABLE ASSEMBLY | 28 AWG | 1.5M | 2, 4, 6 | 2, 4, 6 | |
| 10084749-P020003LF | X4 SAS CABLE ASSEMBLY | 28 AWG | 2M | 2, 4, 6 | 2, 4, 6 | |
| 10084749-P025003LF | X4 SAS CABLE ASSEMBLY | 28 AWG | 2.5M | 2, 4, 6 | 2, 4, 6 | SAS, TABLE ROUTING (OUT PORT), TO SUBSTRACTIVE ROUTING (IN PORT) |
| 10084749-P030003LF | X4 SAS CABLE ASSEMBLY | 28 AWG | 3M | 2, 4, 6 | 2, 4, 6 | |
| 10084749-M060006LF | X4 SAS CABLE ASSEMBLY | 24 AWG | 6M | 2, 4 | 4, 6 | |
| 10084749-N010006LF | X4 SAS CABLE ASSEMBLY | 26 AWG | 1M | 2, 4 | 4, 6 | |
| 10084749-N030006LF | X4 SAS CABLE ASSEMBLY | 26 AWG | 3M | 2, 4 | 4, 6 | |
| 10084749-N040006LF | X4 SAS CABLE ASSEMBLY | 26 AWG | 4M | 2, 4 | 4, 6 | |
| 10084749-N050006LF | X4 SAS CABLE ASSEMBLY | 26 AWG | 5M | 2, 4 | 4, 6 | SAS, TABLE ROUTING (OUT PORT), TO SUBSTRACTIVE ROUTING (IN PORT) |
| 10084749-P010006LF | X4 SAS CABLE ASSEMBLY | 28 AWG | 1M | 2, 4 | 4, 6 | |
| 10084749-P020006LF | X4 SAS CABLE ASSEMBLY | 28 AWG | 2M | 2, 4 | 4, 6 | |
| 10084749-P030006LF | X4 SAS CABLE ASSEMBLY | 28 AWG | 3M | 2, 4 | 4, 6 | |

MINI SAS 2.0 KEYING OPTIONS

| | | |
|--|---|---------------------------|
| | FCI TITLE FINAL ASSEMBLY - ALTERNATE CABLE Mini SAS 2.0/SATA (CRKT) | dwg no 10084749 Rev. E |
| | catalog no - | CUSTOMER sheet 2 of 6 |
| | FDM: Rev:E STATUS Released Printed: Oct 14, 2010 | |

KEY F - 2006-04-17

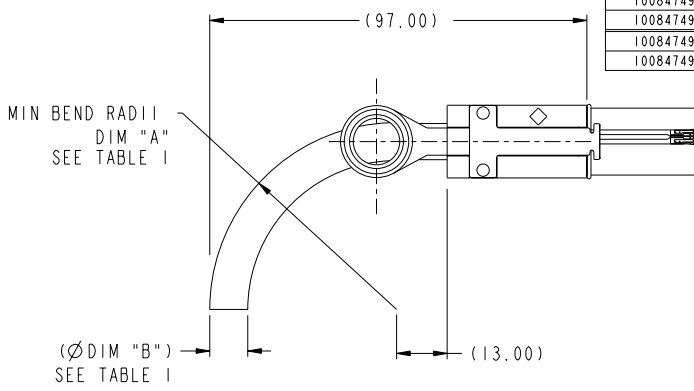
1 2 3 4

Copyright FCI

1 2 3 4

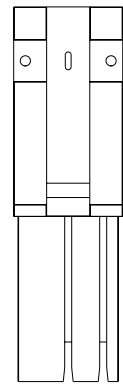
| SATA | | | | | | |
|------------------------------|------------------------|--------|-------------------|--------------------|--------------------|---------------|
| PRODUCT NUMBER SEE NOTE 4 | DESCRIPTION | GAUGE | "DIM L" LENGTH | END P1 KEY SLOT | END P2 KEY SLOT | IDENTIFIER |
| 10084749-M060004LF | X4 SATA CABLE ASSEMBLY | 24 AWG | 6M | 1,4 | 1,4 | X CABLE, SATA |
| 10084749-N020004LF | X4 SATA CABLE ASSEMBLY | 26 AWG | 2M | 1,4 | 1,4 | |
| 10084749-N040004LF | X4 SATA CABLE ASSEMBLY | 26 AWG | 4M | 1,4 | 1,4 | |
| 10084749-N050004LF | X4 SATA CABLE ASSEMBLY | 26 AWG | 5M | 1,4 | 1,4 | |
| 10084749-P010004LF | X4 SATA CABLE ASSEMBLY | 28 AWG | 1M | 1,4 | 1,4 | |
| 10084749-P030004LF | X4 SATA CABLE ASSEMBLY | 28 AWG | 3M | 1,4 | 1,4 | M CABLE, SATA |
| 10084749-M060005LF | X4 SATA CABLE ASSEMBLY | 24 AWG | 6M | 7 | 7 | |
| 10084749-N020005LF | X4 SATA CABLE ASSEMBLY | 26 AWG | 2M | 7 | 7 | |
| 10084749-N040005LF | X4 SATA CABLE ASSEMBLY | 26 AWG | 4M | 7 | 7 | |
| 10084749-N050005LF | X4 SATA CABLE ASSEMBLY | 26 AWG | 5M | 7 | 7 | |
| 10084749-P010005LF | X4 SATA CABLE ASSEMBLY | 28 AWG | 1M | 7 | 7 | |
| 10084749-P030005LF | X4 SATA CABLE ASSEMBLY | 28 AWG | 3M | 7 | 7 | |

A
B
C
D

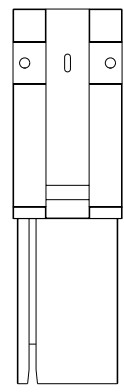


BEND RADIUS
(24 AWG SHOWN)

| TABLE 1 | | |
|---------|---------|-----------|
| CABLE | DIM "A" | DIM "B" |
| 24 AWG | (R46.9) | (Ø 9.5mm) |
| 26 AWG | (R41.7) | (Ø 8.3mm) |
| 28 AWG | (R37.7) | (Ø 7.6mm) |



KEY SLOT 1 & 4
X CABLE, SATA



KEY SLOT 7
M CABLE, SATA

SATA KEYING OPTIONS

| | | | |
|--|---|--------------------|--------------|
| | TITLE FINAL ASSEMBLY - ALTERNATE CABLE Mini SAS 2.0/SATA (CRKT) | DWG NO 10084749 | Rev. E |
| | CATALOG NO - | CUSTOMER | sheet 3 of 6 |

REV F - 2006-04-11

1 2 3 4

FDM: Rev:E STATUS Released Printed: Oct 14, 2010

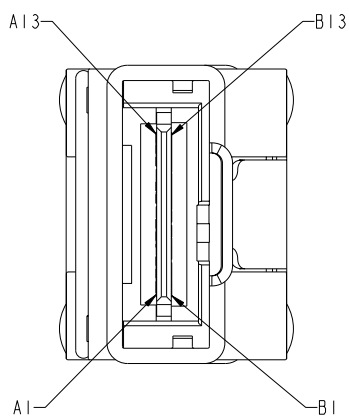
I 2 3 4

A

B

C

D



WIRING LIST SEE NOTE 7

| | | | | |
|-------|-----|-----|-----|-------|
| GND | A1 | --- | B1 | GND |
| Rx 0+ | A2 | ← | B2 | Tx 0+ |
| Rx 0- | A3 | ← | B3 | Tx 0- |
| GND | A4 | --- | B4 | GND |
| Rx 1+ | A5 | ← | B5 | Tx 1+ |
| Rx 1- | A6 | ← | B6 | Tx 1- |
| GND | A7 | --- | B7 | GND |
| Rx 2+ | A8 | ← | B8 | Tx 2+ |
| Rx 2- | A9 | ← | B9 | Tx 2- |
| GND | A10 | --- | B10 | GND |
| Rx 3+ | A11 | ← | B11 | Tx 3+ |
| Rx 3- | A12 | ← | B12 | Tx 3- |
| GND | A13 | --- | B13 | GND |
| GND | B1 | --- | A1 | GND |
| Tx 0+ | B2 | → | A2 | Rx 0+ |
| Tx 0- | B3 | → | A3 | Rx 0- |
| GND | B4 | --- | A4 | GND |
| Tx 1+ | B5 | → | A5 | Rx 1+ |
| Tx 1- | B6 | → | A6 | Rx 1- |
| GND | B7 | --- | A7 | GND |
| Tx 2+ | B8 | → | A8 | Rx 2+ |
| Tx 2- | B9 | → | A9 | Rx 2- |
| GND | B10 | --- | A10 | GND |
| Tx 3+ | B11 | → | A11 | Rx 3+ |
| Tx 3- | B12 | → | A12 | Rx 3- |
| GND | B13 | --- | A13 | GND |

P1

P2

A

B

C

D



Copyright FCI.

| | | | |
|--|---|------------------------|---------------|
| | title FINAL ASSEMBLY - ALTERNATE CABLE Mini SAS 2.0/SATA (CRKT) | dwg no 10084749 | Rev. E |
| | catalog no | CUSTOMER | sheet 4 of 6 |

REV F - 2006-04-11

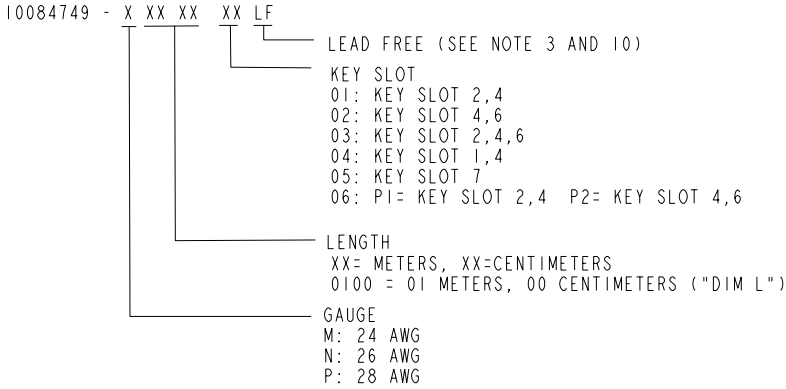
I 2 3 4

FDM: Rev:E STATUS Released Printed: Oct 14, 2010

NOTES:

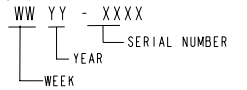
- ① - MATERIAL:
 BACKSHELLS: ZINC DIECAST
 PULL TAB: MOLDED THERMOPLASTIC
 LATCH: STAINLESS STEEL
 JET MELT: POLYAMIDE POLYMER
- 2 - ELECTRICAL PERFORMANCE PER CURRENT REVISION
 OF SERIAL ATA, T10/I760-D (SAS-2 REQUIREMENTS).
- ③ - THIS PRODUCT MEETS THE RESTRICTION OF HAZARDOUS SUBSTANCES IN
 ELECTRICAL AND ELECTRONIC EQUIPMENT (RoHS) DIRECTIVE (2002/95/EC)

4 - PART NUMBER DESCRIPTION



- ⑤ - UNLESS OTHERWISE SPECIFIED ASSEMBLED LENGTH TOLERANCE IS TO BE:
 < 1 METER = ±25.0mm
 > 1 METER TO 6 METERS = ± 2% OF "DIM L"
- ⑥ - UNLESS OTHERWISE SPECIFIED LABEL POSITION IS TO BE 50mm FROM REAR OF CONNECTOR.
 LABEL DETAILS:
 MANUFACTURER CODE OR NAME
 CUSTOMER P/N OR FCI P/N
 REVISION
 DATE CODE (WW/YY FORMAT) - SERIAL NUMBER
 COUNTRY ORIGIN

EXAMPLE SHOWN BELOW:




FONT SHALL BE CLEARLY VISIBLE AND BLACK IN COLOR.

| | | | | | | |
|--|------------|----------------------------------|----------|----------|--------------|--|
| | title | FINAL ASSEMBLY - ALTERNATE CABLE | dwg no | 10084749 | Rev. | |
| | | Mini SAS 2.0/SATA (CRKT) | | | E | |
| | catalog no | | CUSTOMER | | sheet 5 of 6 | |

NOTES CONTINUED:

- ⑦ - ALL CABLE ASSEMBLIES SHALL BE 100% TESTED FOR CONTINUITY AS DEFINED IN WIRING LIST.
- 8 - UNLESS OTHERWISE SPECIFIED ALL CABLE ASSEMBLIES SHALL BE 100% HI-POT TESTED BY APPLYING 300V DC FOR A MINIMUM OF 10ms, UNLESS ACTIVE COMPONENTS ARE USED IN THIS ASSEMBLY.
- 9 - OTHER TESTING PERFORMED AS REQUIRED BY PRODUCT SPECIFICATION: GS-12-548.
- ⑩ - PACKAGING OF LEAD FREE PRODUCTS MEETS LABELING AND PACKAGING PER SPECIFICATION GS-14-920. PACKAGE CABLE ASSEMBLIES PER GS-14-1272.
- ⑪ THIS DIMENSION IS A FINISHED PRODUCT LENGTH.

| | | | | | |
|---|--------------------------|----------------------------------|----------|--------------|------|
|  | title | FINAL ASSEMBLY - ALTERNATE CABLE | dwg no | 10084749 | Rev. |
| | Mini SAS 2.0/SATA (CRKT) | | | | E |
| catalog no | | | CUSTOMER | sheet 6 of 6 | |

REV F - 2006-04-11

FDM: Rev:E STATUS Released Printed: Oct 14, 2010