

.050" Mini D Ribbon (MDR) Cable Assembly

High Speed Digital Data Transmission System — 26 to 26 Position

14526-EZ8B-XXX-07X



- The solution for Digital Displays, Datacom and Telecom applications
- Supports LVDS FPD Link™, FlatLink™, ChannelLink™, PanelLink™/TMDS™ electrical interfaces
- Each differential twin-ax pair has a foil shield and drain
- Entire cable bundle is shielded with foil and braid
- Rugged MDR ribbon type contact
- Quick release latches

Date Modified: November 29, 1999

TS-0757-14
Sheet 1 of 4

9

Physical

Connector Contact Plating

Wiping Area: See ordering information

Shell

Color: Parchment/Beige

Material: Acrylonitrile Butadiene Styrene (ABS)

Cable

Color: Parchment/Beige

Jacket Material: Polyvinyl Chloride (PVC)

Flammability: AWM VW-1

Electrical

Voltage Rating: 30 V

Current Rating: 1 A

Insulation Resistance: $> 1 \times 10^8 \Omega$ at @100 Vdc

Withstanding Voltage: 350 Vrms for 1 minute

Individually Shielded Twisted Pairs

Characteristic Impedance: $100 \pm 10 \Omega$

Conductor Size: 28 AWG Stranded

Propagation Velocity: 1.25 ns/ft [4.1 ns/m]

Environmental

Temperature Rating: -20°C to $+75^\circ\text{C}$

UL File No.: E86982

3M Interconnect Solutions Division

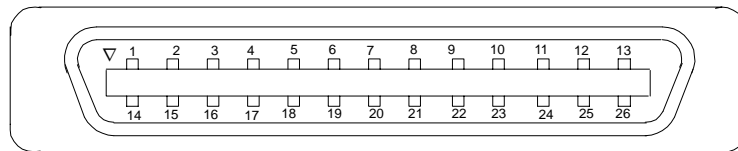
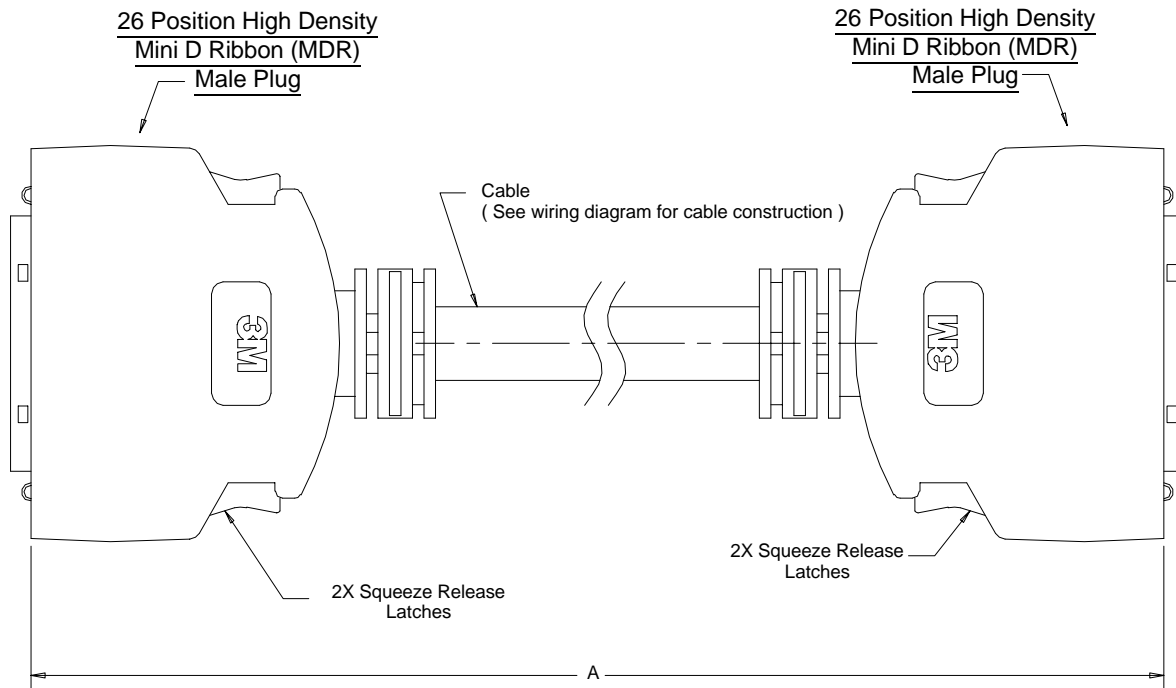
6801 River Place Blvd.
Austin, TX 78726-9000

For technical, sales or ordering information call
800-225-5373

.050" Mini D Ribbon (MDR) Cable Assembly

High Speed Digital Data Transmission System — 26 to 26 Position

14526-EZ8B-XXX-07X



MDR 26 Position Plug (Both Ends)



Ordering Information

14526-EZ8B-XXX-07X

Length see Dim A
060 = 2 ft.
100 = 1 meters
200 = 2 meters
300 = 3 meters
500 = 5 meters
A00 = 10 meters

Plating Options for Wiping Area:
Blank = 8 μ " [0.2 μ m] Min. Gold
C = 30 μ " [0.76 μ m] Min. Gold

Notes:

1. USB/DDC Gnd grounding pins for USB and DDC are not commoned in the cable assembly. The end user must specify proper grounding at the board level.
2. Contact 3M for polarization key system.

TS-0757-14
Sheet 2 of 4

3M Interconnect Solutions Division

6801 River Place Blvd.
Austin, TX 78726-9000

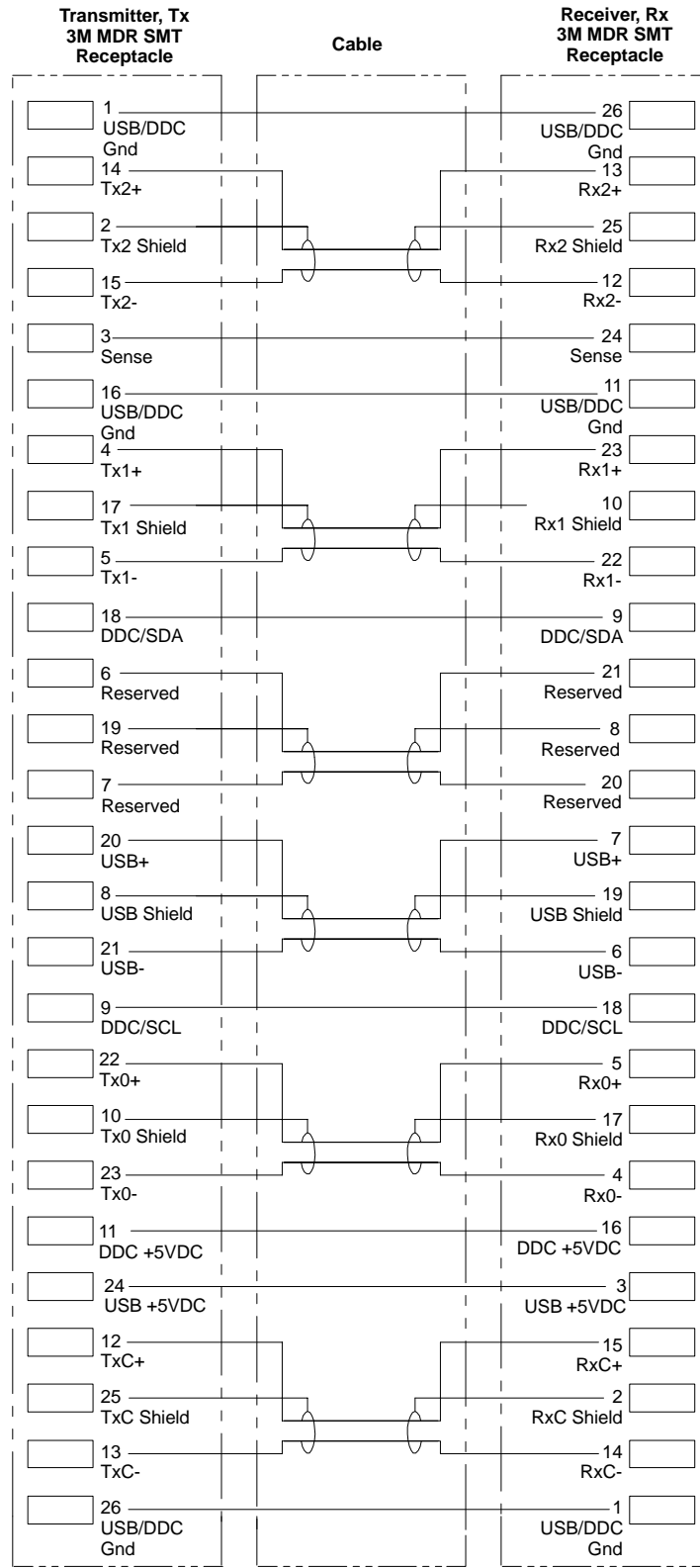
For technical, sales or ordering information call
800-225-5373

.050" Mini D Ribbon (MDR) Cable Assembly

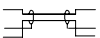
PanelLink™ /TMDS™ High Speed Digital Data Transmission System

14526-EZ8B-XXX-07X

MDR 26 Pin, PanelLink™ /TMDS™ Pinout P26-7 (Rev 7.0)



Symbols Key:



100 Ohm balanced individually shielded twisted pair w/drain

- 28 AWG insulated conductor

PanelLink and TMDS are trademarks of Silicon Image, Inc.

TS-0757-14
Sheet 3 of 4

3M Interconnect Solutions Division

6801 River Place Blvd.
Austin, TX 78726-9000

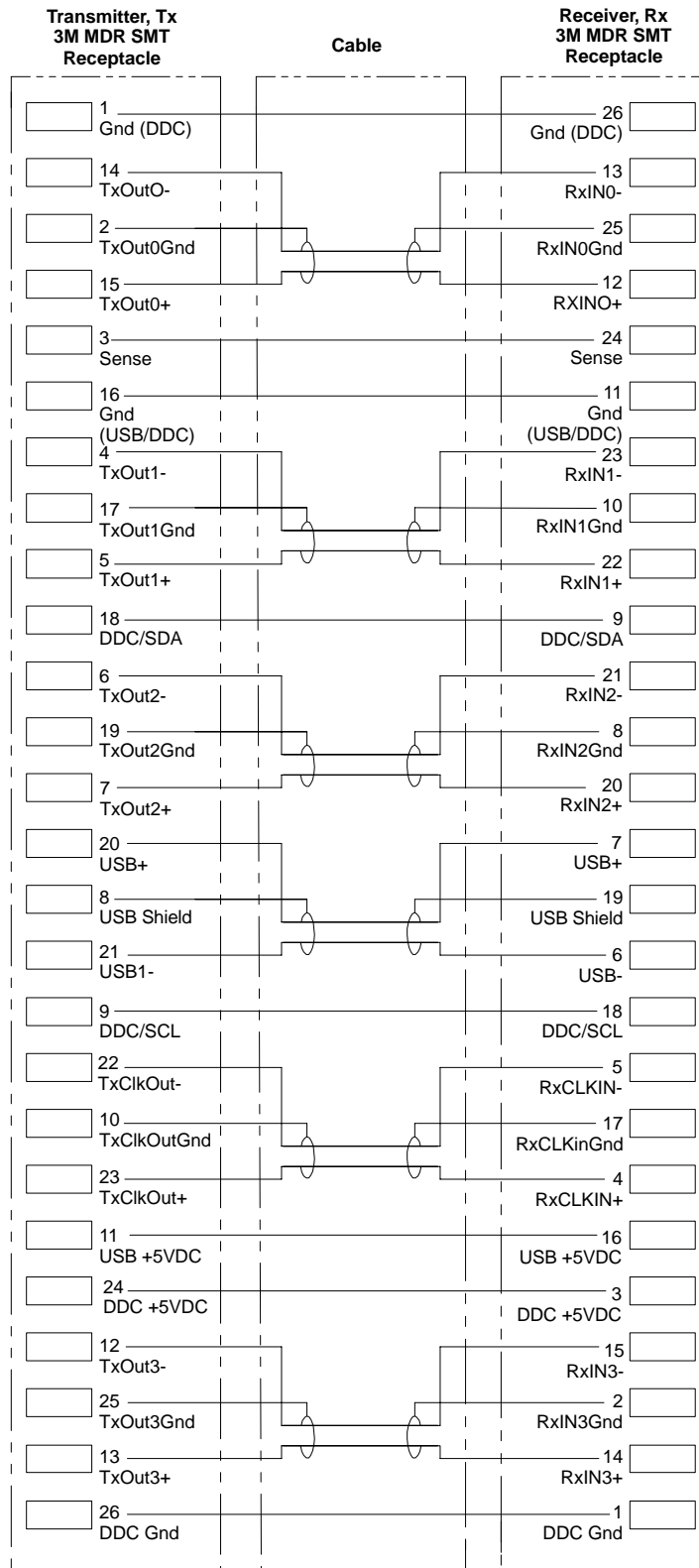
For technical, sales or ordering information call
800-225-5373

.050" Mini D Ribbon (MDR) Cable Assembly

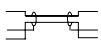
FPD Link™ High Speed Digital Data Transmission System

14526-EZ8B-XXX-07X

MDR 26 Pin, FPD Link Pinout DISM 1.0



Symbols Key:



100 Ohm balanced individually shielded twisted pair w/drain

- 28 AWG insulated conductor

FPD Link™ is a registered trademark of National Semiconductor Inc.

TS-0757-14
Sheet 4 of 4

3M Interconnect Solutions Division

6801 River Place Blvd.
Austin, TX 78726-9000

For technical, sales or ordering information call
800-225-5373