



**BOURNS®**

# 3318 6 mm Square Trimming Potentiometer

## Features

- Single-Turn / Carbon / Commercial Open Frame
- Cross slot rotor design suitable for automatic adjustment equipment
- Board retention features
- Enclosed cover
- PC board stand-offs
- Adjustable front / back, top / bottom
- RoHS compliant\*

### Electrical Characteristics

Standard Resistance Range .....100 Ω to 1 MΩ  
 (see standard resistance table)  
 Resistance Tolerance.....±20 %  
 Contact Resistance Variation .....10 % max.  
 Resolution .....Infinite  
 Adjustment Angle .....210 °± 15 °

### Environmental Characteristics

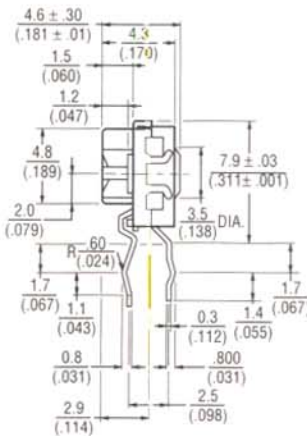
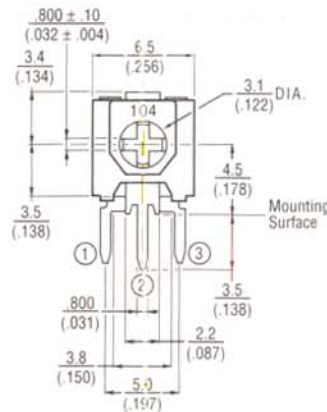
Power Rating .....0.1 watt  
 Temperature Range.....-10 °C to +70 °C  
 Temperature Coefficient.....±1,000 PPM/°C  
 Load Life.....240 hours @ 50 °C  
 (+20/-5 % ΔTR)

### Physical Characteristics

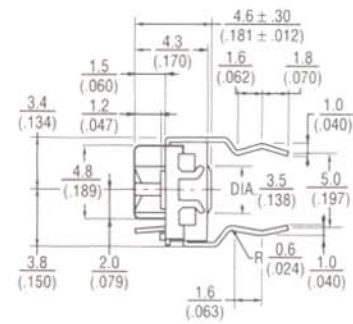
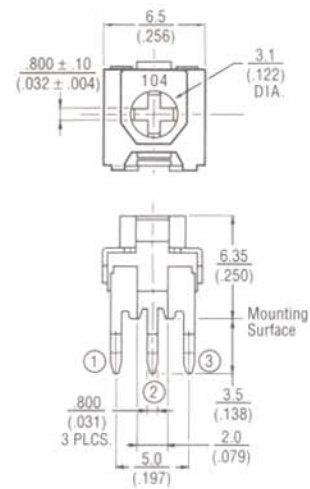
Torque (Operating) .....20~250 gf-cm  
 Stop Strength  
 Knob Side .....800 gf-cm  
 Reverse Side .....350 gf-cm  
 Terminals .....Solderable pins  
 Marking .....Resistance code  
 Standard Packaging .....500 pcs. per bag

### Product Dimensions

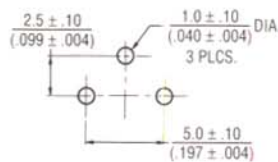
#### Model 3318S



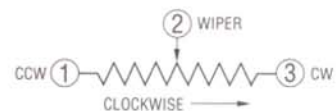
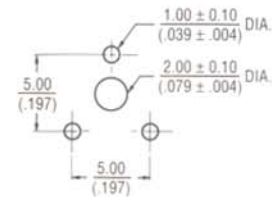
#### Model 3318P



### Recommended PCB Layout



### Recommended PCB Layout



DIMENSIONS: MM/(INCHES)  
 TOLERANCES: ±.25/(±.010) EXCEPT WHERE NOTED

Specifications are subject to change without notice.  
 \*RoHS Directive 2002/95/EC Jan 27 2003 including Annex.  
 Customers should verify actual device performance in their specific applications.  
 REV 09/04

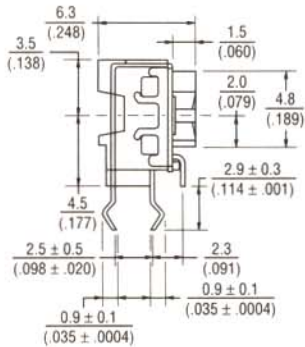
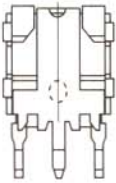
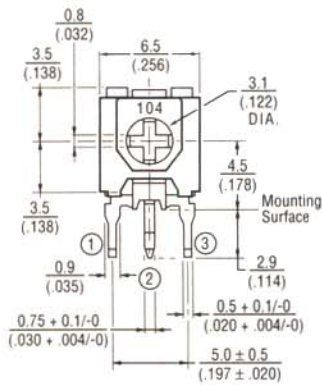
Trimmer Data Sheets

OBSOLETE

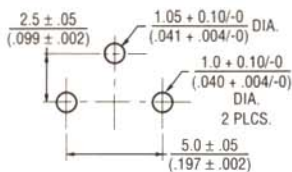
# 3318 – Product Dimensions and Ordering Information

## Product Dimensions

### Model 3318B



## Recommended PCB Layout



DIMENSIONS: MM/(INCHES)  
TOLERANCES: ±.25/(±.010) EXCEPT WHERE NOTED

## Standard Resistance Table

Resistance (Ohms)	Resistance Code
100	101
200	201
220	221
300	301
500	501
1,000	102
2,000	202
2,200	222
3,000	302
3,300	332
4,700	472
5,000	502
10,000	103
20,000	203
22,000	223
30,000	303
47,000	473
50,000	503
100,000	104
200,000	204
220,000	224
470,000	474
500,000	504
1,000,000	105

## How To Order

3318 P - 1 - 103 A

Model \_\_\_\_\_  
 Style \_\_\_\_\_  
 Standard or Modified \_\_\_\_\_  
 Product Indicator \_\_\_\_\_  
 -1 = Standard Product  
 Resistance Code \_\_\_\_\_  
 Ammo Pak Designator \_\_\_\_\_  
 (G, S & B only)

**OBSOLETE**

Specifications are subject to change without notice.  
Customers should verify actual device performance in their specific applications.

Trimmer Data Sheets