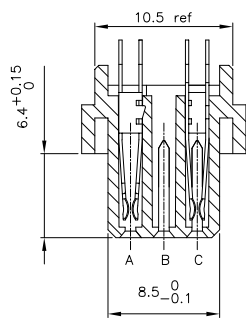
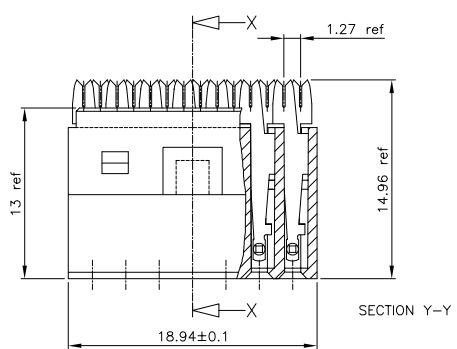
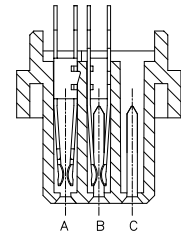
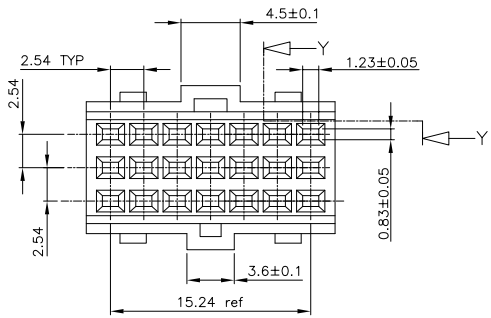


PRODUCT NUMBER	Number of Terminals	AWG	ROW	X=pos terminal						
				1	2	3	4	5	6	7
75948-X01	2 x 7	28 Str. / 30 Sol.	c	X	X	X	X	X	X	X
			b	X	X	X	X	X	X	
			a	X	X	X	X	X	X	
75948-X02	2 x 7	28 Str. / 30 Sol.	c	X	X	X	X	X	X	X
			b	X	X	X	X	X	X	
			a	X	X	X	X	X	X	



SECTION X-X
ACCORDING TO 75948-X01



SECTION X-X
ACCORDING TO 75948-X02

NOTE:-
 1. THE "LF" PRODUCTS MEET EUROPEAN UNION DIRECTIVES AND OTHER COUNTRY REGULATIONS AS DESCRIBED IN GS-22-008.
 2. LEAD FREE OR ROHS DIRECTIVE LABELLING TO BE PROVIDED AS PER GS-14-920 FOR LEAD FREE VERSION.

75948-4YY	2.0 um Au min over 3.0 um Ni	0.1-0.2 um Ni
75948-2YY	0.5 um Au min over 3.0 um Ni	0.1-0.2 um Ni
75948-1YY	1.0 um Au min over 3.0 um Ni	0.1-0.2 um Ni
75948-0YY	3.0 um Au min over 3.0 um Ni	0.1-0.2 um Ni
PRODUCT CODE YZ	PLATING CONTACT AREA	PLATING PIERCING AREA

NOTES:
 1. MATERIAL HOUSING: POLYESTER 30% GLASS FILLED COLOUR GREY, FLAME RETARDANT PER UL-94-V0
 2. MATERIAL CONTACT: PHOSPHOR BRONZE
 3. FOR CABLE APPLICATION SEE TA 310
 4. "LF" SUFFIX TO THE PRODUCT NUMBER FOR LEAD FREE OR ROHS COMPATIBLE PRODUCTS.

mat'l. code	see notes	surface	tolerance	projection	product family
lfr	tech no	iso 1992	iso 1992	iso 1992	CableConnector assembly 2x7 pos.
E	date	isocross	isocross	isocross	
F	date	angle	linear	mm	
G	date	engr	engr	scale	
H	date	engr	engr	scale	sheet 1 of 1
M. Vischers 1992-03-20 chr mwhet grom 2006-06-01 opp mwhet grom 2006-06-01					title 75948 type CUSTOMER Drawing
sheet index	revision	H	I		