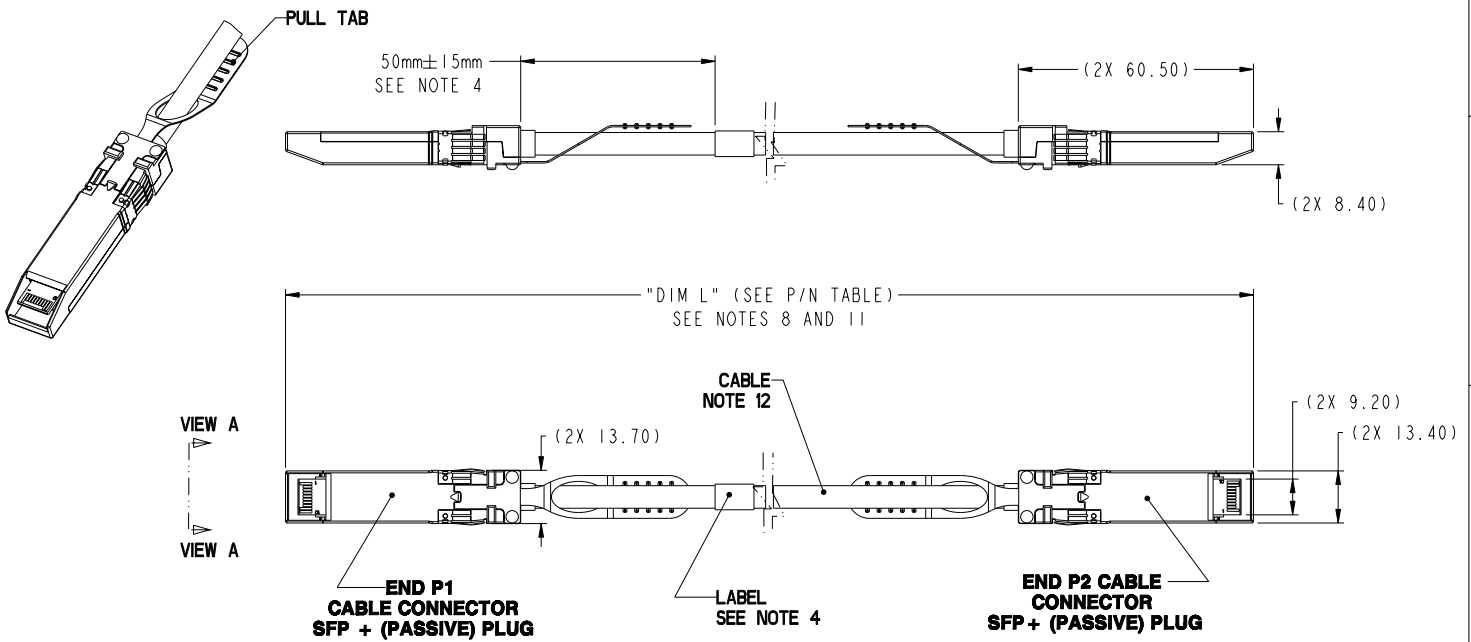


Product number	DESCRIPTION	NOTES
I0101497-XXXXLF	NON-HF	SEE SHT. 3
I0101497-XXXXHFLF	HALOGEN FREE (HF)	SEE SHT. 4



VIEW A
VIEW A

rev	ecn no	dr	date
A	V10-0036	DAI	2010-01-25
B	V10-0242	DHL	2010-07-19

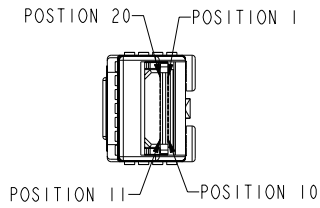
www.fciconnect.com			surface	-	tolerance std	projection	mm
			TOLERANCES UNLESS OTHERWISE SPECIFIED				
Dr	D. INGRAM	2009-05-12	ANGULAR	0.X	±0.3	size	Scale
Eng	B. BRUBAKER	2009-05-12	LINEAR	0.XX	±0.10	A3	3:10
Chr	B. BRUBAKER	2009-05-12	0° ±2°	0.XXX	±0.050	ECN	V10-0242
Appr	B. BRUBAKER	2009-05-12	Product family	SFP+ PLUG	Spec ref		
			TITLE		dwg no	Rev.	
			FINAL ASSEMBLY - ALTERNATE CABLE		10101497	B	
			SFP+ (PASSIVE) ASSEMBLY				
			catalog no	CUSTOMER	sheet 1 of 5		

REV F - 2006-04-17

FDM: Rev:B STATUS: Released Printed: Aug 05, 2010

Product number	DESCRIPTION	NOTES
10101497-XXXXLF	NON-HF	SEE SHT. 3
10101497-XXXXHFLF	HALOGEN FREE (HF)	SEE SHT. 4

WIRING LIST (SEE NOTE 5)					
END P1			END P2		
POSITION	SYMBOL		POSITION	SYMBOL	
12	RD-	◀-----	19	TD-	
13	RD+	◀-----	18	TD+	
18	TD+	-----▶	13	RD+	
19	TD-	-----▶	12	RD-	



VIEW A (P1)
SCALE 2:1

LOW SPEED SIGNALS P1 & P2	
END P1	
POSITION	SYMBOL
1	VeeT
2	TX_Fault
3	Tx_Disable
4	MOD_DEF(2)
5	MOD_DEF(1)
6	MOD_DEF(0)
7	RateSelect
8	LOS
9	VeeR
10	VeeR
11	VeeR
14	VeeR
15	VccR
16	VccT
17	VeeT
20	VeeT

	TITLE	FINAL ASSEMBLY - ALTERNATE CABLE	dwg no	10101497	Rev.	B
		SFP+ (PASSIVE) ASSEMBLY				
	CATALOG NO		CUSTOMER		SHEET	2 of 5

REV F - 2006-04-11

PDM: Rev:B STATUS: **Released** Printed: Aug 05, 2010

Copyright FCI.

PRODUCT NUMBER	LENGTH (Meters) "DIM L"	AWG	NOTES
10101497-1003LF	0.3	32	NOTE 13
10101497-1005LF	0.5	32	
10101497-1010LF	1.0	32	
10101497-2005LF	0.5	30	NOTE 13
10101497-2010LF	1.0	30	
10101497-2015LF	1.5	30	
10101497-2020LF	2.0	30	
10101497-2025LF	2.5	30	
10101497-2030LF	3.0	30	
10101497-2035LF	3.5	30	
10101497-2040LF	4.0	30	
10101497-3005LF	0.5	28	NOTE 13
10101497-3010LF	1.0	28	
10101497-3015LF	1.5	28	
10101497-3020LF	2.0	28	
10101497-3025LF	2.5	28	
10101497-3030LF	3.0	28	
10101497-3035LF	3.5	28	
10101497-3040LF	4.0	28	
10101497-3045LF	4.5	28	
10101497-3050LF	5.0	28	
10101497-4005LF	0.5	26	NOTE 13
10101497-4010LF	1.0	26	NOTE 13
10101497-4015LF	1.5	26	NOTE 13
10101497-4020LF	2.0	26	NOTE 13
10101497-4025LF	2.5	26	NOTE 13
10101497-4030LF	3.0	26	NOTE 13
10101497-4035LF	3.5	26	NOTE 13
10101497-4040LF	4.0	26	NOTE 13
10101497-4045LF	4.5	26	NOTE 13
10101497-4050LF	5.0	26	NOTE 13
10101497-4055LF	5.5	26	NOTE 13
10101497-4060LF	6.0	26	NOTE 13
10101497-4065LF	6.5	26	NOTE 10 & 13
10101497-4070LF	7.0	26	NOTE 10 & 13

PRODUCT NUMBER	LENGTH (Meters) "DIM L"	AWG	NOTES
10101497-5005LF	0.5	24	NOTE 13
10101497-5010LF	1.0	24	NOTE 13
10101497-5015LF	1.5	24	NOTE 13
10101497-5020LF	2.0	24	NOTE 13
10101497-5025LF	2.5	24	NOTE 13
10101497-5030LF	3.0	24	NOTE 13
10101497-5035LF	3.5	24	NOTE 13
10101497-5040LF	4.0	24	NOTE 13
10101497-5045LF	4.5	24	NOTE 13
10101497-5050LF	5.0	24	NOTE 13
10101497-5055LF	5.5	24	NOTE 13
10101497-5060LF	6.0	24	NOTE 13
10101497-5065LF	6.5	24	NOTE 13
10101497-5070LF	7.0	24	NOTE 13
10101497-5075LF	7.5	24	NOTE 13
10101497-5080LF	8.0	24	NOTE 10 & 13
10101497-5085LF	8.5	24	NOTE 10 & 13
10101497-5090LF	9.0	24	NOTE 10 & 13
10101497-5095LF	9.5	24	NOTE 10 & 13
10101497-5100LF	10.0	24	NOTE 10 & 13

NON-HALOGEN FREE CABLE ASSEMBLY PART NUMBERS

	title	FINAL ASSEMBLY - ALTERNATE CABLE	dwg no	10101497	Rev.	B
	catalog no	SFP+ (PASSIVE) ASSEMBLY	CUSTOMER	sheet 3 of 5		

PDM: Rev:B STATUS:Released Printed: Aug 05, 2010

PRODUCT NUMBER	LENGTH (Meters) DIM L	AWG	NOTES
10101497-1003HFLF	0.3	32	NOTE 12
10101497-1005HFLF	0.5	32	NOTE 12
10101497-1010HFLF	1.0	32	NOTE 12
10101497-2005HFLF	0.5	30	NOTE 12
10101497-2010HFLF	1.0	30	NOTE 12
10101497-2015HFLF	1.5	30	NOTE 12
10101497-2020HFLF	2.0	30	NOTE 12
10101497-2025HFLF	2.5	30	NOTE 12
10101497-2030HFLF	3.0	30	NOTE 12
10101497-2035HFLF	3.5	30	NOTE 12
10101497-2040HFLF	4.0	30	NOTE 12
10101497-3005HFLF	0.5	28	NOTE 12
10101497-3010HFLF	1.0	28	NOTE 12
10101497-3015HFLF	1.5	28	NOTE 12
10101497-3020HFLF	2.0	28	NOTE 12
10101497-3025HFLF	2.5	28	NOTE 12
10101497-3030HFLF	3.0	28	NOTE 12
10101497-3035HFLF	3.5	28	NOTE 12
10101497-3040HFLF	4.0	28	NOTE 12
10101497-3045HFLF	4.5	28	NOTE 12
10101497-3050HFLF	5.0	28	NOTE 12
10101497-4005HFLF	0.5	26	NOTE 12
10101497-4010HFLF	1.0	26	NOTE 12
10101497-4015HFLF	1.5	26	NOTE 12
10101497-4020HFLF	2.0	26	NOTE 12
10101497-4025HFLF	2.5	26	NOTE 12
10101497-4030HFLF	3.0	26	NOTE 12
10101497-4035HFLF	3.5	26	NOTE 12
10101497-4040HFLF	4.0	26	NOTE 12
10101497-4045HFLF	4.5	26	NOTE 12
10101497-4050HFLF	5.0	26	NOTE 12
10101497-4055HFLF	5.5	26	NOTE 12
10101497-4060HFLF	6.0	26	NOTE 12
10101497-4065HFLF	6.5	26	NOTE 10 & 12
10101497-4070HFLF	7.0	26	NOTE 10 & 12

PRODUCT NUMBER	LENGTH (Meters) DIM L	AWG	NOTES
10101497-5005HFLF	0.5	24	NOTE 12
10101497-5010HFLF	1.0	24	NOTE 12
10101497-5015HFLF	1.5	24	NOTE 12
10101497-5020HFLF	2.0	24	NOTE 12
10101497-5025HFLF	2.5	24	NOTE 12
10101497-5030HFLF	3.0	24	NOTE 12
10101497-5035HFLF	3.5	24	NOTE 12
10101497-5040HFLF	4.0	24	NOTE 12
10101497-5045HFLF	4.5	24	NOTE 12
10101497-5050HFLF	5.0	24	NOTE 12
10101497-5055HFLF	5.5	24	NOTE 12
10101497-5060HFLF	6.0	24	NOTE 12
10101497-5065HFLF	6.5	24	NOTE 12
10101497-5070HFLF	7.0	24	NOTE 12
10101497-5075HFLF	7.5	24	NOTE 12
10101497-5080HFLF	8.0	24	NOTE 10 & 12
10101497-5085HFLF	8.5	24	NOTE 10 & 12
10101497-5090HFLF	9.0	24	NOTE 10 & 12
10101497-5095HFLF	9.5	24	NOTE 10 & 12
10101497-5100HFLF	10.0	24	NOTE 10 & 12

HALOGEN FREE CABLE ASSEMBLY PART NUMBERS

Copyright FCI

	title	FINAL ASSEMBLY - ALTERNATE CABLE	dwg no	10101497	Rev.	B
	catalog no	SFP+ (PASSIVE) ASSEMBLY	CUSTOMER	sheet 4 of 5		

PDM: Rev:B STATUS:Released Printed: Aug 05, 2010

REV F - 2006-04-17

Product number	DESCRIPTION	NOTES
I0101497-XXXXLF	NON-HF	SEE SHT. 3
I0101497-XXXXHFLF	HALOGEN FREE (HF)	SEE SHT. 4

NOTES:

1 - MATERIAL:
 BACKSHELLS: ZINC ALLOY/ COPPER UNDERPLATE/ NICKEL OVERPLATE
 PULL TAB: THERMOPLASTIC POLYMER
 RELEASE SPRING: STAINLESS STEEL
 EMI GASKET: STAINLESS STEEL
 COLLET: BRASS
 SCREWS: STAINLESS STEEL
 PADDLE CARD: PRINTED CIRCUIT SUBSTRATE
 JET MELT: POLYIMIDE POLYMER

2 - THIS PRODUCT MEETS THE RESTRICTION OF HAZARDOUS SUBSTANCES IN ELECTRICAL AND ELECTRONIC EQUIPMENT (RoHS) DIRECTIVE (2002/95/EC)

3 - IMPEDANCE: 100 OHMS DIFFERENTIAL.

4 - UNLESS OTHERWISE SPECIFIED LABEL POSITION IS TO BE 50mm FROM REAR OF CONNECTOR.

LABEL DETAILS:
 MANUFACTURER CODE OR NAME COUNTRY ORIGIN
 FCI P/N
 REVISION
 DATE CODE (YY/MM/DD FORMAT) - SERIAL NUMBER

FONT SHALL BE CLEARLY VISIBLE AND BLACK IN COLOR.

5 - ALL CABLE ASSEMBLIES SHALL BE 100% TESTED FOR CONTINUITY AS DEFINED IN WIRING LIST.
 ALL CABLE ASSEMBLIES SHALL BE 100% HI-POT TESTED.

6 - CONFORMS TO FCI PRODUCT SPECIFICATION: GS-12-616.

7 - PACKAGING OF LEAD FREE PRODUCTS MEETS LABELING AND PACKAGING PER SPECIFICATION GS-14-920.
 PACKAGE CABLE ASSEMBLIES PER GS-14-1272.

8 - THIS DIMENSION IS A FINISHED PRODUCT LENGTH.

9. A "△" SYMBOL WILL BE NEXT TO ANY DIMENSION, VIEW, OR NOTE WHICH HAS BEEN MODIFIED WITH THE CURRENT DRAWING REVISION. THE CURRENT REVISION WILL BE SHOWN IN THE SYMBOL.

10 - LONGER LENGTH APPLICATIONS REQUIRE HOST SYSTEM PREMPHASIS AND/OR EQUALIZATION.

11 - UNLESS OTHERWISE SPECIFIED ASSEMBLED LENGTH TOLERANCE IS TO BE:
 < 1 METER = ±25.0mm
 > 1 METER TO 10 METERS = ±2% OF "DIM L"

12 - "HF" PRODUCT NUMBERS DESIGNATE THE USE OF HALOGEN FREE RAW CABLE.

13 - HALOGEN FREE RAW CABLE CAN BE USED AS A SUBSTITUTE ON NON-HF PRODUCT NUMBERS.

	title	FINAL ASSEMBLY - ALTERNATE CABLE	dwg no	10101497	Rev.	B
	catalog no	SFP+ (PASSIVE) ASSEMBLY	-	CUSTOMER	sheet	5 of 5

REV F - 2006-04-11

FDM: Rev:B STATUS: Released Printed: Aug 05, 2010