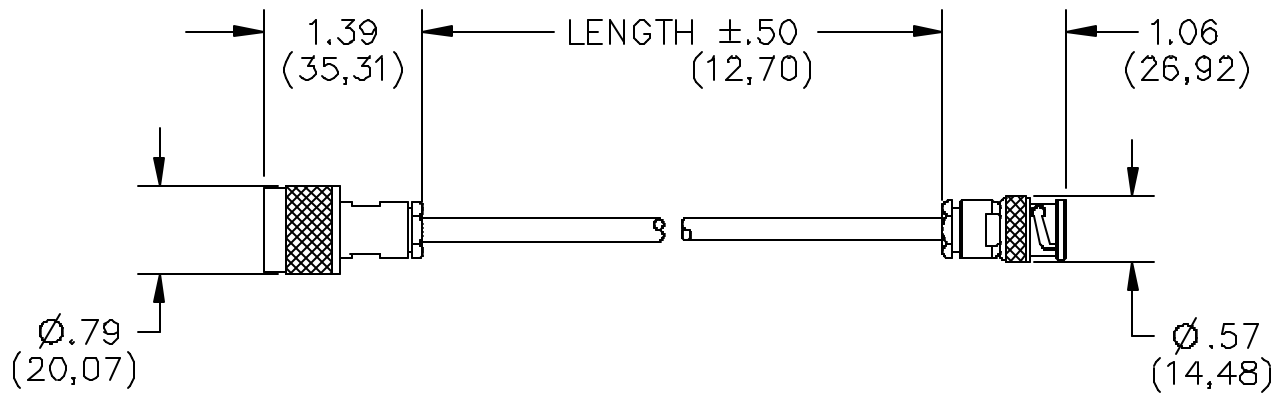


Model 1366
BNC Male to "N" Male
Cable Assembly, 50 Ohm



Part Number	Length (inch)	Length (mm)
1366-C-24	24	609,4
1366-C-36	36	914,4
1366-C-48	48	1219.2

FEATURES:

- Model 1366-C provides a simple means to connect between equipment with both BNC and Type N input jacks.
- Both connectors feature nickel plated shells to provide the greatest tarnish resistance.
- Gold plated center conductors assure noise free connections..

MATERIALS:

Type N Male: Body and Fittings – Brass, Tarnish Resistant
 Center Conductor – Brass, Gold Plated
 Impedance: 50 Ohms

Cable: RG58C/U, Impedance 50 Ohms, O.D. .195” 5,0mm

BNC Male: Body and Fittings – Brass, Tarnish Resistant
 Center Contact – Brass, Gold Plated
 Impedance: 50 Ohms

RATINGS:

Operating Voltage: 500 VRMS
 Operating Temperature: +80°C (+176°F) Max.

ORDERING INFORMATION: Model 1366-XX

XX = Length in inches. Additional lengths can be quoted upon request.

All dimensions are in inches. Tolerances (except noted): .xx = ±.02” (.51 mm), .xxx = ± .005” (.127 mm).
 All specifications are to the latest revisions. Specifications are subject to change without notice.
 Registered trademarks are the property of their respective companies. Made in USA

6/9/99
 SY/EH/LS
 S:\Engineering\Release\DataSheets\FI\ukeDataSheet\d1366_1_01.doc

Sales: 800-490-2361 Fax: 888-403-3360
Technical Assistance: 800-241-2060

PomonaACCESS 90506 (800) 444-6785 or (425) 446-6010
 More drawings available at www.pomonaelectronics.com