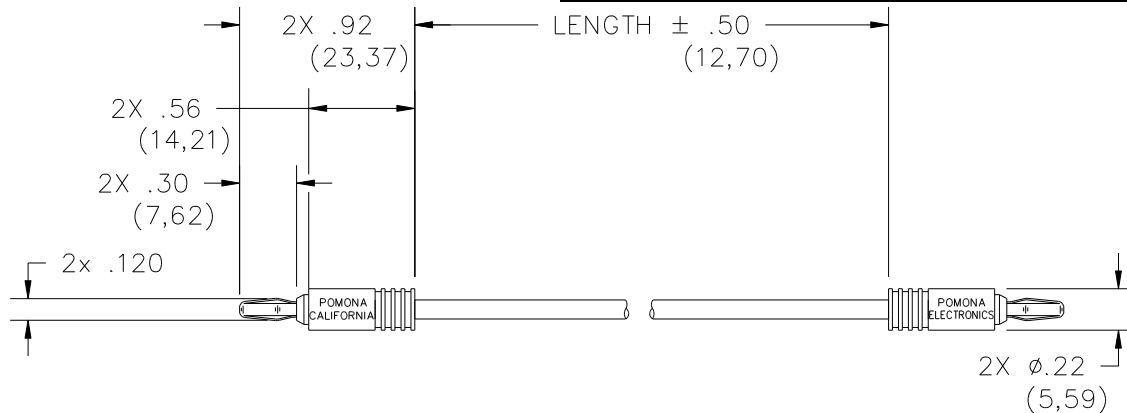


## Model 2842 Miniature Banana Plug Each End



### FEATURES:

- Small body size permits usage in equipment having receptacles spaced close together.
- Mates to Model 2382, 2142, 2143 or any other miniature banana jack.

### MATERIALS:

Conn: Miniature Banana Plug.

Material: Spring Beryllium Copper, Berylco 25 per QQ-C-533, Cond. H.T.

Plug Body: Brass, per QQ-B-626, Alloy 360, ½ Hard.

Finish: Gold plated per MIL-G-26074, Class 1 (.0002/.0003).

Insulation: Polypropylene molded to plug body and wire.

Marking: "POMONA ELECTRONICS POMONA, CALIFORNIA."

Wire: 20 AWG, stranding 41 x 36 t.c., PVC insulated.

Marking: "POMONA 2842-XX-X"

Conn: Same as first end.

### RATINGS: (Entire Assembly)

Operating Temperature: +55°C. (+131°F.) Max.

Operating Voltage: 3000 VDC

Current: 5 Amperes Cont.

### ORDERING INFORMATION: Model 2842-XX-\*

XX = Cable Lengths, Standard Lengths: 12" (305), 36" (914),

Additional lengths and colors can be quoted upon request.

\* = Color, -0 Black, -2 Red

Ordering Example: 2842-48-2 Indicates 48" in length, Color is Red.

All dimensions are in inches. Tolerances (except noted): .xx = ±.02" (.51 mm), .xxx = ±.005" (.127 mm).

All specifications are to the latest revisions. Specifications are subject to change without notice.

Registered trademarks are the property of their respective companies. Made in USA