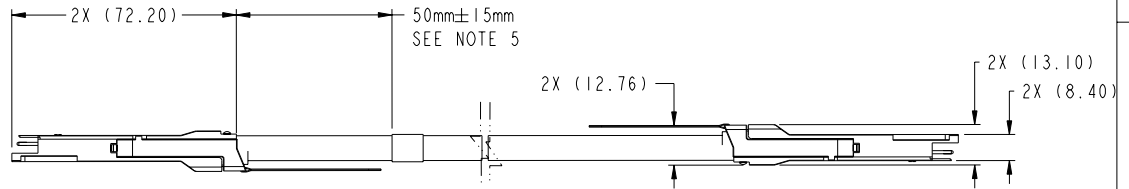
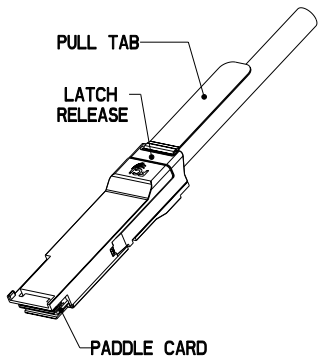
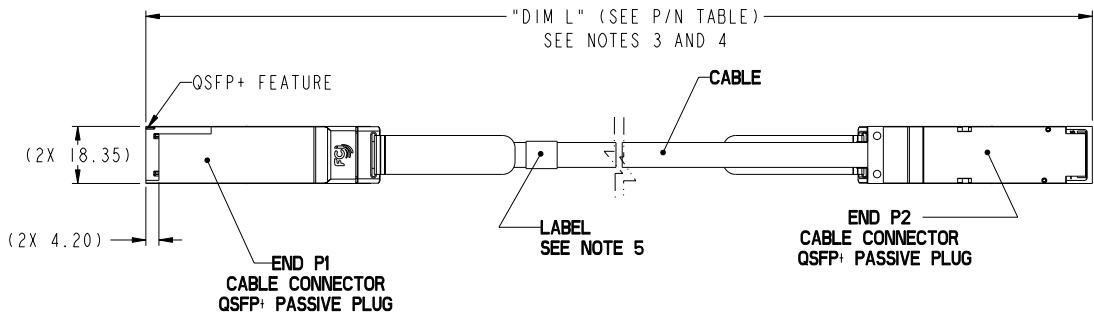


| Product number    | DESCRIPTION       | NOTES      |
|-------------------|-------------------|------------|
| I0093084-XXXXLF   | NON-HF            | SEE SHT. 3 |
| I0093084-XXXXHFLF | HALOGEN FREE (HF) | SEE SHT. 4 |



VIEW A  
VIEW A



| rev | ecn no   | dr  | date       |
|-----|----------|-----|------------|
| A   | V09-0036 | DA1 | 2010-01-25 |
| B   | V10-0208 | DA1 | 2010-05-03 |
| C   | V10-0260 | DA1 | 2010-06-10 |
| D   | V10-0241 | DA1 | 2010-07-15 |
| E   | V10-0403 | DA1 | 2010-10-29 |

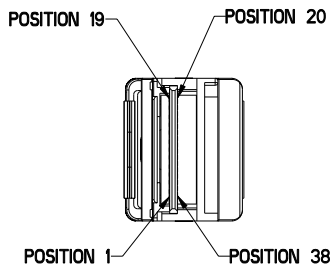
|   |             |            |                |               |                    |              |
|---|-------------|------------|----------------|---------------|--------------------|--------------|
| www.fciconnect.com                                |             | surface    | -              | tolerance std | projection         | mm           |
| TOLERANCES UNLESS OTHERWISE SPECIFIED             |             |            |                | ANGULAR       | LINEAR             | size A3      |
| Dr  | D. INGRAM   | 2009-01-14 | 0.X            | ±0.3          | Scale              | 1:2          |
| Eng   | B. BRUBAKER | 2009-01-14 | 0.XX           | ±0.10         | ECN                | V10-0403     |
| Chr   | B. BRUBAKER | 2009-01-14 | 0° ±2°         | 0.XXX         | ±0.050             | Spec ref     |
| Appr  | B. BRUBAKER | 2009-01-14 | Product family |               | QSFP PLUG          |              |
| <b>FINAL ASSEMBLY</b><br>QSFP+ (PASSIVE) ASSEMBLY |             |            |                |               | dwg no<br>10093084 | Rev.<br>E    |
| catalog no  |             |            |                |               | CUSTOMER           | sheet 1 of 5 |

REV F - 2006-04-17

FDM: Rev:E STATUS:Released Printed: Dec 23, 2010

Copyright FCI

| Product number    | DESCRIPTION       | NOTES      |
|-------------------|-------------------|------------|
| 10093084-XXXXLF   | NON-HF            | SEE SHT. 3 |
| 10093084-XXXXHFLF | HALOGEN FREE (HF) | SEE SHT. 4 |



**LOW SPEED SIGNALS  
P1 & P2**

| POSITION | SYMBOL  |
|----------|---------|
| 8        | ModSelL |
| 9        | ResetL  |
| 10       | VccRx   |
| 11       | SCL     |
| 12       | SDA     |
| 27       | ModPrsL |
| 28       | IntL    |
| 29       | VccTx   |
| 30       | VccI    |
| 31       | LPMode  |

| WIRING LIST (SEE NOTE 6) |          |      |          |          |
|--------------------------|----------|------|----------|----------|
| END P1                   |          |      | END P2   |          |
| POSITION                 | SYMBOL   |      | POSITION | SYMBOL   |
| 1                        | GND (TX) | ---▷ | 20       | GND (RX) |
| 2                        | TX2n     | ---▷ | 21       | RX2n     |
| 3                        | TX2p     | ---▷ | 22       | RX2p     |
| 4                        | GND (TX) | ---▷ | 23       | GND (RX) |
| 5                        | TX4n     | ---▷ | 24       | RX4n     |
| 6                        | TX4p     | ---▷ | 25       | RX4p     |
| 7                        | GND (TX) | ---▷ | 26       | GND (RX) |
| 13                       | GND (RX) | ◀--- | 32       | GND (TX) |
| 14                       | RX3p     | ◀--- | 33       | TX3p     |
| 15                       | RX3n     | ◀--- | 34       | TX3n     |
| 16                       | GND (RX) | ◀--- | 35       | GND (TX) |
| 17                       | RX1p     | ◀--- | 36       | TX1p     |
| 18                       | RX1n     | ◀--- | 37       | TX1n     |
| 19                       | GND (RX) | ◀--- | 38       | GND (TX) |
| 20                       | GND (RX) | ◀--- | 1        | GND (TX) |
| 21                       | RX2n     | ◀--- | 2        | TX2n     |
| 22                       | RX2p     | ◀--- | 3        | TX2p     |
| 23                       | GND (RX) | ◀--- | 4        | GND (TX) |
| 24                       | RX4n     | ◀--- | 5        | TX4n     |
| 25                       | RX4p     | ◀--- | 6        | TX4p     |
| 26                       | GND (RX) | ◀--- | 7        | GND (TX) |
| 32                       | GND (TX) | ---▷ | 13       | GND (RX) |
| 33                       | TX3p     | ---▷ | 14       | RX3p     |
| 34                       | TX3n     | ---▷ | 15       | RX3n     |
| 35                       | GND (TX) | ---▷ | 16       | GND (RX) |
| 36                       | TX1p     | ---▷ | 17       | RX1p     |
| 37                       | TX1n     | ---▷ | 18       | RX1n     |
| 38                       | GND (TX) | ---▷ | 19       | GND (RX) |

SHIELD-----▷ SHIELD


|  |            |                           |        |          |      |              |
|--|------------|---------------------------|--------|----------|------|--------------|
|  | title      | FINAL ASSEMBLY            | dwg no | 10093084 | Rev. | E            |
|  | catalog no | QSFPP+ (PASSIVE) ASSEMBLY |        | CUSTOMER |      | sheet 2 of 5 |

FDM: Rev:E STATUS:Released Printed: Dec 23, 2010

| PART NUMBER     | "DIM L" LENGTH (Meters) | AWG | NOTES   |
|-----------------|-------------------------|-----|---------|
| I0093084-1005LF | 0.5                     | 32  | NOTE 12 |
| I0093084-1010LF | 1.0                     | 32  |         |
| I0093084-2005LF | 0.5                     | 30  | NOTE 12 |
| I0093084-2010LF | 1.0                     | 30  |         |
| I0093084-2015LF | 1.5                     | 30  |         |
| I0093084-2020LF | 2.0                     | 30  |         |
| I0093084-2025LF | 2.5                     | 30  |         |
| I0093084-2030LF | 3.0                     | 30  |         |
| I0093084-2050LF | 5.0                     | 30  |         |
| I0093084-2070LF | 7.0                     | 30  |         |
| I0093084-3005LF | 0.5                     | 28  | NOTE 12 |
| I0093084-3010LF | 1.0                     | 28  |         |
| I0093084-3015LF | 1.5                     | 28  |         |
| I0093084-3020LF | 2.0                     | 28  |         |
| I0093084-3025LF | 2.5                     | 28  |         |
| I0093084-3030LF | 3.0                     | 28  |         |
| I0093084-3035LF | 3.5                     | 28  |         |
| I0093084-3040LF | 4.0                     | 28  |         |
| I0093084-3045LF | 4.5                     | 28  |         |
| I0093084-3050LF | 5.0                     | 28  |         |
| I0093084-3070LF | 7.0                     | 28  |         |
| I0093084-4005LF | 0.5                     | 26  | NOTE 12 |
| I0093084-4010LF | 1.0                     | 26  |         |
| I0093084-4015LF | 1.5                     | 26  |         |
| I0093084-4020LF | 2.0                     | 26  |         |
| I0093084-4025LF | 2.5                     | 26  |         |
| I0093084-4030LF | 3.0                     | 26  |         |
| I0093084-4035LF | 3.5                     | 26  |         |
| I0093084-4040LF | 4.0                     | 26  |         |
| I0093084-4045LF | 4.5                     | 26  |         |
| I0093084-4050LF | 5.0                     | 26  |         |
| I0093084-4055LF | 5.5                     | 26  |         |
| I0093084-4060LF | 6.0                     | 26  |         |
| I0093084-4065LF | 6.5                     | 26  |         |
| I0093084-4070LF | 7.0                     | 26  |         |

| PART NUMBER     | "DIM L" LENGTH (Meters) | AWG | NOTES   |
|-----------------|-------------------------|-----|---------|
| I0093084-5005LF | 0.5                     | 24  | NOTE 12 |
| I0093084-5010LF | 1.0                     | 24  |         |
| I0093084-5015LF | 1.5                     | 24  |         |
| I0093084-5020LF | 2.0                     | 24  |         |
| I0093084-5025LF | 2.5                     | 24  |         |
| I0093084-5030LF | 3.0                     | 24  |         |
| I0093084-5035LF | 3.5                     | 24  |         |
| I0093084-5040LF | 4.0                     | 24  |         |
| I0093084-5045LF | 4.5                     | 24  |         |
| I0093084-5050LF | 5.0                     | 24  |         |
| I0093084-5055LF | 5.5                     | 24  |         |
| I0093084-5060LF | 6.0                     | 24  |         |
| I0093084-5065LF | 6.5                     | 24  |         |
| I0093084-5070LF | 7.0                     | 24  |         |
| I0093084-5075LF | 7.5                     | 24  |         |
| I0093084-5080LF | 8.0                     | 24  |         |
| I0093084-5085LF | 8.5                     | 24  |         |
| I0093084-5090LF | 9.0                     | 24  |         |
| I0093084-5095LF | 9.5                     | 24  |         |
| I0093084-5100LF | 10.0                    | 24  |         |

**NON-HALOGEN FREE CABLE ASSEMBLY PART NUMBERS**

|   |            |                          |        |          |              |   |
|---|------------|--------------------------|--------|----------|--------------|---|
|  | title      | FINAL ASSEMBLY           | dwg no | 10093084 | Rev.         | E |
|   |            | QSFP+ (PASSIVE) ASSEMBLY |        |          |              |   |
|   | catalog no |                          |        | CUSTOMER | sheet 3 of 5 |   |


REV F - 2006-04-17

FDM: Rev:E STATUS:Released Printed: Dec 23, 2010

| PART NUMBER       | "DIM L" LENGTH (Meters) | AWG | NOTES   |
|-------------------|-------------------------|-----|---------|
| I0093084-1005HFLF | 0.5                     | 32  | NOTE 11 |
| I0093084-1010HFLF | 1.0                     | 32  |         |
| I0093084-2005HFLF | 0.5                     | 30  | NOTE 11 |
| I0093084-2010HFLF | 1.0                     | 30  |         |
| I0093084-2015HFLF | 1.5                     | 30  |         |
| I0093084-2020HFLF | 2.0                     | 30  |         |
| I0093084-2025HFLF | 2.5                     | 30  |         |
| I0093084-2030HFLF | 3.0                     | 30  |         |
| I0093084-2050HFLF | 5.0                     | 30  |         |
| I0093084-2070HFLF | 7.0                     | 30  | NOTE 11 |
| I0093084-3005HFLF | 0.5                     | 28  |         |
| I0093084-3010HFLF | 1.0                     | 28  |         |
| I0093084-3015HFLF | 1.5                     | 28  |         |
| I0093084-3020HFLF | 2.0                     | 28  |         |
| I0093084-3025HFLF | 2.5                     | 28  |         |
| I0093084-3030HFLF | 3.0                     | 28  |         |
| I0093084-3035HFLF | 3.5                     | 28  |         |
| I0093084-3040HFLF | 4.0                     | 28  |         |
| I0093084-3045HFLF | 4.5                     | 28  |         |
| I0093084-3050HFLF | 5.0                     | 28  | NOTE 11 |
| I0093084-3070HFLF | 7.0                     | 28  |         |
| I0093084-4005HFLF | 0.5                     | 26  |         |
| I0093084-4010HFLF | 1.0                     | 26  |         |
| I0093084-4015HFLF | 1.5                     | 26  |         |
| I0093084-4020HFLF | 2.0                     | 26  |         |
| I0093084-4025HFLF | 2.5                     | 26  |         |
| I0093084-4030HFLF | 3.0                     | 26  |         |
| I0093084-4035HFLF | 3.5                     | 26  |         |
| I0093084-4040HFLF | 4.0                     | 26  |         |
| I0093084-4045HFLF | 4.5                     | 26  | NOTE 11 |
| I0093084-4050HFLF | 5.0                     | 26  |         |
| I0093084-4055HFLF | 5.5                     | 26  |         |
| I0093084-4060HFLF | 6.0                     | 26  |         |
| I0093084-4065HFLF | 6.5                     | 26  |         |
| I0093084-4070HFLF | 7.0                     | 26  |         |

| PART NUMBER       | "DIM L" LENGTH (Meters) | AWG | NOTES   |
|-------------------|-------------------------|-----|---------|
| I0093084-5005HFLF | 0.5                     | 24  | NOTE 11 |
| I0093084-5010HFLF | 1.0                     | 24  |         |
| I0093084-5015HFLF | 1.5                     | 24  |         |
| I0093084-5020HFLF | 2.0                     | 24  |         |
| I0093084-5025HFLF | 2.5                     | 24  |         |
| I0093084-5030HFLF | 3.0                     | 24  |         |
| I0093084-5035HFLF | 3.5                     | 24  |         |
| I0093084-5040HFLF | 4.0                     | 24  |         |
| I0093084-5045HFLF | 4.5                     | 24  |         |
| I0093084-5050HFLF | 5.0                     | 24  |         |
| I0093084-5055HFLF | 5.5                     | 24  |         |
| I0093084-5060HFLF | 6.0                     | 24  |         |
| I0093084-5065HFLF | 6.5                     | 24  |         |
| I0093084-5070HFLF | 7.0                     | 24  |         |
| I0093084-5075HFLF | 7.5                     | 24  |         |
| I0093084-5080HFLF | 8.0                     | 24  |         |
| I0093084-5085HFLF | 8.5                     | 24  |         |
| I0093084-5090HFLF | 9.0                     | 24  |         |
| I0093084-5095HFLF | 9.5                     | 24  |         |
| I0093084-5100HFLF | 10.0                    | 24  |         |

**HALOGEN FREE CABLE ASSEMBLY PART NUMBERS**

|   |            |                          |        |          |              |  |
|---|------------|--------------------------|--------|----------|--------------|--|
|  | title      | FINAL ASSEMBLY           | dwg no | 10093084 | Rev.         |  |
|   |            | QSFP+ (PASSIVE) ASSEMBLY |        |          | E            |  |
|   | catalog no |                          |        | CUSTOMER | sheet 4 of 5 |  |

| Product number    | DESCRIPTION       | NOTES      |
|-------------------|-------------------|------------|
| I0093084-XXXXLF   | NON-HF            | SEE SHT. 3 |
| I0093084-XXXXHFLF | HALOGEN FREE (HF) | SEE SHT. 4 |

NOTES:

① - MATERIAL:  
 CASTINGS: ZINC ALLOY/ COPPER UNDERPLATE/ NICKEL OVERPLATE  
 PULL TAB: THERMOPLASTIC POLYMER  
 LATCH RELEASE: ZINC DIECAST, NICKEL OVERPLATE  
 DRIVE SCREWS: STAINLESS STEEL  
 STRAIN RELIEF COLLAR: BRASS  
 SPRING: STAINLESS STEEL  
 LOCTITE  
 PADDLE CARD: PRINTED CIRCUIT SUBSTRATE

2 - THIS PRODUCT MEETS THE RESTRICTION OF HAZARDOUS SUBSTANCES IN ELECTRICAL AND ELECTRONIC EQUIPMENT (RoHS) DIRECTIVE (2002/95/EC)

③ - THIS DIMENSION IS A FINISHED PRODUCT LENGTH.

⚠ ④ - UNLESS OTHERWISE SPECIFIED ASSEMBLED LENGTH TOLERANCE IS TO BE:  
 "DIM L" < 1 METER = ± 25mm  
 "DIM L" = 1 METER TO 10 METERS = ± 2% OF "DIM L"  
 "DIM L" > 10 METERS = +0.00 / -4% OF "DIM L"

⑤ - UNLESS OTHERWISE SPECIFIED LABEL POSITION IS TO BE 50mm FROM REAR OF CONNECTOR.  
 LABEL DETAILS:  
 MANUFACTURER CODE OR NAME COUNTRY ORIGIN  
 CUSTOMER P/N OR FCJ P/N  
 REVISION  
 DATE CODE (YY/MM/DD FORMAT) - SERIAL NUMBER

FONT SHALL BE CLEARLY VISIBLE AND BLACK IN COLOR.

⑥ - ALL CABLE ASSEMBLIES SHALL BE 100% TESTED FOR CONTINUITY AS DEFINED IN WIRING LIST.  
 ALL CABLE ASSEMBLIES SHALL BE 100% HI-POT TESTED.

7 - IMPEDANCE: 100Ω DIFFERENTIAL.

8 - OTHER TESTING PERFORMED AS REQUIRED BY PRODUCT SPECIFICATION: GS-12-622.


⚠ 9 - PACKAGING OF LEAD FREE PRODUCTS MEETS LABELING AND PACKAGING PER SPECIFICATION GS-14-920.  
 PACKAGE CABLE ASSEMBLIES PER GS-14-1272. DUST CAPS ARE TO BE ASSEMBLED PRIOR TO PACKAGING.

10. A "⚠" SYMBOL WILL BE NEXT TO ANY DIMENSION, VIEW, OR NOTE WHICH HAS BEEN MODIFIED WITH THE CURRENT DRAWING REVISION. THE CURRENT REVISION WILL BE SHOWN IN THE SYMBOL.

⑪ "HF" PRODUCT NUMBERS DESIGNATE THE USE OF HALOGEN FREE RAW CABLE.

⑫ HALOGEN FREE RAW CABLE CAN BE USED AS A SUBSTITUTE ON NON-HF PRODUCT NUMBERS.

13. LONGER LENGTH APPLICATIONS REQUIRE HOST SYSTEM PREMPHASIS AND/OR EQUALIZATION.

|   |            |                          |          |              |      |   |
|---|------------|--------------------------|----------|--------------|------|---|
|  | title      | FINAL ASSEMBLY           | dwg no   | 10093084     | Rev. | E |
|   | catalog no | QSFP+ (PASSIVE) ASSEMBLY | CUSTOMER | sheet 5 of 5 |      |   |

REV F - 2006-04-17

FDM: Rev:E STATUS: Released Printed: Dec 23, 2010