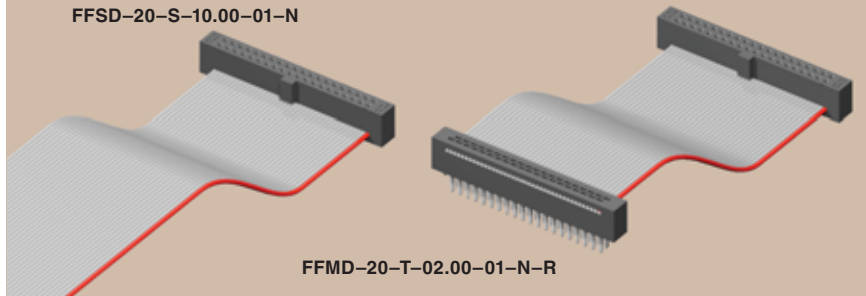




(1,27mm) .050"

FFSD, FFMD SERIES



TIGER EYE™ FLAT IDC WIRE CABLES

SPECIFICATIONS

Mates with:

FTS, FTSH, EHF, SHF, ESHF

For complete specifications see www.samtec.com?FFSD

FFSD

Insulator Material:



PBT

Contact:

BeCu

Plating:

10µ" (0,25µm) Au over 50µ" (1,27µm) Ni on contact area;

Sn over 50µ" (1,27µm) Ni on balance

Wire:

30 AWG

Current Rating:

0.5A

Operating Temp Range:

-40°C to +105°C

Lead Size Accepted:

(0,41mm) .016" SQ

Contact Resistance:

15 mΩ maximum

delta from initial

Insertion Depth:

(2,64mm) .104" to

(3,17mm) .125"

Insertion Force:

(Single contact only)

5oz (1,39N) avg.

Withdrawal Force:

(Single contact only)

3oz (0,83N) avg.

RoHS Compliant:

Yes

Note: This Series is non-standard, non-returnable.

SPECIFICATIONS

Mates with:

FLE*, SFMC*

For complete specifications see www.samtec.com?FFMD

FFMD

Insulator Material:



Black Glass Filled

Polyester

Terminal: BeCu

Plating:

Sn over 50µ" (1,27µm) Ni

Wire: 30 AWG

Current Rating: 0.5A

Operating Temp Range:

-40°C to +105°C

RoHS Compliant: Yes

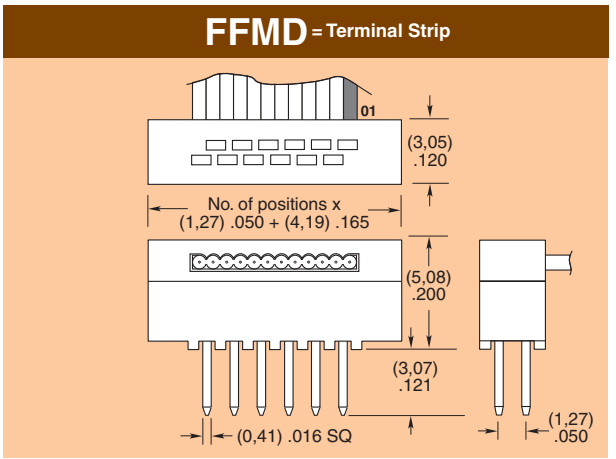
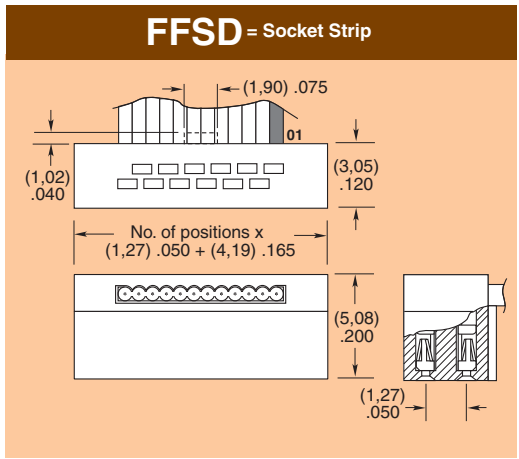
***Note:** Standard FFMD callout will not mate with FLE, SFMC. Must use gold plated callouts. (See drawing on web.)

When mated with a socket, Wire 1 mates with Pin 2;

Wire 2 mates with Pin 1, etc.

Note: This Series is non-standard, non-returnable.

TYPE STRIP	NO. PINS PER ROW	END OPTION	OVERALL LENGTH	01	OPTION	OTHER OPTION
	-05, -08, -10, -13, -17, -20, -25 (Call for other sizes)		"XX.XX" = Assembled Length Assembled Length in INCHES (±.130") 2 inches minimum		-N = Notch Polarization (FFSD only)	Leave blank for -S and -D End Options. For -T End Option Specify "-N" (Socket has notch polarization) (FFMD only)
		-S = Single End 				
		-D = Double End 				
		-T = Transfer End (FFMD only) 				
		-RW = Reverse Wiring 				
		-D "XX" = Daisy Chain 				
		-R = Reverse 				
		-O = Outside Reverse 				
		-M = Middle Reverse 				
		-SR = Strain Relief 				



Due to technical progress, all designs, specifications and components are subject to change without notice.

WWW.SAMTEC.COM