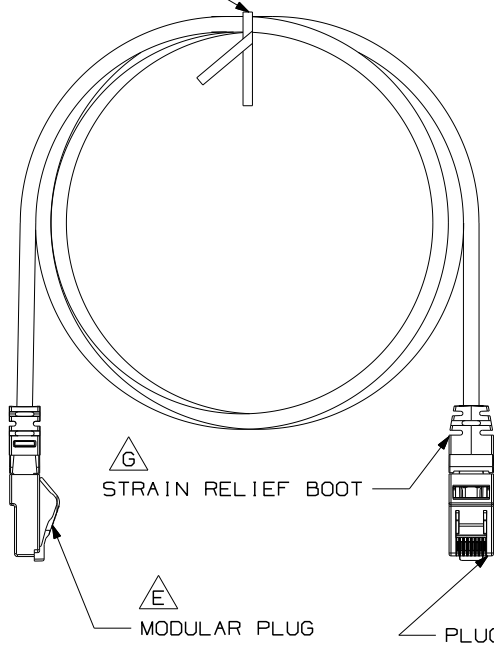


THIS COPY IS PROVIDED ON A RESTRICTED BASIS AND IS NOT TO BE USED IN ANY WAY DETRIMENTAL TO THE INTERESTS OF PANDUIT CORP.



NOTES:

- **1. SEE CURRENT CATALOG FOR VARIOUS APPLICATIONS AND TO INDICATE COLOR AND OR PACKAGE QUANTITY.
- 2. SEE CATALOG FOR A COMPLETE LIST OF PARTS APPLICABLE FOR USE WITH THIS PART.
- 3. TERMINATED WITH (8 POSITION) MODULAR PLUGS AT BOTH ENDS PER T568B.
- 4. CONSTRUCTED WITH STRANDED CAT6 UTP CM PATCH CABLE
- 5. MATERIALS:
PLUG: POLYCARBONATE
BOOT: CLEAR PVC
- 6. DIMENSIONS IN PARENTHESES ARE IN METRIC.

T568B WIRING SCHEME

PLUG POSITION:	CABLE WIRE:
1	WHITE/ORANGE
2	ORANGE
3	WHITE/GREEN
4	BLUE
5	WHITE/BLUE
6	GREEN
7	WHITE/BROWN
8	BROWN

CABLE COLORS	** = COLOR
OFF WHITE	--
BLACK	BL
BLUE	BU
RED	RD
YELLOW	YL
GREEN	GR
ORANGE	OR
VIOLET	VL

SEE SHEET 2 FOR PATCH CORD LENGTHS AND PART NUMBERS

MODEL FILENAME	M01185AC_PLUG_ASSY_04.PRT	SIZE	A
DRAWING FILENAME	M02479NV_DC360_00B.PRT		
TITLE	TX6 PLUS UTP PATCH CORD CUSTOMER DRAWING		
 PANDUIT [®] CORP. TINLEY PARK, IL 60477	I.I. NUMBER		
	PRODUCT SPEC		
 THIRD ANGLE PROJECTION	WORK INSTRUCTION		
	SCALE	NONE	
DRAWN BY	NER	PART NO.	UTPSPXX**Y
DATE	3-28-06	DRAWING NO.	02479-360
CHK'D	WJC	SHEET 1 OF 2	

REV	DATE	BY	CHK	DESCRIPTION	ECN	R	CUST	SUP	OTH
I	4-23-07	BJN	EJH	G. ADDED STRAIN RELIEF BOOT F. TX6 PLUS UTP WAS TX-6™ PLUS CATEGORY 6 E. ADDED MODULAR PLUG C. ADDED COLOR TABLE D. ADDED CABLE LG A. ADDED SH2 B. ADDED NOTES 3-5	02479-360		REGA		
R	3-28-06	NER	WJC	RELEASED TO PRODUCTION	02479-360		RMD		

THIS COPY IS PROVIDED ON A RESTRICTED BASIS AND IS NOT TO BE USED IN ANY WAY DETRIMENTAL TO THE INTERESTS OF PANDUIT CORP.

TX6 PLUS UTP PATCH CORDS

PANDUIT PART NUMBER	MIN. CABLE LENGTH	PANDUIT PART NUMBER	MIN. CABLE LENGTH
UTPSP1**Y	1 FT.	UTPSP0.5M**Y	0.5 METER
UTPSP2**Y	2 FT.	UTPSP1M**Y	1 METER
UTPSP3**Y	3 FT.	UTPSP1.5M**Y	1.5 METER
UTPSP4**Y	4 FT.	UTPSP2M**Y	2 METERS
UTPSP5**Y	5 FT.	UTPSP2.5M**Y	2.5 METERS
UTPSP6**Y	6 FT.	UTPSP3M**Y	3 METERS
UTPSP7**Y	7 FT.	UTPSP4M**Y	4 METERS
UTPSP8**Y	8 FT.	UTPSP5M**Y	5 METERS
UTPSP9**Y	9 FT.	UTPSP6M**Y	6 METERS
UTPSP10**Y	10 FT.	UTPSP7M**Y	7 METERS
UTPSP11**Y	11 FT.	UTPSP8M**Y	8 METERS
UTPSP12**Y	12 FT.	UTPSP9M**Y	9 METERS
UTPSP13**Y	13 FT.	UTPSP10M**Y	10 METERS
UTPSP14**Y	14 FT.	UTPSP15M**Y	15 METERS
UTPSP15**Y	15 FT.	UTPSP20M**Y	20 METERS
UTPSP16**Y	16 FT.	UTPSP25M**Y	25 METERS
UTPSP17**Y	17 FT.	UTPSP30M**Y	30 METERS
UTPSP18**Y	18 FT.	UTPSP35M**Y	35 METERS
UTPSP19**Y	19 FT.	UTPSP40M**Y	40 METERS
UTPSP20**Y	20 FT.		
UTPSP25**Y	25 FT.		
UTPSP30**Y	30 FT.		
UTPSP35**Y	35 FT.		
UTPSP40**Y	40 FT.		



MODEL FILENAME	M01185AC_PLUG_ASSY_04.PRT	SIZE	A
DRAWING FILENAME	M02479NV_DC360_00B.PRT		
TITLE	TX6 PLUS UTP PATCH CORD CUSTOMER DRAWING		
	PANDUIT [®] CORP. TINLEY PARK, IL 60477	I.I. NUMBER	
	THIRD ANGLE PROJECTION	PRODUCT SPEC	
	ALL DIMENSIONS ARE GIVEN IN INCHES. UNLESS OTHERWISE SPECIFIED. DIMENSIONAL TOLERANCES ARE: (.X) ± (.XXX) ± (.XX) ± ANGLES ±	WORK INSTRUCTION	
		SCALE	NONE
DRAWN BY	NER	REVIEW DRAWING NUMBERS	PART NO. UTPSPXX**Y
DATE	3-28-06		
CHK'D	WJC	DRAWING NO.	02479-360
		SHEET	2 OF 2

REV	DATE	BY	CHK	DESCRIPTION	ECN	R	CUST	SUP	OTH
1	4-23-07	BJN	EJH	SEE SHEET 1 FOR REVISIONS	02479-360		REGA		