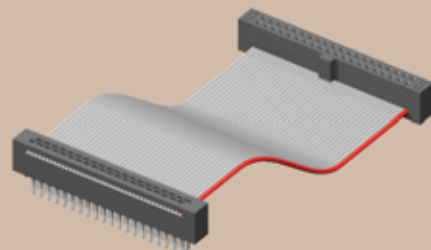
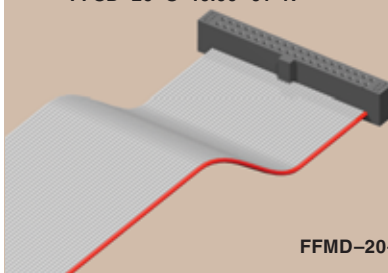




(1,27mm) .050"

FFSD, FFMD SERIES

FFSD-20-S-10.00-01-N



FFMD-20-T-02.00-01-N-R

TIGER EYE™ FLAT IDC WIRE CABLES

SPECIFICATIONS

Mates with:
FTS, FTSH, EHF,
SHF, ESHF

For complete specifications
see www.samtec.com?FFSD

FFSD

Insulator Material:
PBT
Contact:
BeCu
Plating:
10µ" (0,25µm) Au over 50µ"
(1,27µm) Ni on contact area;
Sn over 50µ" (1,27µm) Ni
on balance



Wire:
30 AWG
Current Rating:
0.5A

Operating Temp Range:
-40°C to +105°C

Lead Size Accepted:
(0,41mm) .016" SQ

Contact Resistance:
15 mΩ maximum

delta from initial

Insertion Depth:
(2,64mm) .104" to

(3,17mm) .125"

Insertion Force:
(Single contact only)

5oz (1,39N) avg.

Withdrawal Force:
(Single contact only)

3oz (0,83N) avg.

RoHS Compliant:
Yes

Note: This Series is
non-standard, non-returnable.

SPECIFICATIONS

Mates with:
FLE*, SFMC*

For complete specifications
see www.samtec.com?FFMD

FFMD

Insulator Material:
Black Glass Filled
Polyester



Terminal: BeCu

Plating:
Sn over 50µ" (1,27µm) Ni

Wire: 30 AWG

Current Rating: 0.5A

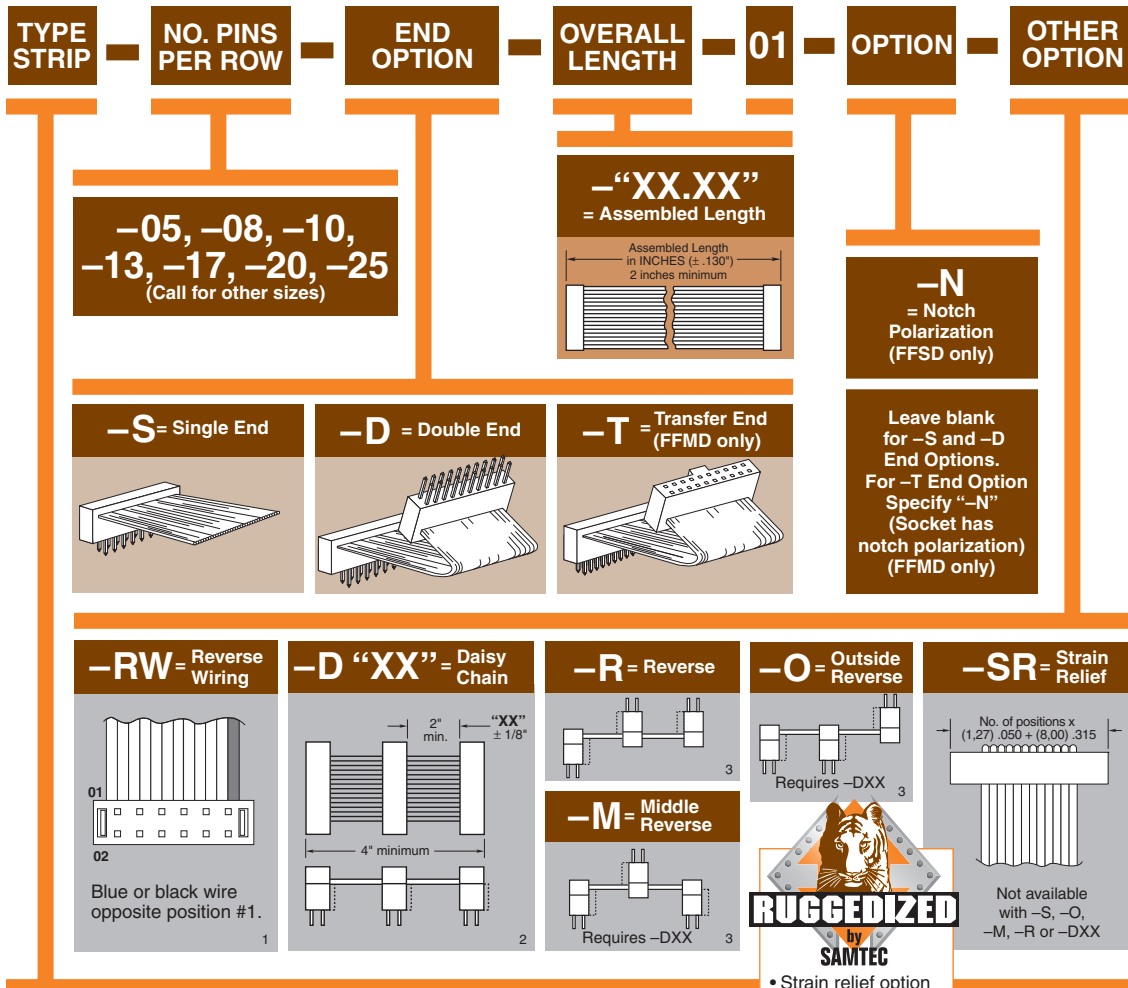
Operating Temp Range:
-40°C to +105°C

RoHS Compliant: Yes

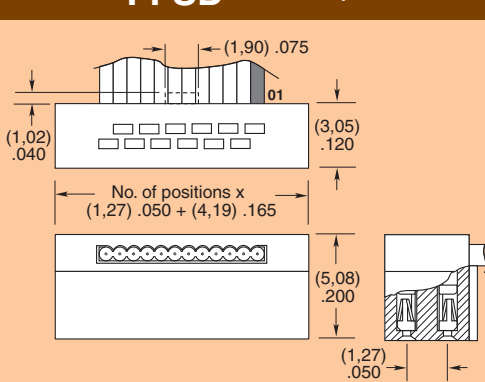
***Note:** Standard FFMD callout
will not mate with FLE, SFMC.
Must use gold plated callouts.
(See drawing on web.)

When mated with a socket,
Wire 1 mates with Pin 2;
Wire 2 mates with Pin 1, etc.

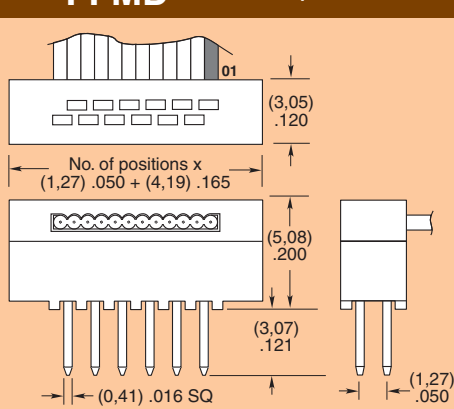
Note: This Series is
non-standard, non-returnable.



FFSD = Socket Strip



FFMD = Terminal Strip



Due to technical progress, all designs, specifications and components are subject to change without notice.

WWW.SAMTEC.COM