

Table of Contents

Nano-Miniature Connectors Introduction 139

Nano-Miniature Connectors Technical and Performance Data 140

DUALOBE Rectangular Connectors 141-178

 Introduction 141

Wired Connectors

 Single Row 142

 Two Row 143

 Part Numbering Guideline for Wired Connectors 144

Jumper Assemblies

 Single Connectors 145, 146

 Two Row Connectors 147, 148

 Part Numbering Guideline for Jumper Assemblies 149

Surface Mount Connectors

Horizontal

 Single Row 150

 Two Row 151

Vertical

 Single Row 152-154

 Two Row 155, 156

Thru-Hole Connectors

Horizontal

 1 Row to 2 Row 157

 2 Row to 4 Row 158

Vertical

 1 Row to 2 Row 159

 2 Row to 4 Row 160

 Part Numbering Guideline for SMT and Through-Hole Connectors 161

Flex Termination "Duckbill" Connectors

 Two Row 162, 163

 Part Numbering Guideline for Flex Termination "Duckbill" Connectors 163

Solder Cup Connectors

 Single Row 164

 Two Row 165

 Part Numbering Guideline for Solder Cup Termination 166

Panel Mount Connectors

 Single Row 167

 Two Row 168

 Part Numbering Guideline for Panel Mount Connectors 169

 Part Number Index Cross Reference 170-178

Table of Contents (Continued)

Circular Connectors 179-196

Introduction 179

Quick Disconnect

Plug Assemblies 180, 181

Plug Assemblies with Backshells 182, 183

Receptacle Assemblies, Flush Mount 184, 185

Threaded Coupling

Plug Assemblies 186, 187

Plug Assemblies with Backshells 188, 189

Receptacle Assemblies, Panel Mount 190, 191

Panel Mount Receptacle Assemblies w/Backshells. 192, 193

Part Numbering Guideline for Environmentally Sealed Circular Connectors. 194

Part Number Index Cross Reference 195

Coaxial Connectors 197-206

Introduction 197

Typical VSWR and Insertion Loss 198

50 Ohm Coax Connectors 199

Part Numbering Guideline for 50 Ohm Coax Connectors 200

Horizontal SMT 50 Ohm Coax Connectors. 201

Part Numbering Guideline for Horizontal SMT 50 Ohm Coax Connectors 202

50 Ohm Coax with Mixed Signal Connectors. 203

Part Numbering Guideline for 50 Ohm Coax w/Mixed Signal Connectors 204

Part Number Index Cross Reference 205

Strip Connectors 207-214

Introduction 207

Wired Connectors 208

Part Numbering Guideline for Strip Wired Connectors 209

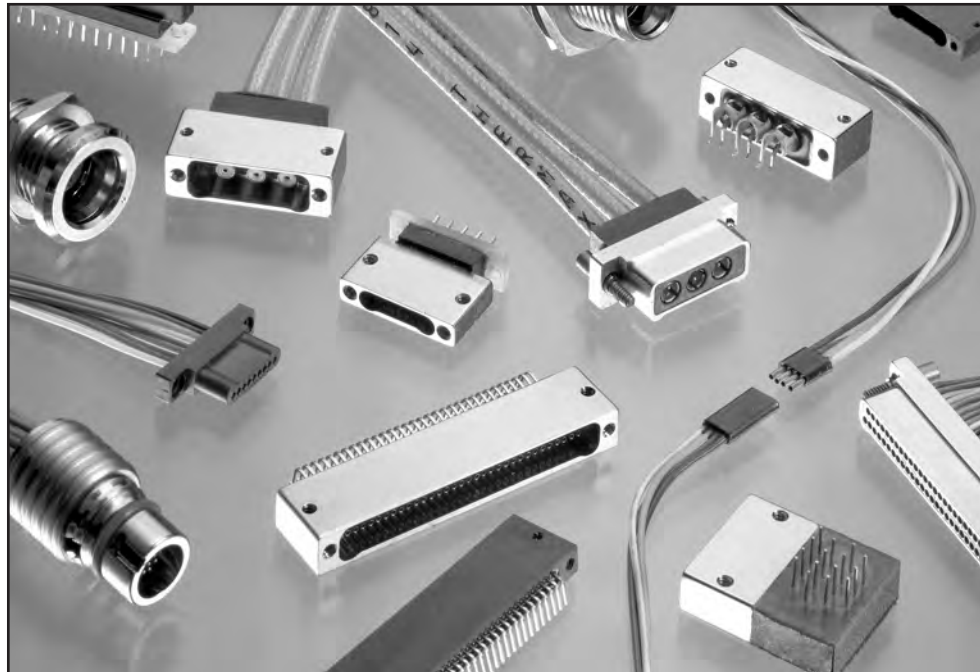
Surface Mount Connectors 210

Thru-Hole Connectors. 211

Part Numbering Guideline for SMT and Thru-Hole Connectors 212

Part Number Index Cross Reference 213

Nano-Miniature Connectors - Introduction



Nano-miniature connectors constitute a family of interconnect devices with center to center contact spacing of .025". In comparison to other connector families, they are often thought of as the smallest practical connector system for separable interfaces. Despite being smaller, these nano-miniature connectors are tested with a few size-related modifications per the guidelines of MIL-DTL-83513 (written for .050" micro-miniature connectors). Nano-miniature connectors combine their appealing size and weight with desired performance attributes such as high reliability, low contact resistance and wide operating temperature range,

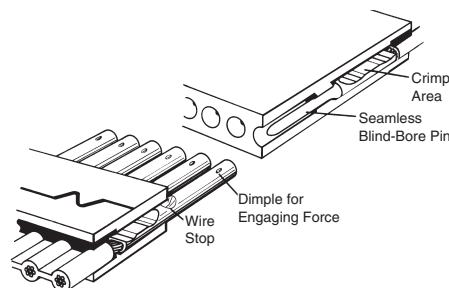
making them among the smallest and toughest connectors available to designers.

The Contact System

Nanonics connectors utilize the same contact system throughout the entire product family. This contact system uses a "spring socket" as opposed to most connector designs, which use a "spring pin". In this design, the socket member of the contact pair employs a dimple located inside the contact tube. When the pin is engaged with this socket, the dimple creates the desired spring action by forcing the pin to offset to the opposite side

of the socket tube. The result is a gold-on-gold mating area covering a minimum of 180° of the contact surface. This also creates a desirable mating force of no greater than 6 ounces per contact and a resistance of .003 ~ .008 ohms. This type of contact system begins with a pre-plated BeCu alloy material that is then formed to yield a rugged, seamless contact. Both the blind-bore seamless pin and the seamless one piece socket have a burnished gold finish on both the inside and outside surfaces. This gold finish provides contact integrity for superior reliability and environmental performance.

Contact Configuration



Nano-Miniature Connectors**Technical and Performance Data****Electrical****Contact Resistance** – .003 - .008 ohms**Current Rating** – 1 amp max. per contact**Dielectric Withstanding Voltage** – Volts RMS 60 Hz at room ambient conditions. At sea level 500V. At 70,000 ft. 150V.**Insulation Resistance** – 5000 megohms min. (@ 500 VDC) at room ambient conditions.**Magnetic Permeability** – 2 mu max.**Mechanical****Contact Engagement & Separation** – Engaging force is 6.0 oz. max. Separation force is 0.5 oz. min.**Mating Force Maximum** – Calculated as 10 oz. multiplied by the number of contacts.**Environmental****Temperature Range** – -200° C to +200° C**Shock** – No discontinuity in excess of 1 μ sec. when tested in accordance with MIL-STD-1344, Method 2004.1, Test Condition E.**Vibration** – No discontinuity in excess of 1 μ sec. when tested in accordance with MIL-STD-1344, Method 2005.1, Test Condition IV.**Solderability** – Connectors shall meet the test requirements of MIL-STD-202, Method 208.**Durability** – No mechanical or electrical defects detrimental to the function of the connectors after 500 cycles of mating and unmating, without the use of hardware.**Humidity** – After exposure to humidity as specified by MIL-STD-1344, Method 1002.2, Type II, IR shall be 1 megohm min. (@ 100 VDC) within 2 hours of conditioning and 1000 megohms min. (@ 100 VDC) after 24 hours of conditioning.**Salt Spray** – Connectors shall meet the performance requirements of contact resistance, mating and unmating forces, and contact retention after being subjected to the 48 hour 5 % solution salt spray test per MIL-STD-1344, Method 1001, Condition B.**Fluid Immersion** – Unmated connectors after being fully immersed in one of the following fluids, for the prescribed time, will mate at a force of 10 oz. multiplied by the number of contacts or less: Perchloroethylene, 2 hours; Lubricating oil per MIL-L-23699, 20 hours.**Crimp Tensile Strength** – (Unassembled contacts with crimped stranded wire terminations) Wires will not pull out of the contacts when the following axial load is applied: #30 AWG, 2 lbs.**Thermal Vacuum Outgassing** – Connectors shall have a maximum total mass loss (TML) of 1.0 % of the original specimen mass and a maximum collected volatile condensable materials (CVCM) content of 0.1 % of the original specimen mass when tested in accordance with SP-R-0022A.**Material and Finish****Contacts** – BeCu alloy plated with gold per MIL-G-45204 Type II over nickel per QQ-N-290.**Plastic Insulators and Shells** – 30% glassed filled Liquid Crystal Polymer (LCP).**Metal Shells** – 6061-T6 Aluminum with electroless nickel plating per MIL-C-26074. Stainless steel and gold plated shells are also available.

DUALOBE Rectangular Connectors



Nanonics D-style rectangular connectors have earned the distinction of being the most popular and widely utilized style of Nano connectors. These connectors incorporate the DUALOBE polarization scheme. This polarization scheme negates the need for mating guide pins and does not increase the package size. The DUALOBE series of connectors are available in both machined aluminum and molded plastic shells, both in one and two row connector housings. Single row configurations commonly have standard pin counts from 5 to 51, while the higher density two row configurations have pin counts from 9 to 65. These connectors can be terminated in many different ways. Standard configurations include wires, surface mount, thru-hole, solder

cup, "duckbill", and panel mount. Wired harness assemblies and custom configurations can also be accommodated. Such custom configurations include filtered, hermetic, environmentally sealed, and blind mate connectors.

This family of connectors is designed to meet the requirements of MIL-DTL-83513, with a few size related modifications. Designed primarily for the military and aerospace industry, the DUALOBE series is especially well suited when high reliability, coupled with reduced size and weight, are serious design parameters. A clear example of this is the use of Nanonics connectors in such applications as smart munitions, missile defense, aircraft communications, and UAV's. In addition to the above applications, with

the wide temperature range of the DUALOBE connector (-200°C to +200°C), the space and petroleum industries have also found many uses for this connector. The performance and reliability at cryogenic temperatures, along with the low outgassing material properties, has led to an increased usage in space applications. Such applications include nitrogen-cooled optics, low and high earth orbiting satellites, telescopes, deep space probes, orbiters, and rovers. On the opposite end of the spectrum, the petroleum exploration industry utilizes these connectors for their performance and reliability in downhole environments at temperatures exceeding 150°C.

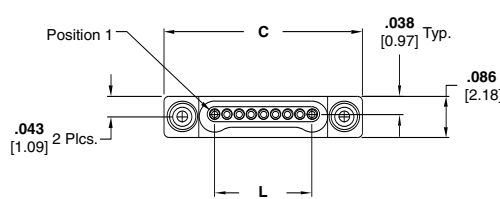
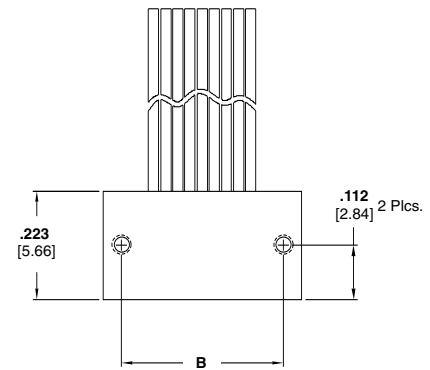
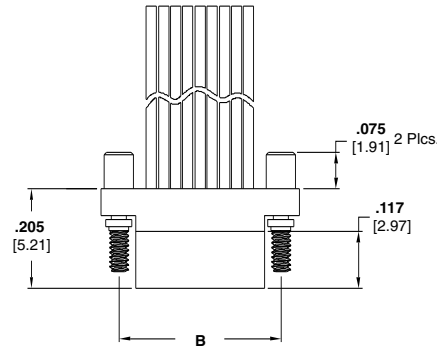
Wired Connectors — Single Row, Flying Leads



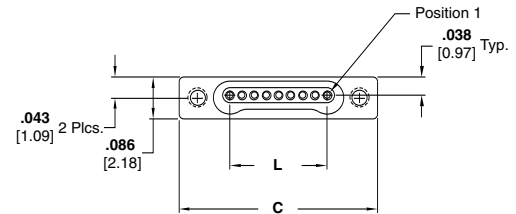
Plug



Receptacle



Plug with Flying Leads
Drawing Number 1589455



Receptacle with Flying Leads
Drawing Number 1589457

Product Facts

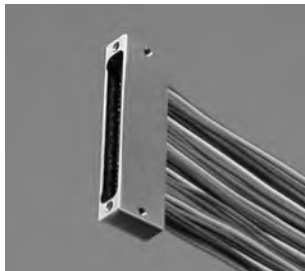
- Plastic or Metal Shell
- Standard Sizes: 5, 9, 15, 25, 37, and 51
- Factory wired to your specifications
- Contact Tyco Electronics for custom configurations

Size	Dimensions		
	B	C	L
5	0.233 [5.92]	0.3085 [7.84]	0.100 [2.54]
9	0.333 [8.46]	0.4085 [10.38]	0.200 [5.08]
15	0.483 [12.27]	0.5585 [14.19]	0.350 [8.89]
25	0.733 [18.62]	0.8085 [20.54]	0.600 [15.24]
37	1.033 [26.24]	1.1085 [28.16]	0.900 [22.86]
51	1.383 [35.13]	1.4585 [37.05]	1.250 [31.75]

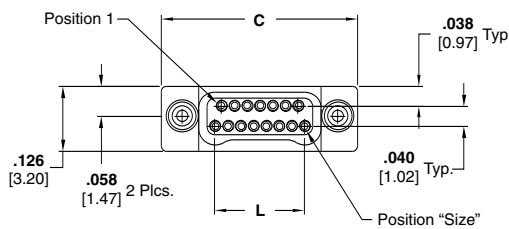
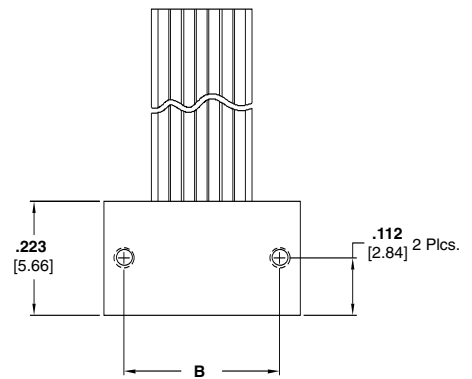
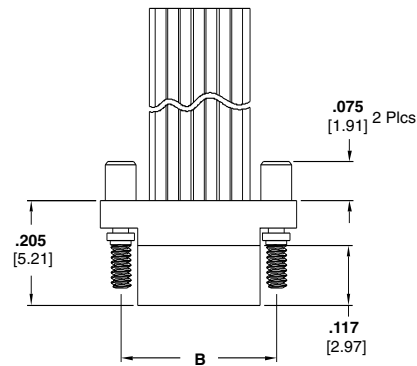
Wired Connectors — Two Row, Flying Leads



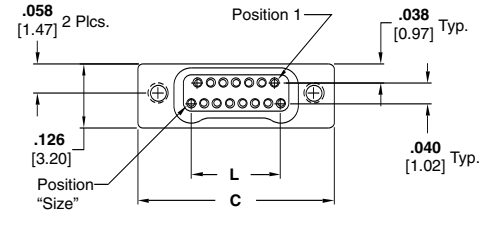
Plug



Receptacle



Plug with Flying Leads
Drawing Number 1589472



Receptacle with Flying Leads
Drawing Number 1589476

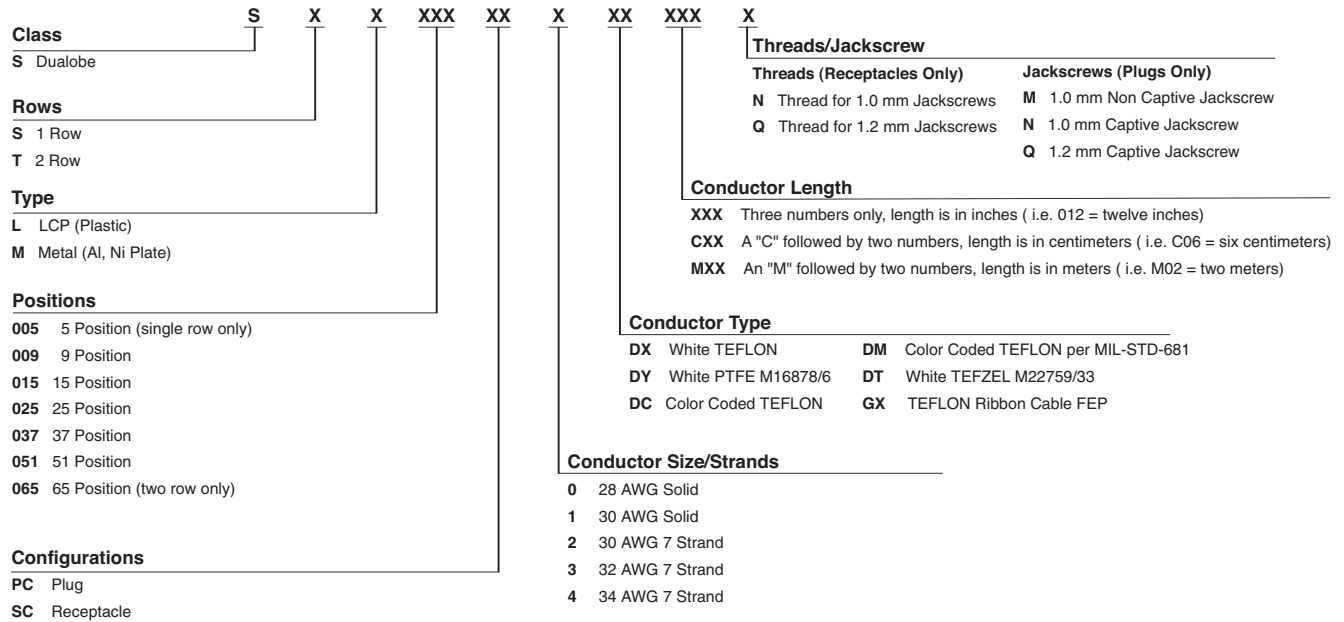
Product Facts

- Plastic or Metal Shell
- Standard Sizes: 9, 15, 25, 37, 51 and 65
- Factory wired to your specifications
- Contact Tyco Electronics for custom configurations

Size	Dimensions		
	B	C	L
9	0.229 [5.82]	0.3085 [7.84]	0.100 [2.54]
15	0.304 [7.72]	0.3835 [9.74]	0.175 [4.45]
25	0.429 [10.90]	0.5085 [12.92]	0.300 [7.62]
37	0.579 [14.71]	0.6585 [16.73]	0.450 [11.43]
51	0.754 [19.15]	0.8335 [21.17]	0.625 [15.88]
65	0.929 [23.60]	1.0085 [25.62]	0.800 [20.32]

Part Numbering Guideline for Wired Connectors

DUALOBE Connectors - Wire Terminations



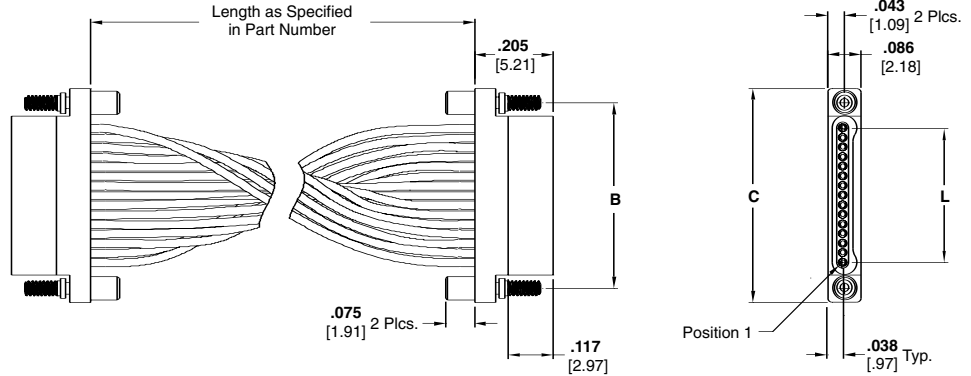
Jumper Assembly Connectors — Single Row



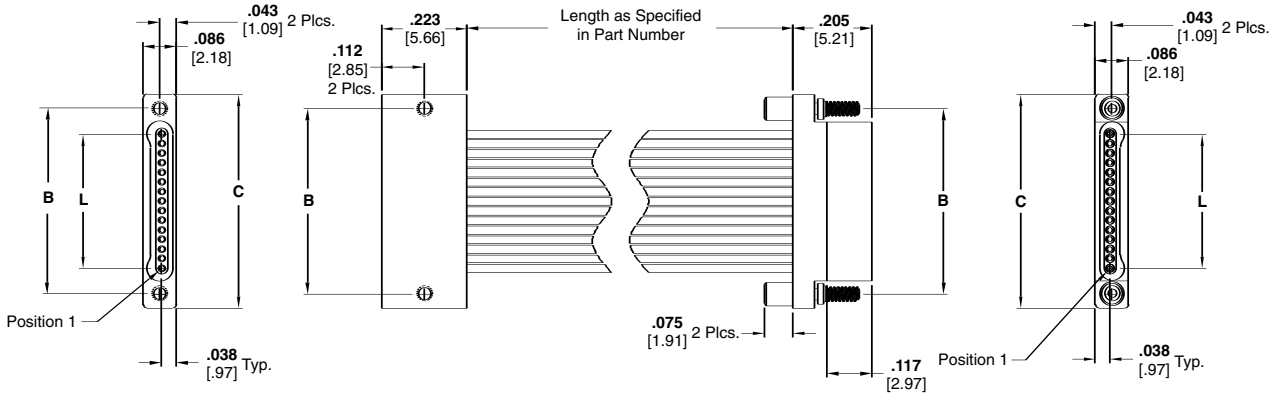
Plug to Receptacle

Product Facts

- Plastic or Metal Shell
- Standard Sizes: 5, 9, 15, 25, 37, and 51
- Factory wired to your specifications
- Contact Tyco Electronics for custom configurations



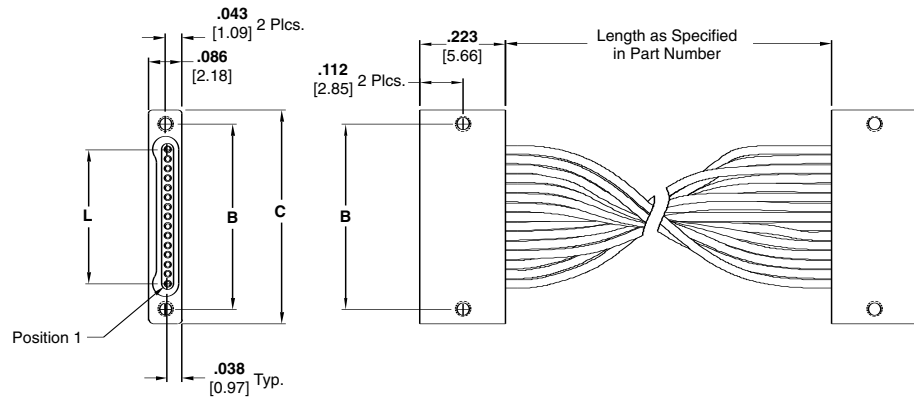
Plug to Plug
Drawing Number 1589735



Plug to Receptacle
Drawing Number 1589736

Size	Dimensions		
	B	C	L
5	0.233 [5.92]	0.3085 [7.84]	0.100 [2.54]
9	0.333 [8.46]	0.4085 [10.38]	0.200 [5.08]
15	0.483 [12.27]	0.5585 [14.19]	0.350 [8.89]
25	0.733 [18.62]	0.8085 [20.54]	0.600 [15.24]
37	1.033 [26.24]	1.1085 [28.16]	0.900 [22.86]
51	1.383 [35.13]	1.4585 [37.05]	1.250 [31.75]

Jumper Assembly Connectors — Single Row (Continued)



**Receptacle to Receptacle
Drawing Number 1589803**

Size	Dimensions		
	B	C	L
5	0.233 [5.92]	0.3085 [7.84]	0.100 [2.54]
9	0.333 [8.46]	0.4085 [10.38]	0.200 [5.08]
15	0.483 [12.27]	0.5585 [14.19]	0.350 [8.89]
25	0.733 [18.62]	0.8085 [20.54]	0.600 [15.24]
37	1.033 [26.24]	1.1085 [28.16]	0.900 [22.86]
51	1.383 [35.13]	1.4585 [37.05]	1.250 [31.75]

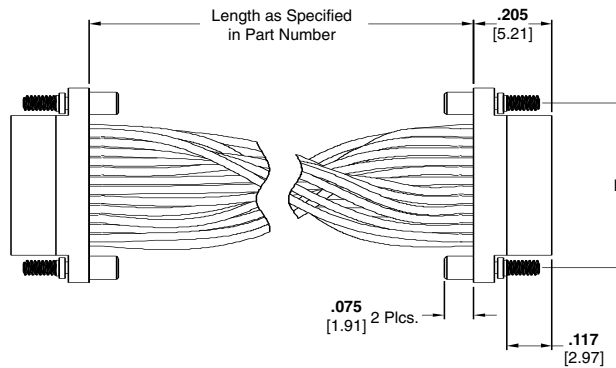
Jumper Assembly Connectors — Two Row



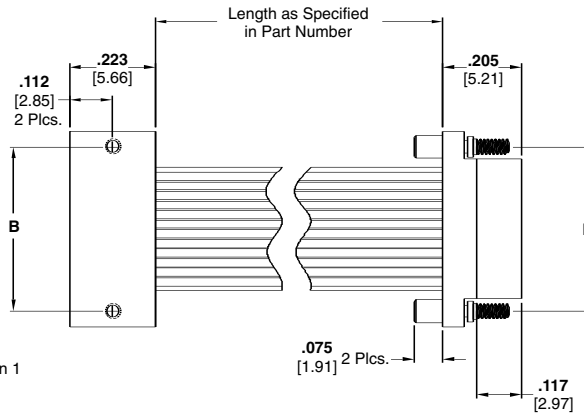
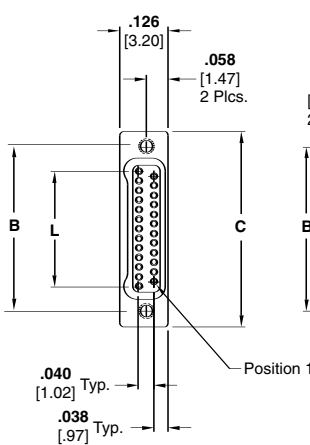
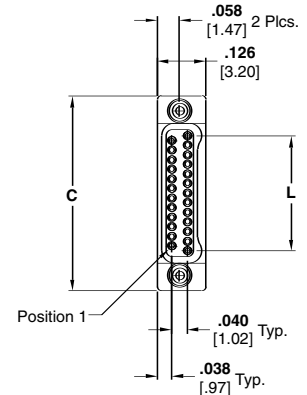
Plug to Receptacle

Product Facts

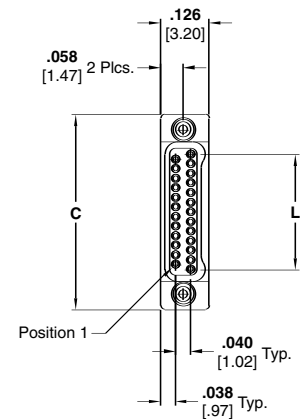
- Plastic or Metal Shell
- Standard Sizes: 9, 15, 25, 37, 51 and 65
- Factory wired to your specifications
- Contact Tyco Electronics for custom configurations



Plug to Plug
Drawing Number 1589737

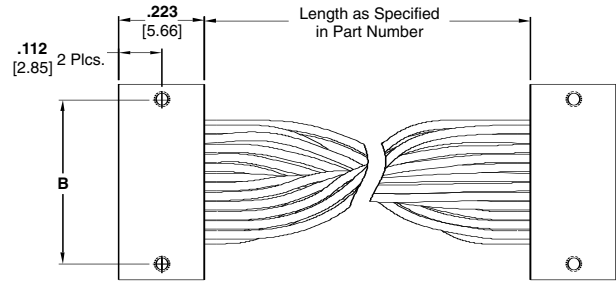
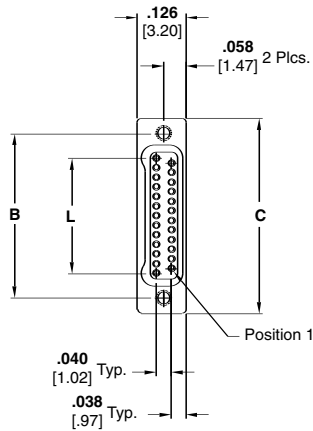


Plug to Receptacle
Drawing Number 1589738



Size	Dimensions		
	B	C	L
9	0.229 [5.82]	0.3085 [7.84]	0.100 [2.54]
15	0.304 [7.72]	0.3835 [9.74]	0.175 [4.45]
25	0.429 [10.90]	0.5085 [12.92]	0.300 [7.62]
37	0.579 [14.71]	0.6585 [16.73]	0.450 [11.43]
51	0.754 [19.15]	0.8335 [21.17]	0.625 [15.88]
65	0.929 [23.60]	1.0085 [25.62]	0.800 [20.32]

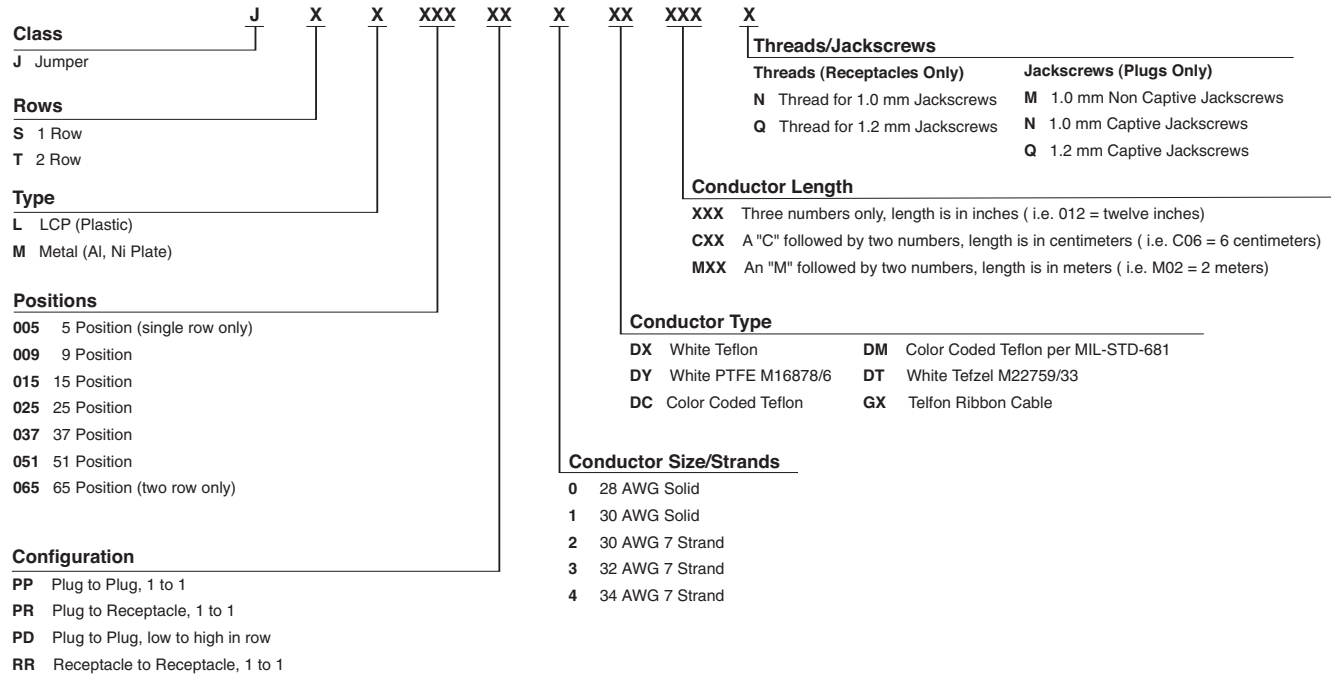
Jumper Assembly Connectors — Two Row (Continued)



Receptacle to Receptacle
Drawing Number 1589804

Size	Dimensions		
	B	C	L
9	0.229 [5.82]	0.3085 [7.84]	0.100 [2.54]
15	0.304 [7.72]	0.3835 [9.74]	0.175 [4.45]
25	0.429 [10.90]	0.5085 [12.92]	0.300 [7.62]
37	0.579 [14.71]	0.6585 [16.73]	0.450 [11.43]
51	0.754 [19.15]	0.8335 [21.17]	0.625 [15.88]
65	0.929 [23.60]	1.0085 [25.62]	0.800 [20.32]

DUALOBE Connectors - Jumper Terminations



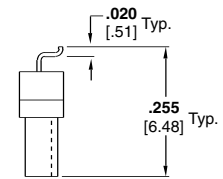
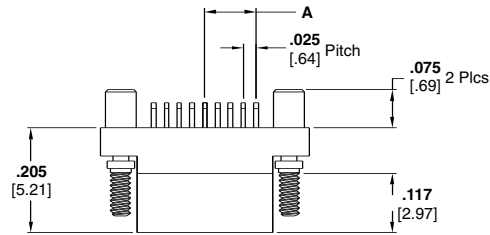
Surface Mount Connectors — Horizontal, Single Row



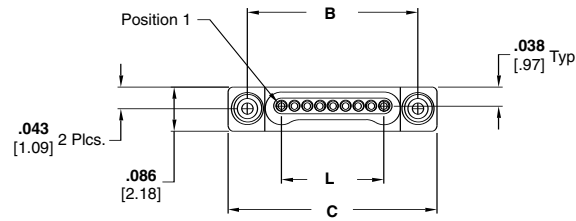
Receptacle

Product Facts

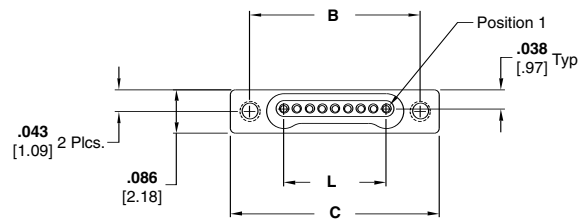
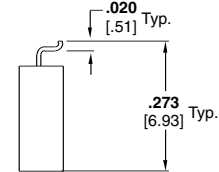
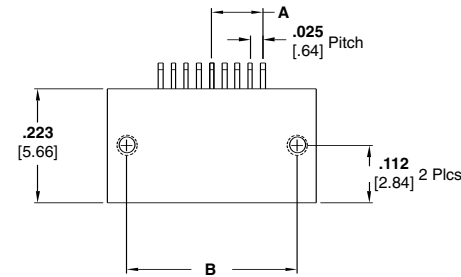
- Plastic or Metal Shell
- Standard Sizes: 5, 9, 15, 25, 37, and 51
- Contact Tyco Electronics for custom configurations
- Suggested pad layouts are available on the referenced drawings on the Tyco Electronics website



Jackscrews Omitted for Clarity



Plug Assembly
Drawing Number 1589460



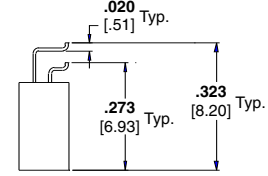
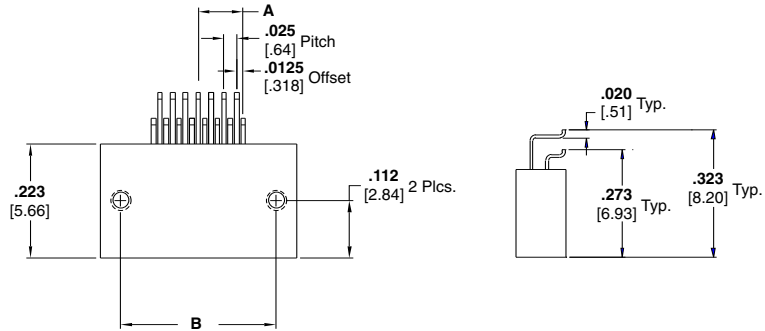
Receptacle Assembly
Drawing Number 1589462

Size	Dimensions			
	A	B	C	L
5	0.050 [1.27]	0.233 [5.92]	0.3085 [7.84]	0.100 [2.54]
9	0.100 [2.54]	0.333 [8.46]	0.4085 [10.38]	0.200 [5.08]
15	0.175 [4.45]	0.483 [12.27]	0.5585 [14.19]	0.350 [8.89]
25	0.300 [7.62]	0.733 [18.62]	0.8085 [20.54]	0.600 [15.24]
37	0.450 [11.43]	1.085 [26.24]	1.1085 [28.16]	0.900 [22.86]
51	0.625 [15.88]	1.383 [35.13]	1.4585 [37.05]	1.250 [31.75]

Surface Mount Connectors — Horizontal, Two Row

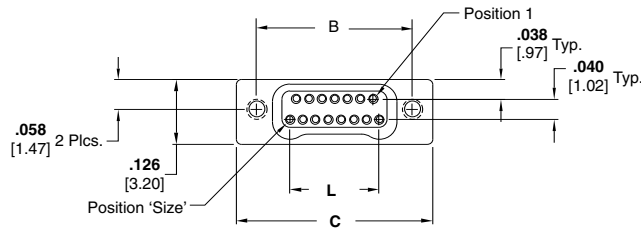


Receptacle

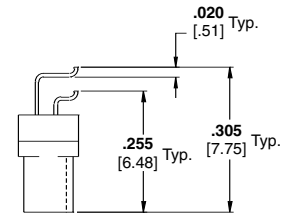
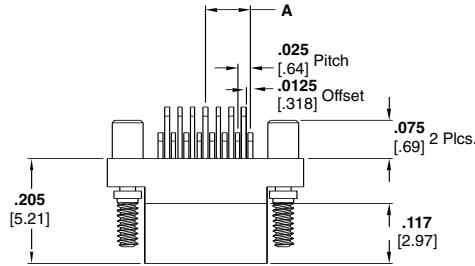


Product Facts

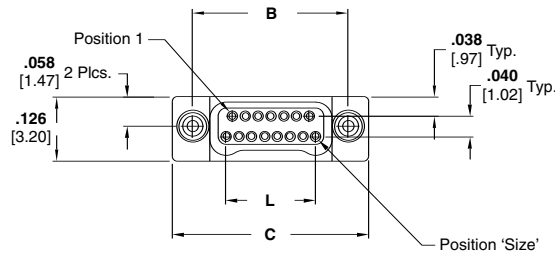
- Plastic or Metal Shell
- Standard Sizes: 9, 15, 25, 37, 51 and 65
- Contact Tyco Electronics for custom configurations
- Suggested pad layouts are available on the referenced drawings on the Tyco Electronics website



Receptacle Assembly
Drawing Number 1589483



Jackscrews Omitted for Clarity



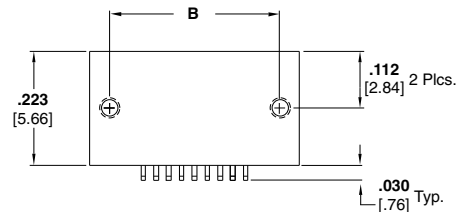
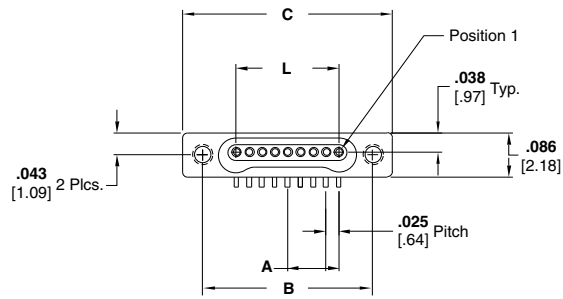
Plug Assembly
Drawing Number 1589490

Size	Dimensions			
	A	B	C	L
9	0.050 [1.27]	0.229 [5.82]	0.3085 [7.84]	0.100 [2.54]
15	0.075 [2.23]	0.304 [7.72]	0.3835 [9.74]	0.175 [4.45]
25	0.150 [3.81]	0.429 [10.90]	0.5085 [12.92]	0.300 [8.89]
37	0.225 [5.72]	0.579 [14.71]	0.6585 [16.73]	0.450 [11.43]
51	0.313 [7.95]	0.754 [19.15]	0.8335 [21.17]	0.625 [15.88]
65	0.400 [10.16]	0.929 [23.60]	1.0085 [25.62]	0.800 [20.32]

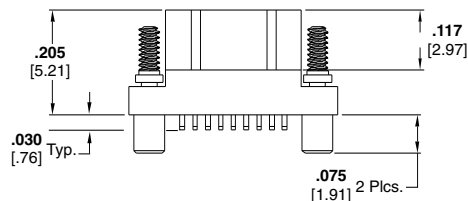
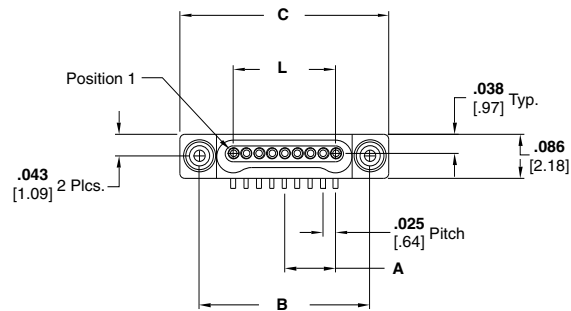
Surface Mount Connectors — Vertical, Single Row



Receptacle



Receptacle Assembly
Drawing Number 1589463



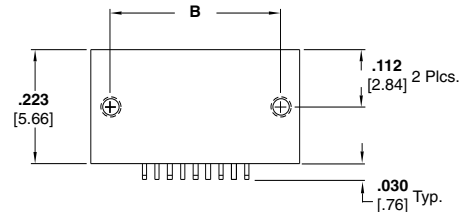
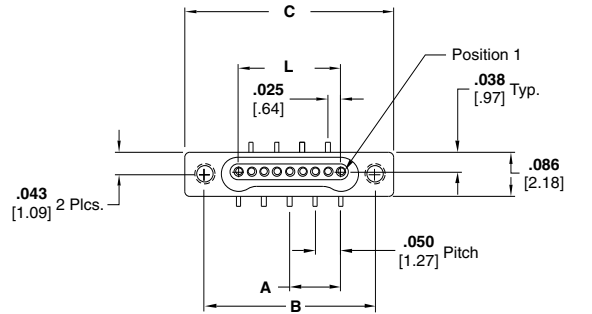
Plug Assembly
Drawing Number 1589465

Size	Dimensions			
	A	B	C	L
5	0.050 [1.27]	0.233 [5.92]	0.3085 [7.84]	0.100 [2.54]
9	0.100 [2.54]	0.333 [8.46]	0.4085 [10.38]	0.200 [5.08]
15	0.175 [4.45]	0.483 [12.27]	0.5585 [14.19]	0.350 [8.89]
25	0.300 [7.62]	0.733 [18.62]	0.8085 [20.54]	0.600 [15.24]
37	0.450 [11.43]	1.085 [26.24]	1.1085 [28.16]	0.900 [22.86]
51	0.625 [15.88]	1.383 [35.13]	1.4585 [37.05]	1.250 [31.75]

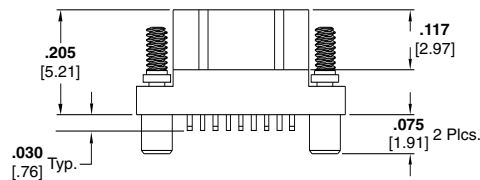
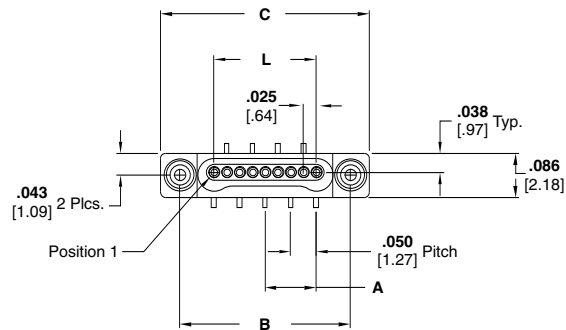
Surface Mount Connectors — Vertical, Single Row with Alternating Leads

Product Facts

- Plastic or Metal Shell
- Standard Sizes: 5, 9, 15, 25, 37, and 51
- Contact Tyco Electronics for custom configurations
- Suggested pad layouts are available on the referenced drawings on the Tyco Electronics website



Receptacle Assembly
Drawing Number 1589464



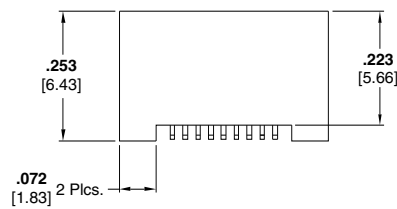
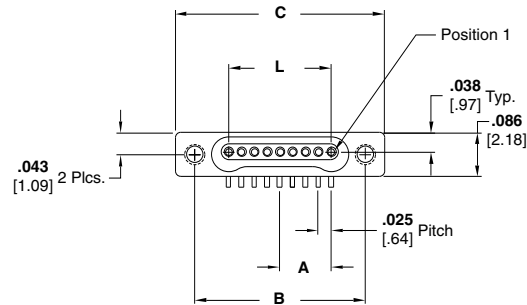
Plug Assembly
Drawing Number 1589466

Size	Dimensions			
	A	B	C	L
5	0.050 [1.27]	0.233 [5.92]	0.3085 [7.84]	0.100 [2.54]
9	0.100 [2.54]	0.333 [8.46]	0.4085 [10.38]	0.200 [5.08]
15	0.175 [4.45]	0.483 [12.27]	0.5585 [14.19]	0.350 [8.89]
25	0.300 [7.62]	0.733 [18.62]	0.8085 [20.54]	0.600 [15.24]
37	0.450 [11.43]	1.085 [26.24]	1.1085 [28.16]	0.900 [22.86]
51	0.625 [15.88]	1.383 [35.13]	1.4585 [37.05]	1.250 [31.75]

Surface Mount Connectors — Vertical, Single Row with Integrated Standoffs

Product Facts

- Metal Shell
- Standard Sizes: 5, 9, 15, 25, 37, and 51
- Contact Tyco Electronics for custom configurations
- Suggested pad layouts are available on the referenced drawings on the Tyco Electronics website



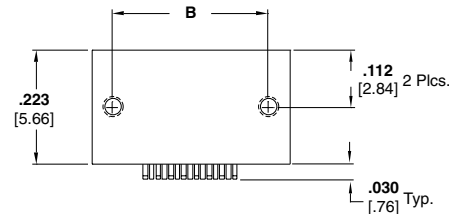
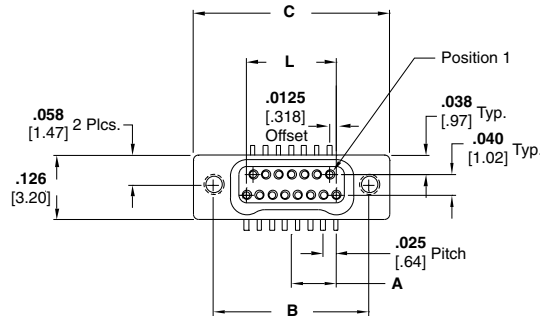
Receptacle Assembly
Drawing Number 1589467

Size	Dimensions			
	A	B	C	L
5	0.050 [1.27]	0.233 [5.92]	0.3085 [7.84]	0.100 [2.54]
9	0.100 [2.54]	0.333 [8.46]	0.4085 [10.38]	0.200 [5.08]
15	0.175 [4.45]	0.483 [12.27]	0.5585 [14.19]	0.350 [8.89]
25	0.300 [7.62]	0.733 [18.62]	0.8085 [20.54]	0.600 [15.24]
37	0.450 [11.43]	1.085 [26.24]	1.1085 [28.16]	0.900 [22.86]
51	0.625 [15.88]	1.383 [35.13]	1.4585 [37.05]	1.250 [31.75]

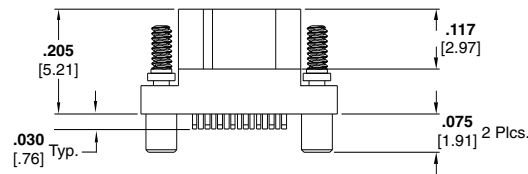
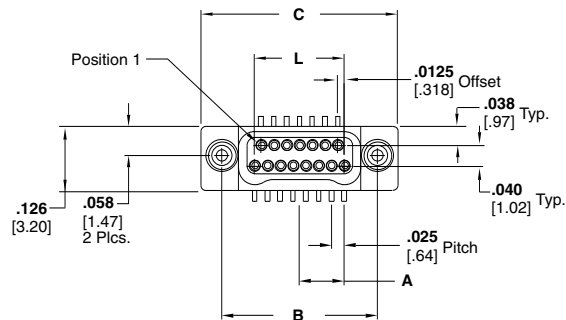
Surface Mount Connectors — Vertical, Two Row



Receptacle



Receptacle Assembly
Drawing Number 1589484



Plug Assembly
Drawing Number 1589485

Product Facts

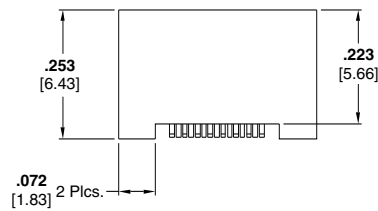
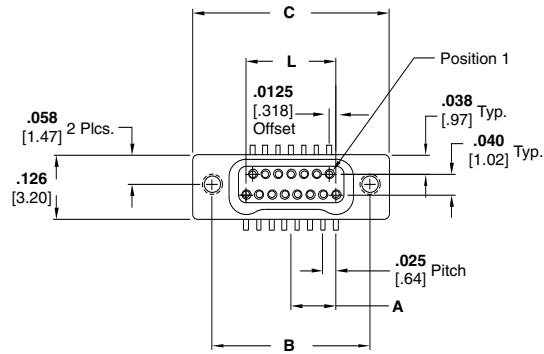
- Plastic or Metal Shell
- Standard Sizes: 9, 15, 25, 37, 51 and 65
- Contact Tyco Electronics for custom configurations
- Suggested pad layouts are available on the referenced drawings on the Tyco Electronics website

Size	Dimensions			
	A	B	C	L
9	0.050 [1.27]	0.229 [5.82]	0.3085 [7.84]	0.100 [2.54]
15	0.875 [2.23]	0.304 [7.72]	0.3835 [9.74]	0.175 [4.45]
25	0.150 [3.81]	0.429 [10.90]	0.5085 [12.92]	0.300 [8.89]
37	0.225 [5.72]	0.579 [14.71]	0.6585 [16.73]	0.450 [11.43]
51	0.313 [7.95]	0.754 [19.15]	0.8335 [21.17]	0.625 [15.88]
65	0.400 [10.16]	0.929 [23.60]	1.0085 [25.62]	0.800 [20.32]

Surface Mount Connectors — Vertical, Two Row with Integrated Standoffs

Product Facts

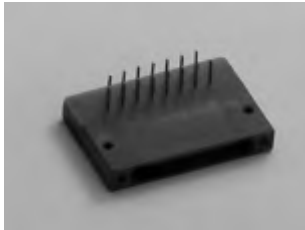
- Metal Shell
- Standard Sizes: 9, 15, 25, 37, 51 and 65
- Contact Tyco Electronics for custom configurations
- Suggested pad layouts are available on the referenced drawings on the Tyco Electronics website



Receptacle Assembly
Drawing Number 1589486

Size	Dimensions			
	A	B	C	L
9	0.050 [1.27]	0.229 [5.82]	0.3085 [7.84]	.100 [2.54]
15	0.875 [2.23]	0.304 [7.72]	0.3835 [9.74]	.175 [4.45]
25	0.150 [3.81]	0.429 [10.90]	0.5085 [12.92]	.300 [8.89]
37	0.225 [5.72]	0.579 [14.71]	0.6585 [16.73]	.450 [11.43]
51	0.313 [7.95]	0.754 [19.15]	0.8335 [21.17]	.625 [15.88]
65	0.400 [10.16]	0.929 [23.60]	1.0085 [25.62]	.800 [20.32]

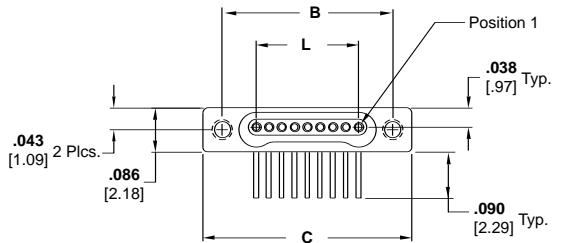
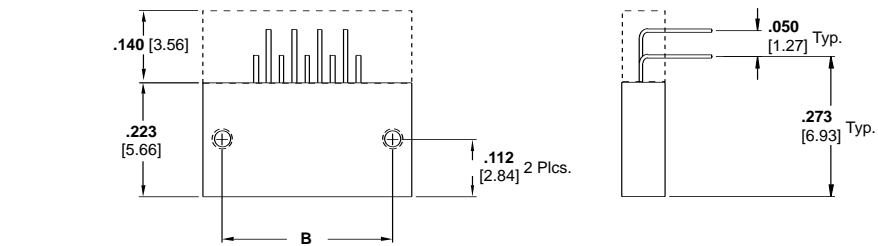
Thru-Hole Connectors — Horizontal, 1 Row to 2 Row, .050 Spacing



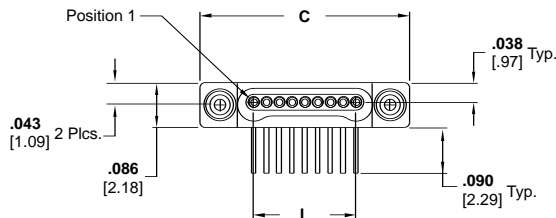
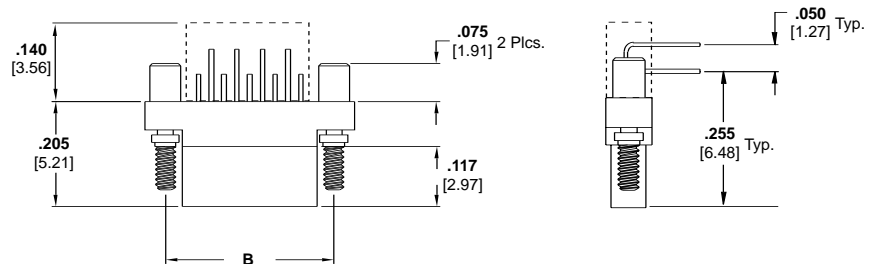
Receptacle

Product Facts

- Plastic or Metal Shell
- Standard Sizes: 5, 9, 15, 25, 37, and 51
- Contact Tyco Electronics for custom configurations
- Suggested thru-hole layouts are available on the referenced drawings on the Tyco Electronics website



Receptacle Assembly
Drawing Number 1589469



Plug Assembly
Drawing Number 1589471

Size	Dimensions					
	B		C		L	
5	0.233	[5.92]	0.3085	[7.84]	0.100	[2.54]
9	0.333	[8.46]	0.4085	[10.38]	0.200	[5.08]
15	0.483	[12.27]	0.5585	[14.19]	0.350	[8.89]
25	0.733	[18.62]	0.8085	[20.54]	0.600	[15.24]
37	1.033	[26.24]	1.1085	[28.16]	0.900	[22.86]
51	1.383	[35.13]	1.4585	[37.05]	1.250	[31.75]

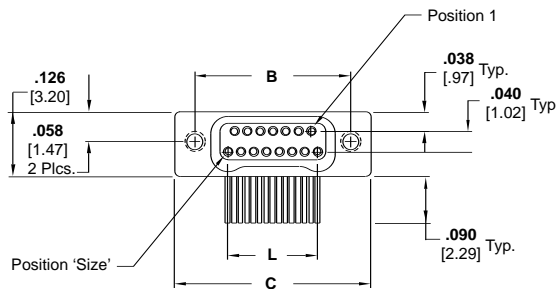
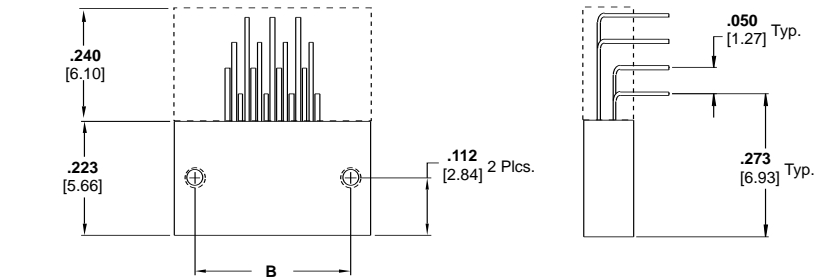
Thru-Hole Connectors — Horizontal, 2 Row to 4 Row, .050 Spacing



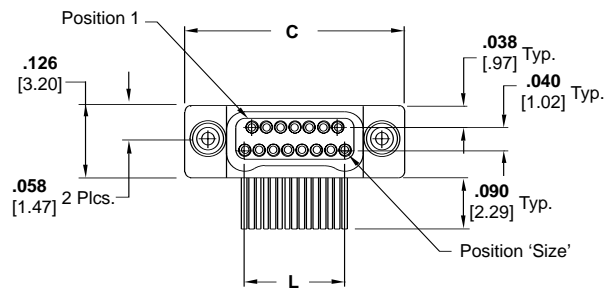
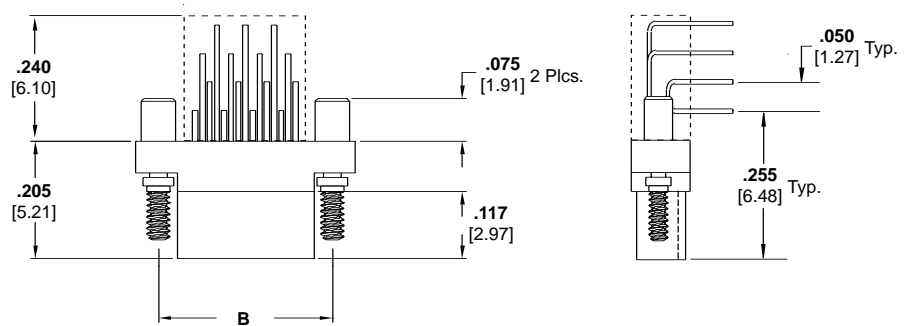
Receptacle

Product Facts

- Plastic or Metal Shell
- Standard Sizes: 9, 15, 25, 37, 51 and 65
- Contact Tyco Electronics for custom configurations
- Suggested thru-hole layouts are available on the referenced drawings on the Tyco Electronics website



Receptacle Assembly
Drawing Number 1589487



Plug Assembly
Drawing Number 1589481

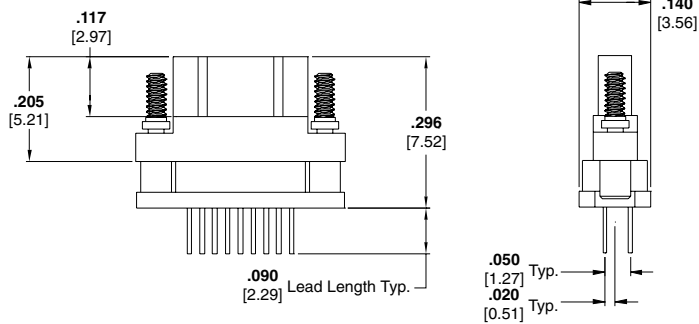
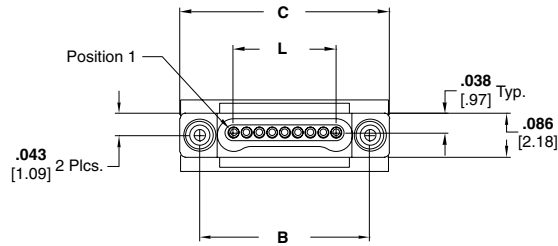
Size	Dimensions		
	B	C	L
9	0.229 [5.82]	0.3085 [7.84]	0.100 [2.54]
15	0.304 [7.72]	0.3835 [9.74]	0.175 [4.45]
25	0.429 [10.90]	0.5085 [12.92]	0.300 [7.62]
37	0.579 [14.71]	0.6585 [16.73]	0.450 [11.43]
51	0.754 [19.15]	0.8335 [21.17]	0.625 [15.88]
65	0.929 [23.60]	1.0085 [25.62]	0.800 [20.32]



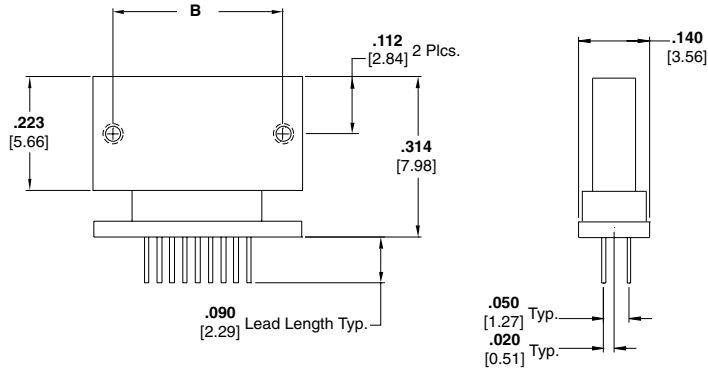
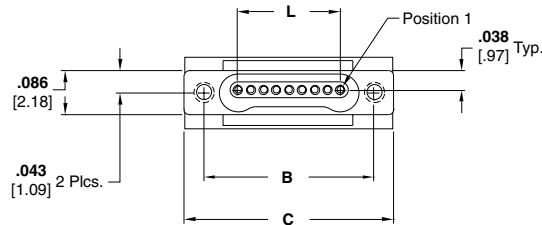
Receptacle

Product Facts

- Plastic or Metal Shell
- Standard Sizes: 5, 9, 15, 25, 37 and 51
- Contact Tyco Electronics for custom configurations
- Suggested thru-hole layouts are available on the referenced drawings on the Tyco Electronics website



Plug Assembly
Drawing Number 1589461



Receptacle Assembly
Drawing Number 1589470

Size	Dimensions		
	B	C	L
5	0.233 [5.92]	0.3085 [7.84]	0.100 [2.54]
9	0.333 [8.46]	0.4085 [10.38]	0.200 [5.08]
15	0.483 [12.27]	0.5585 [14.19]	0.350 [8.89]
25	0.733 [18.62]	0.8085 [20.54]	0.600 [15.24]
37	1.033 [26.24]	1.1085 [28.16]	0.900 [22.86]
51	1.383 [35.13]	1.4585 [37.05]	1.250 [31.75]

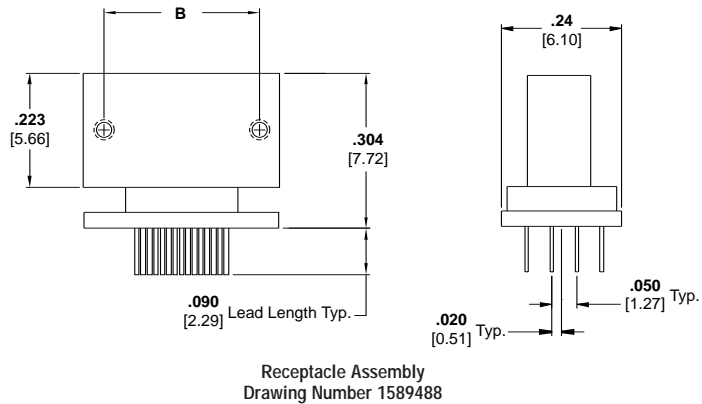
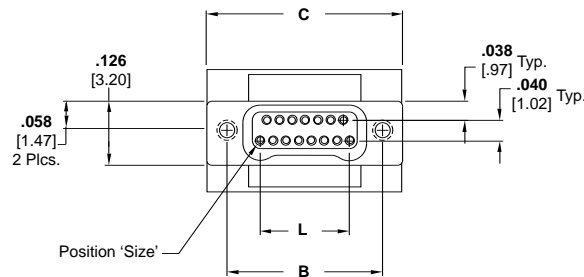
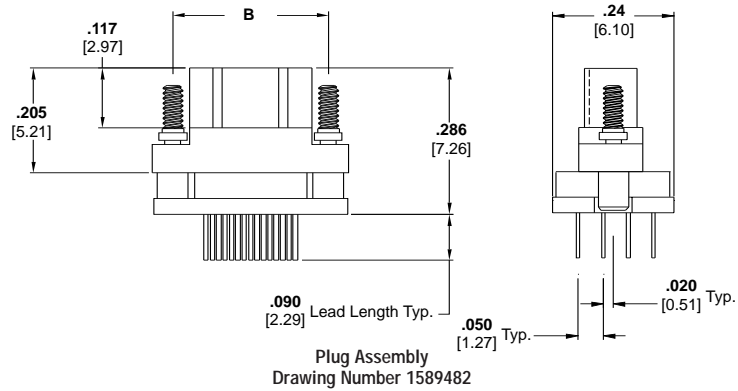
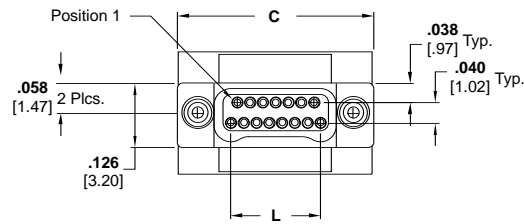
Thru-Hole Connectors — Vertical Mount, 2 Row to 4 Row Connectors, .050 Spacing



Receptacle

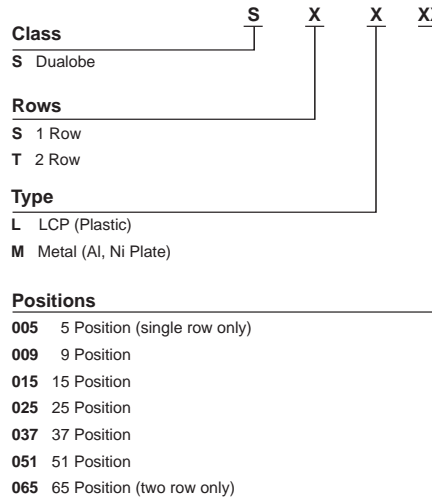
Product Facts

- Plastic or Metal Shell
- Standard Sizes: 9, 15, 25, 37, 51 and 65
- Contact Tyco Electronics for custom configurations
- Suggested thru-hole layouts are available on the referenced drawings on the Tyco Electronics website



Size	Dimensions		
	B	C	L
9	0.229 [5.82]	0.3085 [7.84]	0.100 [2.54]
15	0.304 [7.72]	0.3835 [9.74]	0.175 [4.45]
25	0.429 [10.90]	0.5085 [12.92]	0.300 [7.62]
37	0.579 [14.71]	0.6585 [16.73]	0.450 [11.43]
51	0.754 [19.15]	0.8335 [21.17]	0.625 [15.88]
65	0.929 [23.60]	1.0085 [25.62]	0.800 [20.32]

DUALOBE Connectors - Surface Mount and Thru Hole Terminations



Threads/Jackscrew

Threads (Receptacles Only)		Jackscrews (Plugs Only)	
N	Thread for 1.0 mm Jackscrews	M	1.0 mm Non Captive Jackscrews
Q	Thread for 1.2 mm Jackscrews	N	1.0 mm Captive Jackscrews
		Q	1.2 mm Captive Jackscrews

Mounting Hardware

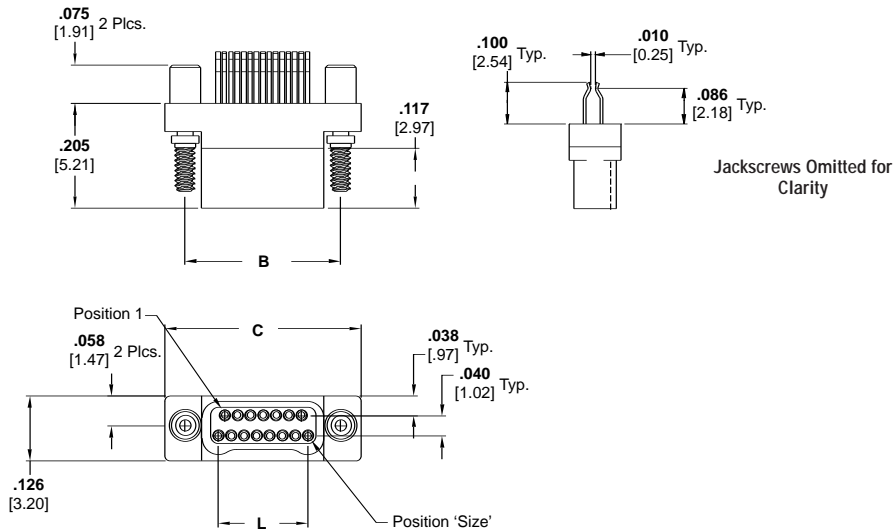
A	1.2 mm x .160"	K	1.0 mm x .200" w/ 4 standoffs
C	1.0 mm x .200" w/ 2 standoffs	L	1.2 mm x .200" w/ 2 standoffs
D	1.2 mm x .160" w/ 2 standoffs	P	1.2 mm x .200" w/ 4 standoffs
H	1.0 mm x .160"	S	1.0 mm x .160" w/ 2 standoffs
I	1.2 mm x .200"		

- Configurations**
- B2** Plug, Horizontal SMT
 - B4** Plug, Vertical SMT
 - B42** Plug, Vertical SMT, .020" Extended Leads
 - B44** Plug, Vertical SMT, .040" Extended Leads
 - B43** Plug, Vertical SMT, .020" Extended Leads, 2 side exit (single row only)
 - B45** Plug, Vertical SMT, .040" Extended Leads, 2 side exit (single row only)
 - L2** Receptacle, Horizontal SMT
 - L4** Receptacle, Vertical SMT
 - L42** Receptacle, Vertical SMT, .020" Extended Leads
 - L44** Receptacle, Vertical SMT, .040" Extended Leads
 - L43** Receptacle, Vertical SMT, .020" Extended Leads, 2 side exit (single row only)
 - L45** Receptacle, Vertical SMT, .040" Extended Leads, 2 side exit (single row only)
 - L8** Receptacle, Vertical SMT, w/ integrated standoffs (metal shell only)
 - L82** Receptacle, Vertical SMT, w/ integrated standoffs, .020" Extended Leads (metal shell only)
 - L84** Receptacle, Vertical SMT, w/ integrated standoffs, .040" Extended Leads (metal shell only)
 - L83** Receptacle, Vertical SMT, w/ integrated standoffs, .020" Extended Leads (single row and metal shell only)
 - L85** Receptacle, Vertical SMT, w/ integrated standoffs, .040" Extended Leads (single row and metal shell only)
 - C5** Plug, Vertical Mount, Thru Hole
 - C6** Plug, Horizontal Mount, Thru Hole
 - M5** Receptacle, Vertical Mount, Thru Hole
 - M6** Receptacle, Horizontal Mount, Thru Hole

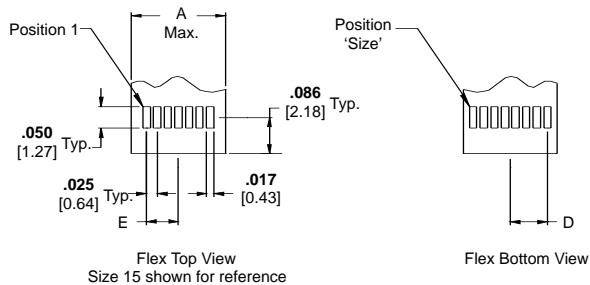
Flex Termination "Duckbill" Connectors — Two Row

Product Facts

- Plastic or Metal Shell
- Standard Sizes: 9, 15, 25, 37, 51 and 65
- Contact Tyco Electronics for custom configurations



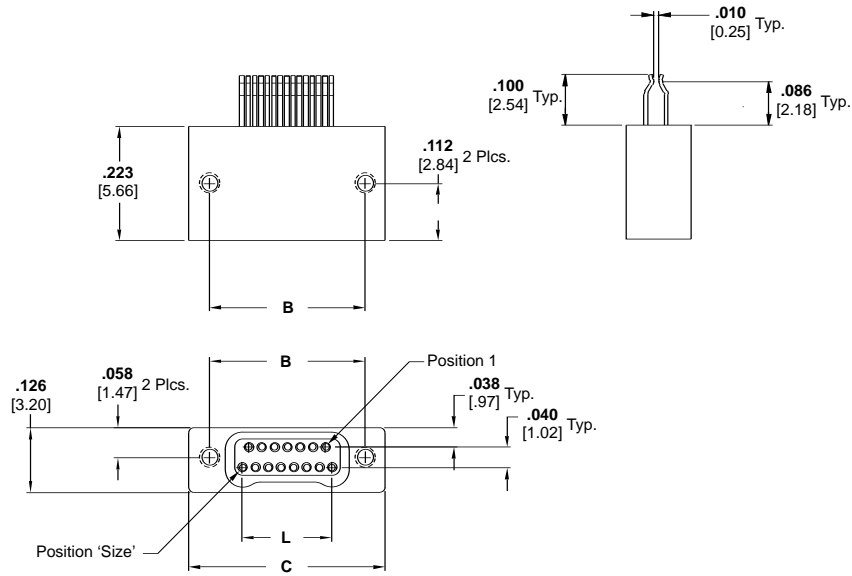
Plug Assembly
Drawing Number 1589066



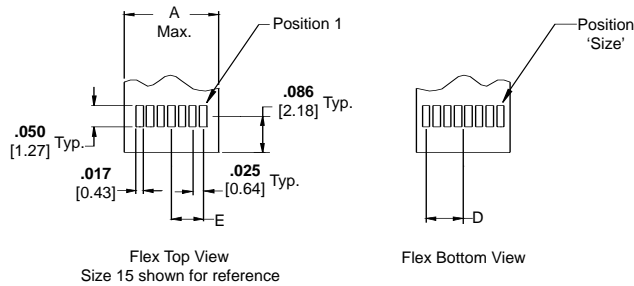
Typical Flex Pad Layout

Size	Dimensions						
	A	B	C	D	E	L	
9	0.150 [3.81]	0.229 [5.82]	0.3085 [7.84]	0.0500 [1.27]	0.0375 [0.95]	0.100 [2.54]	
15	0.225 [5.72]	0.304 [7.72]	0.3835 [9.74]	0.0875 [2.22]	0.0750 [1.90]	0.175 [4.45]	
25	0.350 [8.89]	0.429 [10.90]	0.5085 [12.92]	0.1500 [3.81]	0.1375 [3.49]	0.300 [7.62]	
37	0.500 [12.7]	0.579 [14.71]	0.6585 [16.73]	0.2250 [5.72]	0.2125 [5.40]	0.450 [11.43]	
51	0.675 [17.1]	0.754 [19.15]	0.8335 [21.17]	0.3125 [7.94]	0.3000 [7.62]	0.625 [15.88]	
65	0.850 [21.6]	0.929 [23.60]	1.0085 [25.62]	0.4000 [10.2]	0.3875 [9.84]	0.800 [20.32]	

Flex Termination "Duckbill" Connectors — Two Row (Continued)



Receptacle Assembly
Drawing Number 1589067



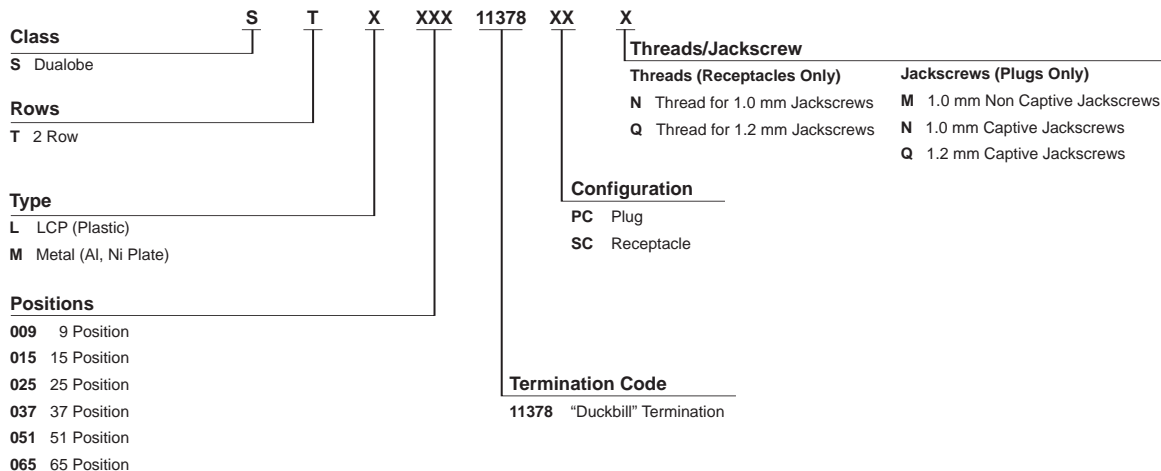
Flex Top View
Size 15 shown for reference

Flex Bottom View

Typical Flex Pad Layout

Part Numbering Guideline for Flex Termination "Duckbill" Connectors

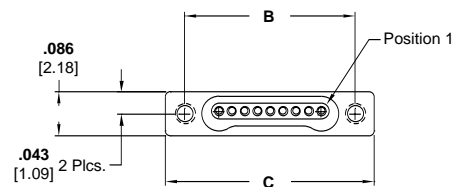
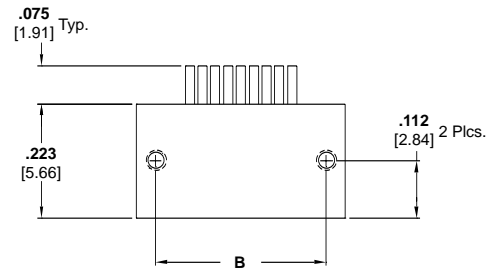
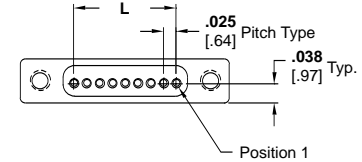
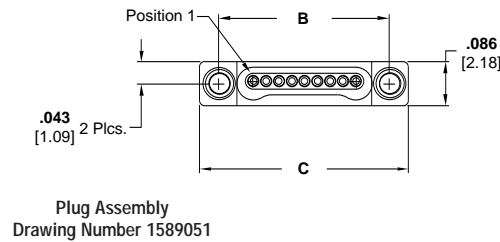
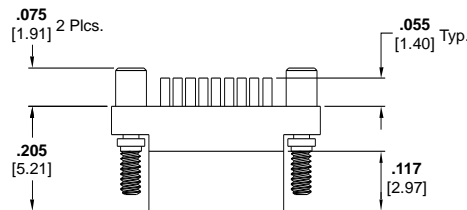
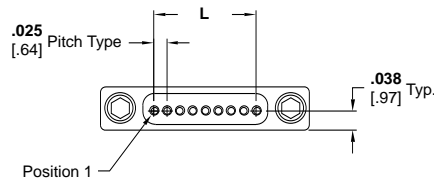
DUALOBE Connectors - "Duckbill" Termination



Solder Cup Connectors — Single Row

Product Facts

- Plastic or Metal Shell
- Standard Sizes: 5, 9, 15, 25, 37 and 51
- Contact Tyco Electronics for custom configurations



Receptacle Assembly
Drawing Number 1589052

Size	Dimensions		
	B	C	L
5	0.233 [5.92]	0.3085 [7.84]	0.100 [2.54]
9	0.333 [8.46]	0.4085 [10.38]	0.200 [5.08]
15	0.483 [12.27]	0.5585 [14.19]	0.350 [8.89]
25	0.733 [18.62]	0.8085 [20.54]	0.600 [15.24]
37	1.033 [26.24]	1.1085 [28.16]	0.900 [22.86]
51	1.383 [35.13]	1.4585 [37.05]	1.250 [31.75]

Solder Cup Connectors — Two Row



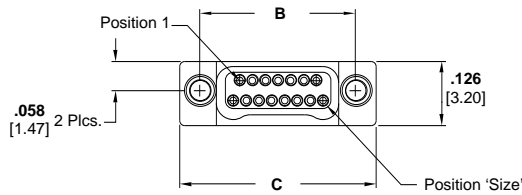
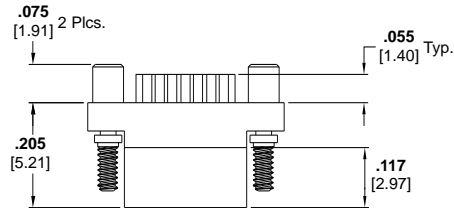
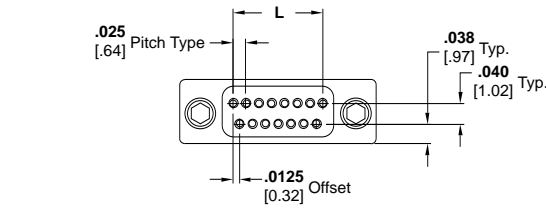
Plug



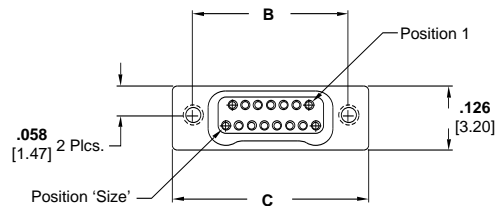
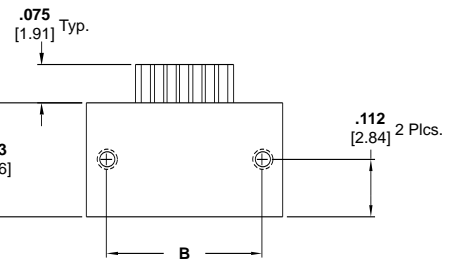
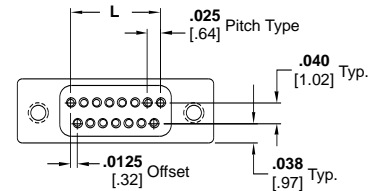
Receptacle

Product Facts

- Plastic or Metal Shell
- Standard Sizes: 9, 15, 25, 37, 51 and 65
- Contact Tyco Electronics for custom configurations



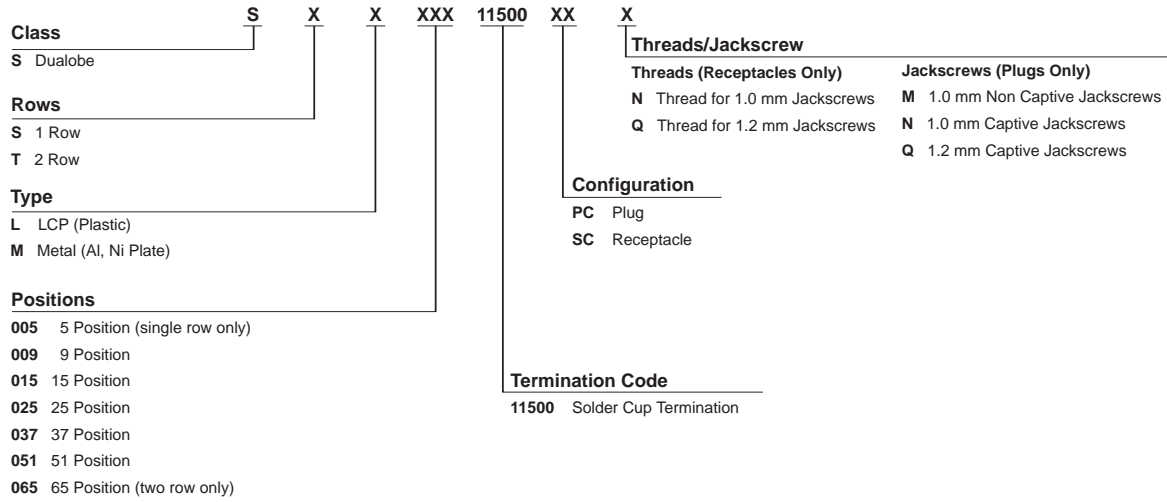
Plug Assembly
Drawing Number 1589053



Receptacle Assembly
Drawing Number 1589054

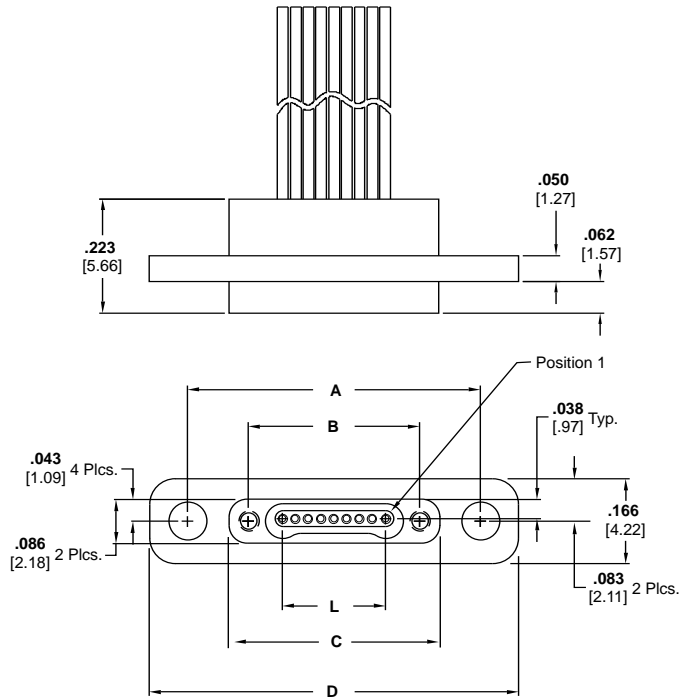
Size	Dimensions		
	B	C	L
9	0.229 [5.82]	0.3085 [7.84]	0.100 [2.54]
15	0.304 [7.72]	0.3835 [9.74]	0.175 [4.45]
25	0.429 [10.90]	0.5085 [12.92]	0.300 [7.62]
37	0.579 [14.71]	0.6585 [16.73]	0.450 [11.43]
51	0.754 [19.15]	0.8335 [21.17]	0.625 [15.88]
65	0.929 [23.60]	1.0085 [25.62]	0.800 [20.32]

DUALOBE Connectors - Solder Cup Termination



Product Facts

- Metal Shell
- Standard Sizes: 5, 9, 15, 25, 37 and 51
- Factory wired to your specifications
- Contact Tyco Electronics for custom configurations



Receptacle Assembly
Drawing Number 1589851

Size	Dimensions				
	A	B	C	D	L
5	0.470 [11.94]	0.233 [5.92]	0.310 [7.87]	0.620 [15.75]	0.100 [2.54]
9	0.570 [14.48]	0.333 [8.46]	0.410 [10.41]	0.720 [18.29]	0.200 [5.08]
15	0.720 [18.29]	0.483 [12.27]	0.560 [14.22]	0.870 [22.10]	0.350 [8.89]
25	0.970 [24.64]	0.733 [18.62]	0.810 [20.57]	1.120 [28.45]	0.600 [15.24]
37	1.270 [32.26]	1.033 [26.24]	1.110 [28.19]	1.420 [36.07]	0.900 [22.86]
51	1.620 [41.15]	1.383 [35.13]	1.460 [37.08]	1.770 [44.96]	1.250 [31.75]

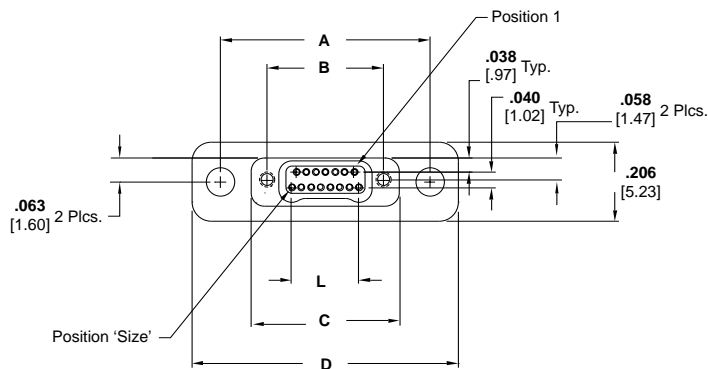
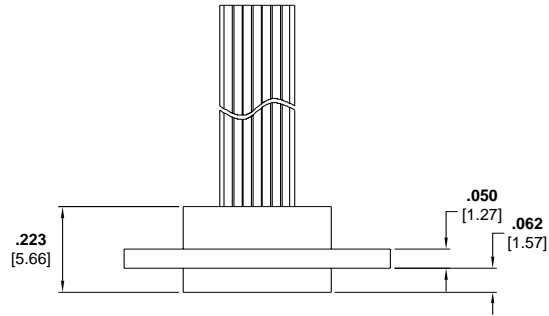
Panel Mount Connectors — Two Row, Flying Leads



Receptacle

Product Facts

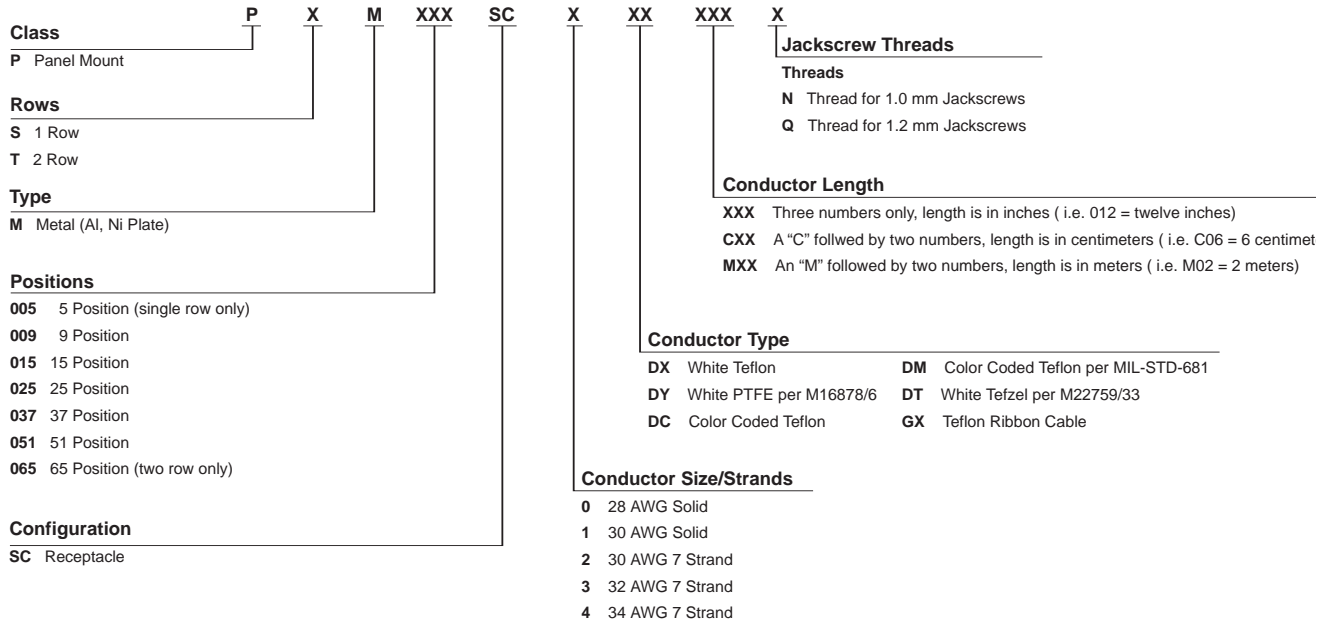
- Metal Shell
- Standard Sizes: 9, 15, 25, 37, 51 and 65
- Contact Tyco Electronics for custom configurations



Receptacle Assembly
Drawing Number 1589050

Size	Dimensions				
	A	B	C	D	L
9	0.470 [11.94]	0.229 [5.82]	0.310 [7.87]	0.620 [15.75]	0.100 [2.54]
15	0.545 [13.84]	0.304 [7.72]	0.385 [9.78]	0.695 [17.65]	0.175 [4.45]
25	0.670 [17.02]	0.429 [10.90]	0.510 [12.95]	0.820 [20.83]	0.300 [7.62]
37	0.820 [20.83]	0.579 [14.71]	0.660 [16.76]	0.970 [24.64]	0.450 [11.43]
51	0.995 [25.27]	0.754 [19.15]	0.835 [21.21]	1.145 [29.08]	0.625 [15.88]
65	1.170 [29.72]	0.929 [23.60]	1.010 [25.65]	1.320 [33.53]	0.800 [20.32]

DUALOBE Connectors - Panel Mount



Part Number Index Cross Reference

Nanonics Part Number	Tyco Part Number	Nanonics Part Number	Tyco Part Number	Nanonics Part Number	Tyco Part Number	Nanonics Part Number	Tyco Part Number
Wired Connectors							
SSL005PC0DC006N	0-1589455-2	SSL015SC2DC005N	9-1589457-6	SSM009PC0DC012N	0-1589827-7	SSM015PC2DC003N	8-1589455-6
SSL005PC0DC012N	0-1589455-3	SSL015SC2DC006N	1-1589457-2	SSM009PC0DC024N	5-1589455-3	SSM015PC2DC006	8-1589455-7
SSL005PC0DX012M	7-1589456-3	SSL015SC2DC012N	1-1589457-3	SSM009PC0DM024N	5-1589455-4	SSM015PC2DC006N	8-1589455-8
SSL005PC2DC002N	2-1589827-7	SSL015SC2DC024N	1-1589457-4	SSM009PC0DX012N	5-1589455-5	SSM015PC2DC008N	8-1589455-9
SSL005PC2DC004	0-1589455-4	SSL015SC2DC036N	8-1589457-9	SSM009PC2DC003	5-1589455-6	SSM015PC2DC012	9-1589455-0
SSL005PC2DC006	0-1589455-5	SSL025PC0DC012M	8-1589456-5	SSM009PC2DC003N	5-1589455-7	SSM015PC2DC012M	6-1589456-6
SSL005PC2DC006N	0-1589455-6	SSL025PC2DC006	3-1589455-1	SSM009PC2DC006	5-1589455-8	SSM015PC2DC012N	9-1589455-1
SSL005PC2DC012N	6-1589456-4	SSL025PC2DC006N	3-1589455-2	SSM009PC2DC006N	5-1589455-9	SSM015PC2DC018	9-1589455-2
SSL005PC2DX006N	0-1589455-7	SSL025PC2DC012	3-1589455-3	SSM009PC2DC010N	6-1589455-0	SSM015PC2DC018N	9-1589455-3
SSL005SC0DC006N	0-1589457-1	SSL025PC2DC018N	9-1589456-6	SSM009PC2DC012	6-1589455-1	SSM015PC2DC024	2-1589827-8
SSL005SC2DC006N	0-1589457-2	SSL025PC2DC020N	3-1589455-4	SSM009PC2DC012M	6-1589455-2	SSM015PC2DC024N	9-1589455-4
SSL005SC2DC012N	7-1589457-6	SSL025PC2DC024M	0-1589827-1	SSM009PC2DC012N	6-1589455-3	SSM015PC2DC036N	9-1589455-5
SSL005SC3DM024N	0-1589457-3	SSL025PC2DC024N	7-1589456-8	SSM009PC2DC018	6-1589455-4	SSM015PC2DC048N	9-1589455-6
SSL009PC0DC006N	0-1589455-8	SSL025PC2DM018M	3-1589455-5	SSM009PC2DC018N	6-1589455-5	SSM015PC2DC060N	9-1589455-7
SSL009PC0DMM03N	0-1589455-9	SSL025PC2DX012Q	3-1589455-6	SSM009PC2DC024	6-1589455-6	SSM015PC2DM012N	9-1589456-4
SSL009PC0DX012M	7-1589456-4	SSL025PC2GX006N	3-1589455-7	SSM009PC2DC024N	6-1589455-7	SSM015PC2DM024N	9-1589455-8
SSL009PC2DC001N	1-1589455-0	SSL025SC0DC012N	8-1589457-5	SSM009PC2DC036N	6-1589455-8	SSM015PC2DMC20N	9-1589455-9
SSL009PC2DC003	1-1589455-1	SSL025SC2DC006	1-1589457-5	SSM009PC2DC060N	6-1589455-9	SSM015PC2DMC30N	3-1589827-0
SSL009PC2DC006N	1-1589455-2	SSL025SC2DC006N	1-1589457-6	SSM009PC2DC084N	8-1589456-8	SSM015PC2DMM02N	0-1589456-1
SSL009PC2DC009N	1-1589455-3	SSL025SC2DC012N	1-1589457-7	SSM009PC2DCC10N	7-1589455-0	SSM015PC2DT012N	0-1589456-2
SSL009PC2DC012	1-1589455-4	SSL025SC2DC036N	8-1589457-8	SSM009PC2DCM01N	7-1589455-1	SSM015PC2DX006N	0-1589456-3
SSL009PC2DC012M	1-1589455-5	SSL037PC2DC012N	3-1589455-8	SSM009PC2DCM02N	8-1589456-7	SSM015PC2DX006Q	0-1589456-4
SSL009PC2DC012N	1-1589455-6	SSL037PC2DC018N	8-1589456-0	SSM009PC2DM010N	7-1589455-2	SSM015PC2DX008	0-1589456-5
SSL009PC2DC012Q	9-1589456-2	SSL037PC2DC024N	3-1589455-9	SSM009PC2DM018N	7-1589455-3	SSM015PC2DX012N	0-1589456-6
SSL009PC2DC018N	1-1589455-7	SSL037PC2DC096N	4-1589455-0	SSM009PC2DM024	7-1589455-4	SSM015PC2DX024N	0-1589456-7
SSL009PC2DC024N	7-1589456-9	SSL037SC2DC012N	1-1589457-8	SSM009PC2DM024N	6-1589456-5	SSM015PC2DY003N	0-1589456-8
SSL009PC2DCC03N	1-1589455-8	SSL051PC0DX012M	7-1589456-6	SSM009PC2DT012N	1-1589827-7	SSM015PC2DY006N	0-1589456-9
SSL009PC2DCC10N	1-1589455-9	SSL051PC2DC012N	4-1589455-1	SSM009PC2DT024N	1-1589827-0	SSM015PC2DY012N	1-1589456-0
SSL009PC2DM010N	2-1589455-0	SSM005PC0DC024N	2-1589827-2	SSM009PC2DX005N	7-1589455-5	SSM015PC2GX018N	1-1589456-1
SSL009PC2DM018M	2-1589455-1	SSM005PC0DC036N	7-1589456-0	SSM009PC2DX006N	7-1589455-6	SSM015PC4DX030N	1-1589456-2
SSL009PC2DMC60Q	2-1589455-2	SSM005PC0DX024N	8-1589456-9	SSM009PC2DX010N	7-1589455-7	SSM015SC0DC012N	4-1589457-0
SSL009SC0DMM03N	0-1589457-4	SSM005PC2DC006	4-1589455-2	SSM009PC2DX012N	7-1589455-8	SSM015SC0DC024N	0-1589901-7
SSL009SC2DC003	0-1589457-5	SSM005PC2DC006N	4-1589455-3	SSM009PC2DX018N	7-1589455-9	SSM015SC2DC003N	4-1589457-1
SSL009SC2DC006N	0-1589457-6	SSM005PC2DC012M	7-1589456-1	SSM009PC2DX024N	8-1589455-0	SSM015SC2DC006N	4-1589457-2
SSL009SC2DC012	0-1589457-7	SSM005PC2DC012N	4-1589455-4	SSM009PC2DY006N	8-1589455-1	SSM015SC2DC012N	4-1589457-3
SSL009SC2DC012Q	9-1589457-2	SSM005PC2DC012Q	6-1589456-3	SSM009PC3DC018N	8-1589455-2	SSM015PC2DC018	4-1589457-4
SSL009SC2DM006N	0-1589457-8	SSM005PC2DC018N	4-1589455-5	SSM009SC0DC024N	0-1589901-6	SSM015SC2DC018N	9-1589457-4
SSL009SC2GX006	1-1589457-0	SSM005PC2DC036N	4-1589455-6	SSM009SC1DC002	2-1589457-5	SSM015SC2DC024N	9-1589457-3
SSL015PC0DC012N	0-1589827-6	SSM005PC2DC040N	4-1589455-7	SSM009SC2DC006HN	2-1589457-6	SSM015SC2DC036N	4-1589457-5
SSL015PC0DMM03N	2-1589455-3	SSM005PC2DCC20N	9-1589456-7	SSM009SC2DC006N	2-1589457-7	SSM015SC2DC048N	7-1589457-5
SSL015PC2DC003N	0-1589827-3	SSM005PC2DT012N	1-1589827-6	SSM009SC2DC012N	2-1589457-9	SSM015SC2DM024N	7-1589457-7
SSL015PC2DC006N	2-1589455-4	SSM005PC2DX012N	4-1589455-8	SSM009SC2DC018N	3-1589457-0	SSM015SC2DT012N	9-1589457-9
SSL015PC2DC008N	2-1589455-5	SSM005PC2DX018N	4-1589455-9	SSM009SC2DC024N	3-1589457-1	SSM015SC2DX006N	4-1589457-8
SSL015PC2DC012	2-1589455-6	SSM005PC2DX024N	5-1589455-0	SSM009SC2DC036N	3-1589457-2	SSM015PC2DX012HN	4-1589457-9
SSL015PC2DC012M	0-1589827-2	SSM005PC4DX012N	5-1589455-1	SSM009SC2DC060N	8-1589457-3	SSM015SC2DX018N	5-1589457-0
SSL015PC2DC012N	2-1589455-7	SSM005PC4DXM01	5-1589455-2	SSM009SC2DC084N	8-1589457-7	SSM015SC2DX024HN	5-1589457-2
SSL015PC2DC016N	0-1589827-8	SSM005SC0DC024N	0-1589901-5	SSM009SC2DCM006N	3-1589457-4	SSM015SC2DY012N	5-1589457-3
SSL015PC2DC018	2-1589455-8	SSM005SC0DC036N	8-1589457-0	SSM009SC2DM012	3-1589457-5	SSM015SC2DY018N	5-1589457-4
SSL015PC2DC018N	1-1589827-1	SSM005SC0DX024N	9-1589457-0	SSM009SC2DT012N	9-1589457-8	SSM015SC4DX005N	5-1589457-5
SSL015PC2DC024	2-1589455-9	SSM005SC2DC006N	1-1589457-9	SSM009SC2DX012N	3-1589457-6	SSM025PC0DC024N	2-1589827-4
SSL015PC2DC024M	7-1589456-2	SSM005SC2DC012N	2-1589457-0	SSM009SC2DX018N	3-1589457-7	SSM025PC0DC036N	6-1589456-9
SSL015PC2DC024N	0-1589827-9	SSM005SC2DC012Q	7-1589457-4	SSM009SC2DX024HN	3-1589457-8	SSM025PC2DC003N	1-1589456-4
SSL015PC2DC036N	0-1589827-5	SSM005SC2DC018N	2-1589457-1	SSM009SC2DX036HN	3-1589457-9	SSM025PC2DC006Q	1-1589456-5
SSL015PC2DM018M	3-1589455-0	SSM005SC2DC040N	2-1589457-2	SSM015PC0DC012N	8-1589455-3	SSM025PC2DC010N	1-1589456-6
SSL015SC0DMM03N	1-1589457-1	SSM005SC2DT012N	9-1589457-2	SSM015PC0DC018N	8-1589455-4	SSM025PC2DC012	1-1589456-7
		SSM005SC2DX024HN	2-1589457-3	SSM015PC0DC024N	2-1589827-3	SSM025PC2DC012N	1-1589456-8
		SSM005SC4DX012N	2-1589457-4	SSM015PC0DMM02N	8-1589455-5	SSM025PC2DC012Q	8-1589456-1

Part Number Index Cross Reference (Continued)

DUALLOBE Rectangular Connectors

5

Nanonics Part Number	Tyco Part Number	Nanonics Part Number	Tyco Part Number	Nanonics Part Number	Tyco Part Number	Nanonics Part Number	Tyco Part Number
SSM025PC2DC018	1-1589456-9	SSM037SC2DC024N	1-1589901-1	STL009PC3DX030N	2-1589472-1	STL025PC2DC018Q	7-1589788-4
SSM025PC2DC018N	2-1589456-0	SSM037SC2DT012N	0-1589901-2	STL009SC0DC006N	3-1589777-8	STL025PC2DC020N	4-1589472-8
SSM025PC2DC024N	9-1589456-1	SSM037SC2DTC30N	9-1589457-5	STL009SC0DC012N	8-1589477-3	STL025PC2DC030N	4-1589472-9
SSM025PC2DC025N	2-1589456-1	SSM051PC0DC024N	2-1589827-6	STL009SC0DC030N	3-1589777-9	STL025PC2DM010N	5-1589472-0
SSM025PC2DC030N	2-1589456-2	SSM051PC2DC006	4-1589456-5	STL009SC2DC012	0-1589476-6	STL025PC2DT024N	6-1589475-2
SSM025PC2DC036N	2-1589456-3	SSM051PC2DC006N	4-1589456-6	STL009SC2DC012N	0-1589476-7	STL025PC2DY006N	9-1589475-5
SSM025PC2DCC30N	2-1589456-4	SSM051PC2DC012N	4-1589456-7	STL009SC2DC018N	8-1589477-4	STL025PC2GX036	4-1589788-7
SSM025PC2DCC50N	1-1589827-5	SSM051PC2DC018	4-1589456-8	STL009SC2DC036N	0-1589476-8	STL025PC3DX006N	5-1589472-1
SSM025PC2DM018Q	9-1589456-9	SSM051PC2DC024	4-1589456-9	STL009SC2DM036N	2-1589777-7	STL025PC3DX030N	9-1589475-2
SSM025PC2DM024N	8-1589456-3	SSM051PC2DC024N	5-1589456-0	STL009SC3DX024N	0-1589476-9	STL025PC4DX030N	5-1589472-2
SSM025PC2DT012N	1-1589827-8	SSM051PC2DC030N	5-1589456-1	STL015PC0DC006N	2-1589472-2	STL025SC2DC001N	1-1589476-9
SSM025PC2DX006N	2-1589456-5	SSM051PC2DCC06Q	5-1589456-2	STL015PC0DC012Q	2-1589472-3	STL025SC2DC006N	2-1589476-0
SSM025PC2DX012N	2-1589456-6	SSM051PC2DCC30N	9-1589456-3	STL015PC0DMM03N	2-1589472-4	STL025SC2DC012N	2-1589476-1
SSM025PC2DX018N	2-1589456-7	SSM051PC2DM012Q	5-1589456-3	STL015PC1DNC50N	2-1589472-5	STL025SC2DC030N	2-1589476-2
SSM025PC2DX024N	2-1589456-8	SSM051PC2DM018N	6-1589456-7	STL015PC2DC006	2-1589472-6	STL025SC2DC036N	2-1589476-3
SSM025PC2GX006	2-1589456-9	SSM051PC2DM024N	5-1589456-4	STL015PC2DC008	2-1589472-7	STL025SC3DC004N	9-1589477-4
SSM025PC2GX018N	3-1589456-0	SSM051PC2DMC10N	5-1589456-5	STL015PC2DC010N	2-1589472-8	STL025SC3DX030N	0-1589777-5
SSM025PC3DY006N	3-1589456-1	SSM051PC2DMC30N	5-1589456-6	STL015PC2DC012	2-1589472-9	STL037PC2DC010N	5-1589472-3
SSM025PC4DX015N	7-1589456-7	SSM051PC2DNC06Q	5-1589456-7	STL015PC2DC012N	3-1589472-0	STL037PC2DC012	5-1589472-4
SSM025SC0DC024N	0-1589901-8	SSM051PC2DNC15Q	5-1589456-8	STL015PC2DC015N	3-1589472-1	STL037PC2DC012M	5-1589472-5
SSM025SC0DC036N	7-1589457-9	SSM051PC2DT012N	2-1589827-0	STL015PC2DC015Q	8-1589475-1	STL037PC2DC012N	5-1589472-6
SSM025SC2DC006N	8-1589457-6	SSM051PC2DT018N	2-1589827-1	STL015PC2DC018M	3-1589472-2	STL037PC2DC012Q	8-1589788-2
SSM025SC2DC012N	5-1589457-6	SSM051PC2DX008	5-1589456-9	STL015PC2DC018N	3-1589475-9	STL037PC2DC017N	5-1589472-7
SSM025SC2DC018	5-1589457-7	SSM051PC2DX012Q	0-1589827-4	STL015PC2DC030N	3-1589472-3	STL037PC2DC018M	5-1589472-8
SSM025SC2DC024N	5-1589457-9	SSM051PC2DXM05Q	6-1589456-0	STL015PC2DC036N	3-1589472-4	STL037PC2DC018N	5-1589472-9
SSM025SC2DT012N	0-1589901-1	SSM051PC2DY012N	6-1589456-1	STL015PC2DCC10N	3-1589472-5	STL037PC2DC018Q	2-1589788-4
SSM025SC2DX006N	6-1589457-0	SSM051PC2GX012N	6-1589456-2	STL015PC2DM010N	3-1589472-6	STL037PC2DC020Q	6-1589472-0
SSM025SC2DX018N	6-1589457-1	SSM051SC0DC024N	1-1589901-0	STL015PC2DM048N	3-1589475-1	STL037PC2DC024N	3-1589788-0
SSM025SC2DX024HN	6-1589457-3	SSM051SC2DC018	6-1589457-7	STL015PC2DNC50N	3-1589472-7	STL037PC2DC036M	6-1589472-1
SSM025SC2DX024N	8-1589457-1	SSM051SC2DC018N	6-1589457-8	STL015PC2DX006N	8-1589475-0	STL037PC2DC036N	6-1589472-2
SSM025SC3DY006N	6-1589457-4	SSM051SC2DNC15Q	6-1589457-9	STL015PC2DX010N	3-1589472-8	STL037PC2DC040N	6-1589472-3
SSM037PC0DC006M	1-1589827-2	SSM051SC2DT012N	0-1589901-3	STL015PC2DX036N	3-1589472-9	STL037PC2DCC15N	6-1589472-4
SSM037PC0DC009Q	2-1589827-9	SSM051SC2DT018N	0-1589901-4	STL015PC2DY006N	9-1589475-4	STL037PC2DM010N	6-1589472-5
SSM037PC0DC024N	2-1589827-5	SSM051SC2DT021	7-1589457-1	STL015PC2GX040N	4-1589472-0	STL037PC2DM048N	3-1589475-2
SSM037PC0DC036N	6-1589456-8	SSM051SC2GX012N	7-1589457-3	STL015SC0DMM03N	1-1589476-0	STL037PC2DT024N	6-1589475-1
SSM037PC0DC006	3-1589456-2	STL009PC0DC006N	1-1589788-1	STL015SC2DC005N	8-1589477-5	STL037PC2DY006N	9-1589475-6
SSM037PC2DC006N	3-1589456-3	STL009PC0DC036	7-1589788-6	STL015SC2DC008	1-1589476-1	STL037PC2DY020N	7-1589475-4
SSM037PC2DC012	3-1589456-4	STL009PC0DC036N	7-1589788-5	STL015SC2DC008N	1-1589476-2	STL037PC2GX005N	6-1589472-6
SSM037PC2DC012N	3-1589456-5	STL009PC0DM024N	9-1589475-9	STL015SC2DC012N	1-1589476-3	STL037PC3DC001	5-1589788-1
SSM037PC2DC012Q	9-1589456-5	STL009PC1DM024N	2-1589788-9	STL015SC2DC018N	1-1589476-4	STL037SC2DC012N	2-1589476-4
SSM037PC2DC015N	3-1589456-6	STL009PC2DC012	1-1589472-1	STL015SC2DC030N	1-1589476-5	STL037SC2DC012Q	2-1589476-5
SSM037PC2DC018	3-1589456-7	STL009PC2DC012M	6-1589788-9	STL015SC2DC036N	1-1589476-6	STL037SC2DC030N	2-1589476-6
SSM037PC2DC018M	1-1589827-3	STL009PC2DC012N	1-1589472-2	STL015SC2DX010N	1-1589476-7	STL037SC2DC036N	2-1589476-7
SSM037PC2DC018N	3-1589456-8	STL009PC2DC018	1-1589472-3	STL015SC3DX024N	1-1589476-8	STL037SC2DCC15N	2-1589476-8
SSM037PC2DC024N	3-1589456-9	STL009PC2DC018M	1-1589472-4	STL025PC0DC006N	6-1589475-4	STL037SC3DC001N	2-1589777-8
SSM037PC2DCM01N	4-1589456-0	STL009PC2DC018N	1-1589472-5	STL025PC0DC012N	3-1589788-3	STL037SC3DX024N	2-1589476-9
SSM037PC2DM024N	8-1589456-4	STL009PC2DC024	3-1589788-7	STL025PC2DC006	4-1589472-1	STL051PC0DXC50N	6-1589472-7
SSM037PC2DT012N	1-1589827-9	STL009PC2DC036N	1-1589472-6	STL025PC2DC006M	5-1589475-7	STL051PC2DC003N	6-1589472-8
SSM037PC2DTC30N	9-1589456-8	STL009PC2DCM01N	5-1589475-3	STL025PC2DC006N	4-1589472-2	STL051PC2DC006N	6-1589472-9
SSM037PC2DX012Q	4-1589456-2	STL009PC2DCM02N	8-1589788-4	STL025PC2DC010N	4-1589472-3	STL051PC2DC012	7-1589472-0
SSM037PC2DX018N	4-1589456-3	STL009PC2DM010N	1-1589472-7	STL025PC2DC012	4-1589472-4	STL051PC2DC012N	7-1589472-1
SSM037PC2GX030N	4-1589456-4	STL009PC2DM024N	0-1589788-1	STL025PC2DC012N	4-1589472-5	STL051PC2DC018	7-1589472-2
SSM037PC4DX018N	8-1589456-6	STL009PC2DM030N	0-1589788-2	STL025PC2DC015N	4-1589472-6	STL051PC2DC018N	3-1589788-8
SSM037SC0DC024N	0-1589901-9	STL009PC2DM048N	3-1589475-0	STL025PC2DC015Q	8-1589475-2	STL051PC2DC018Q	2-1589788-5
SSM037SC0DC036N	7-1589457-8	STL009PC2DX024N	1-1589472-8	STL025PC2DC018	8-1589475-6	STL051PC2DC024N	7-1589472-3
SSM037SC2DC018	6-1589457-5	STL009PC2GX010N	1-1589472-9	STL025PC2DC018M	7-1589788-3	STL051PC2DC036N	7-1589472-4
SSM037SC2DC018N	6-1589457-6	STL009PC3DX024N	2-1589472-0	STL025PC2DC018N	4-1589472-7	STL051PC2DC040N	7-1589472-5

Part Number Index Cross Reference (Continued)

Nanonics Part Number	Tyco Part Number	Nanonics Part Number	Tyco Part Number	Nanonics Part Number	Tyco Part Number	Nanonics Part Number	Tyco Part Number
STL051PC2DCC35N	7-1589472-6	STM009PC2DCC036	1-1589473-0	STM009SC2DCC036	2-1589473-0	STM015PC3DCC036	6-1589473-8
STL051PC2DM048N	3-1589475-3	STM009PC2DCC036M	1-1589473-1	STM009SC2DCC036M	5-1589476-8	STM015PC3DCC048N	7-1589473-1
STL051PC2DNC50	7-1589472-7	STM009PC2DCC036N	1-1589473-2	STM009SC2DCC036N	5-1589476-9	STM015PC3DCC048N	7-1589473-2
STL051PC2DT024N	6-1589475-0	STM009PC2DCC060N	5-1589475-4	STM009SC2DCC060N	6-1589476-0	STM015PC3DCC060N	8-1589475-7
STL051SC2DC003N	3-1589476-0	STM009PC2DCC060Q	1-1589473-3	STM009SC2DCC060Q	6-1589476-1	STM015SC0DC003N	1-1589777-8
STL051SC2DC012N	3-1589476-1	STM009PC2DCC100	0-1589788-8	STM009SC2DCC100	6-1589476-2	STM015SC0DC012N	2-1589777-9
STL051SC2DC018N	3-1589476-2	STM009PC2DCC30N	7-1589475-1	STM009SC2DCC30N	6-1589476-3	STM015SC0DC018N	2-1589777-1
STL051SC2DC024N	3-1589476-3	STM009PC2DCC40N	1-1589473-4	STM009SC2DCC40N	6-1589476-4	STM015SC0DC024N	6-1589476-7
STL051SC2DC036N	0-1589777-1	STM009PC2DCC46N	8-1589788-6	STM009SC2DCC46N	6-1589476-5	STM015SC0DC036N	6-1589476-8
STL051SC2DC048	3-1589476-4	STM009PC2DCC50N	4-1589475-8	STM009SC2DCC50N	6-1589476-6	STM015SC2DC003N	7-1589476-1
STL051SC2DX024	3-1589476-5	STM009PC2DCC90Q	1-1589473-5	STM009SC2DCC90Q	9-1589477-9	STM015SC2DC0048N	7-1589476-2
STL065PC0DC006N	6-1589475-5	STM009PC2DCM01N	1-1589473-6	STM015PC0DC006N	5-1589788-4	STM015SC2DC006N	7-1589476-3
STL065PC0DC012N	3-1589788-4	STM009PC2DCM02N	8-1589788-3	STM015PC0DC012N	2-1589473-9	STM015SC2DC008HN	7-1589476-4
STL065PC0DC036N	7-1589472-8	STM009PC2DM012N	1-1589473-7	STM015PC0DC036N	3-1589473-0	STM015SC2DC008Q	3-1589777-4
STL065PC0DC036Q	1-1589788-7	STM009PC2DM012Q	1-1589473-8	STM015PC0DC048N	1-1589788-3	STM015SC2DC012HN	7-1589476-5
STL065PC2DC006	7-1589472-9	STM009PC2DM018N	1-1589473-9	STM015PC2DC003N	3-1589473-6	STM015SC2DC012N	7-1589476-6
STL065PC2DC006M	5-1589475-8	STM009PC2DM036N	2-1589473-0	STM015PC2DC005N	3-1589473-7	STM015SC2DC015Q	1-1589777-7
STL065PC2DC006N	8-1589472-0	STM009PC2DN036M	2-1589473-1	STM015PC2DC006N	3-1589473-8	STM015SC2DC016N	7-1589476-7
STL065PC2DC012N	8-1589472-1	STM009PC2DT006Q	7-1589475-6	STM015PC2DC012N	3-1589473-9	STM015SC2DC018N	7-1589476-8
STL065PC2DC018	8-1589472-2	STM009PC2DT012N	7-1589788-1	STM015PC2DC012Q	4-1589473-0	STM015SC2DC024N	7-1589476-9
STL065PC2DC018N	8-1589472-3	STM009PC2DT018N	2-1589473-2	STM015PC2DC016N	4-1589473-1	STM015SC2DC036N	8-1589476-0
STL065PC2DC018Q	2-1589788-6	STM009PC2DT030N	2-1589473-3	STM015PC2DC018N	4-1589473-2	STM015SC2DC036Q	0-1589777-6
STL065PC2DC024N	8-1589472-4	STM009PC2DT036N	9-1589475-0	STM015PC2DC020Q	4-1589473-3	STM015SC2DC060Q	8-1589476-1
STL065PC2DC036N	8-1589472-5	STM009PC2DTC45N	2-1589475-9	STM015PC2DC024N	4-1589473-4	STM015SC2DCC30N	8-1589476-2
STL065PC2DC040N	8-1589472-6	STM009PC2DX006Q	3-1589475-8	STM015PC2DC030N	4-1589473-5	STM015SC2DCC50N	1-1589777-9
STL065PC2DC072N	8-1589472-7	STM009PC2DX010N	2-1589473-4	STM015PC2DC036	4-1589473-6	STM015SC2DCM01HN	8-1589476-3
STL065PC2DCC10N	8-1589472-8	STM009PC2DX012N	4-1589788-1	STM015PC2DC036M	4-1589473-7	STM015SC2DM006N	8-1589476-4
STL065PC2DM018N	8-1589472-9	STM009PC2DX024N	2-1589473-5	STM015PC2DC036N	4-1589473-8	STM015SC2DM010N	1-1589777-4
STL065PC2DM036N	9-1589472-0	STM009PC2DXC15Q	2-1589473-6	STM015PC2DC048N	4-1589473-9	STM015SC2DM012HN	1-1589777-2
STL065PC2DT024N	6-1589475-3	STM009PC2DXM01Q	8-1589475-4	STM015PC2DC060Q	5-1589473-0	STM015SC2DM024N	4-1589777-0
STL065PC2DTC10N	8-1589788-9	STM009PC2DY030N	2-1589788-8	STM015PC2DC120N	5-1589473-1	STM015SC2DM036N	1-1589777-0
STL065PC2GX036Q	9-1589472-1	STM009PC2GX006	5-1589788-3	STM015PC2DCC10Q	0-1589788-9	STM015SC2DMM01N	8-1589476-5
STL065PC3DM072N	9-1589472-2	STM009PC2GX006N	6-1589788-3	STM015PC2DCC30N	5-1589473-2	STM015SC2DT006Q	8-1589476-6
STL065SC2DC006N	3-1589476-6	STM009PC2GX012N	3-1589788-2	STM015PC2DCC90Q	5-1589473-3	STM015SC2DT012HN	8-1589476-7
STL065SC2DC012N	3-1589476-7	STM009PC3DM024Q	6-1589475-1	STM015PC2DCM01N	5-1589473-4	STM015SC2DT012N	4-1589777-4
STL065SC2DC048N	3-1589476-8	STM009SC0DX012N	4-1589476-1	STM015PC2DCM018N	5-1589473-5	STM015SC2DT030N	8-1589476-8
STL065SC2DM036N	3-1589476-9	STM009SC2DC003N	8-1589477-2	STM015PC2DCM020N	4-1589788-2	STM015SC2DTC90Q	8-1589477-1
STL065SC3DM072N	4-1589476-0	STM009SC2DC006	4-1589476-2	STM015PC2DM024N	5-1589473-6	STM015SC2DX005HN	8-1589476-9
STM009PC0DC020N	9-1589472-3	STM009SC2DC006HN	4-1589476-3	STM015PC2DM036N	5-1589473-7	STM015SC2DX006HN	9-1589476-0
STM009PC0DM024N	1-1589788-2	STM009SC2DC006N	4-1589476-4	STM015PC2DMM01N	5-1589473-8	STM015SC2DX010N	9-1589476-1
STM009PC0DXC10N	9-1589472-4	STM009SC2DC012HN	4-1589476-5	STM015PC2DT006Q	5-1589473-9	STM015SC2DX012N	9-1589476-2
STM009PC2DCC03N	9-1589472-5	STM009SC2DC012N	4-1589476-6	STM015PC2DT012N	6-1589473-0	STM015SC2DX018HN	9-1589476-3
STM009PC2DC004N	9-1589472-6	STM009SC2DC012Q	4-1589476-7	STM015PC2DT030N	6-1589473-1	STM015SC2DXC15Q	9-1589476-4
STM009PC2DC006	9-1589472-7	STM009SC2DC018HM	4-1589476-8	STM015PC2DT036N	6-1589473-2	STM015SC4DX012Q	9-1589476-5
STM009PC2DC006N	9-1589472-8	STM009SC2DC018HN	4-1589476-9	STM015PC2DTC15N	4-1589475-1	STM015SC4DX030N	9-1589476-6
STM009PC2DC012	9-1589472-9	STM009SC2DC018N	5-1589476-0	STM015PC2DTC22Q	3-1589788-9	STM015SC4DXC20N	9-1589476-7
STM009PC2DC012M	7-1589788-9	STM009SC2DC024N	5-1589476-1	STM015PC2DTC45N	6-1589473-3	STM025PC0DC012N	7-1589473-3
STM009PC2DC012N	0-1589473-1	STM009SC2DC024Q	2-1589777-5	STM015PC2DTC95Q	2-1589475-8	STM025PC0DC036N	5-1589788-5
STM009PC2DC016N	0-1589473-2	STM009SC2DC036HN	5-1589476-2	STM015PC2DX005Q	5-1589788-9	STM025PC0DC060N	4-1589475-4
STM009PC2DC018N	0-1589473-3	STM009SC2DC036N	5-1589476-3	STM015PC2DX010N	6-1589473-4	STM025PC0DM012N	7-1589473-4
STM009PC2DC019	0-1589473-4	STM009SC2DC048N	5-1589476-4	STM015PC2DX012N	6-1589473-5	STM025PC0DM024N	1-1589788-4
STM009PC2DC020Q	0-1589473-5	STM009SC2DC060Q	5-1589476-5	STM015PC2DX024N	6-1589473-6	STM025PC0DM036N	4-1589788-5
STM009PC2DC024	0-1589473-6	STM009SC2DCC46N	4-1589777-7	STM015PC2DX030N	6-1589473-7	STM025PC2DC003	7-1589473-5
STM009PC2DC024N	0-1589473-7	STM009SC2DCM01HN	5-1589476-6	STM015PC2DX048N	6-1589473-8	STM025PC2DC003N	7-1589473-6
STM009PC2DC024Q	8-1589475-3	STM009SC2DCM01N	9-1589477-1	STM015PC2DX072N	6-1589788-5	STM025PC2DC004	7-1589473-7
STM009PC2DC028N	0-1589473-8	STM009SC2DCM02N	5-1589476-7	STM015PC2DXC15Q	6-1589473-9	STM025PC2DC006	7-1589473-8
STM009PC2DC030N	0-1589473-9	STM009SC2DM012HN	8-1589477-0	STM015PC2GX004N	7-1589473-0	STM025PC2DC006N	7-1589473-9

Part Number Index Cross Reference (Continued)

DUALLOBE Rectangular Connectors



Nanonics Part Number	Tyco Part Number	Nanonics Part Number	Tyco Part Number	Nanonics Part Number	Tyco Part Number	Nanonics Part Number	Tyco Part Number
STM025PC2DC006Q	7-1589788-8	STM025PC4DX012M	2-1589474-4	STM037PC2DC012Q	3-1589474-5	STM037SC2DC036N	3-1589477-7
STM025PC2DC008N	8-1589473-0	STM025PC4DX012N	2-1589474-5	STM037PC2DC015N	3-1589474-6	STM037SC2DC060Q	3-1589477-8
STM025PC2DC010N	8-1589473-1	STM025SC0DC036N	3-1589777-0	STM037PC2DC015Q	3-1589474-7	STM037SC2DM010N	1-1589777-6
STM025PC2DC010Q	6-1589788-0	STM025SC0DM036N	2-1589777-6	STM037PC2DC018Q	4-1589475-0	STM037SC2DM024N	3-1589477-9
STM025PC2DC012	8-1589473-2	STM025SC2DC003	9-1589476-8	STM037PC2DC018N	3-1589474-9	STM037SC2DM036Q	8-1589477-6
STM025PC2DC012N	8-1589473-3	STM025SC2DC004	9-1589476-9	STM037PC2DC020N	4-1589475-2	STM037SC2DT008N	9-1589477-5
STM025PC2DC015N	8-1589473-4	STM025SC2DC006N	0-1589477-1	STM037PC2DC020Q	4-1589474-0	STM037SC2DT012N	8-1589477-8
STM025PC2DC016N	8-1589473-5	STM025SC2DC008N	0-1589477-2	STM037PC2DC024	4-1589474-1	STM037SC2DT020Q	2-1589777-3
STM025PC2DC018N	8-1589473-6	STM025SC2DC012HN	0-1589477-3	STM037PC2DC024N	4-1589474-2	STM037SC2DT030N	4-1589477-0
STM025PC2DC020N	8-1589473-7	STM025SC2DC012N	0-1589477-4	STM037PC2DC024Q	5-1589475-2	STM037SC2DTC20Q	2-1589777-4
STM025PC2DC020Q	8-1589473-8	STM025SC2DC016N	0-1589477-5	STM037PC2DC030N	4-1589474-3	STM037SC2DX006N	4-1589477-1
STM025PC2DC024N	8-1589473-9	STM025SC2DC018N	0-1589477-6	STM037PC2DC036	4-1589474-4	STM037SC2DX010N	4-1589477-2
STM025PC2DC024Q	9-1589473-0	STM025SC2DC020N	0-1589477-7	STM037PC2DC036N	4-1589474-5	STM037SC2DX012N	4-1589477-3
STM025PC2DC030N	9-1589473-1	STM025SC2DC024N	0-1589477-8	STM037PC2DC036Q	4-1589474-6	STM037SC2GX006N	4-1589477-4
STM025PC2DC036M	9-1589473-2	STM025SC2DC036N	0-1589477-9	STM037PC2DC048N	4-1589474-7	STM051PC0DC012N	6-1589474-5
STM025PC2DC036N	9-1589473-3	STM025SC2DC040N	1-1589477-0	STM037PC2DC060Q	4-1589474-8	STM051PC0DC036N	5-1589788-7
STM025PC2DC048N	9-1589473-4	STM025SC2DC048HN	1-1589477-1	STM037PC2DC072N	4-1589474-9	STM051PC0DC048N	6-1589474-6
STM025PC2DC060N	9-1589473-5	STM025SC2DC048N	1-1589477-2	STM037PC2DCC20Q	5-1589474-0	STM051PC0DM036N	1-1589788-9
STM025PC2DC060Q	9-1589473-6	STM025SC2DC060HN	1-1589477-3	STM037PC2DCC50N	5-1589474-1	STM051PC0DM060N	2-1589788-2
STM025PC2DC072N	9-1589473-7	STM025SC2DC060Q	1-1589477-4	STM037PC2DCC50Q	8-1589788-8	STM051PC0DXC10N	6-1589474-7
STM025PC2DC084N	7-1589475-9	STM025SC2DC084N	9-1589477-8	STM037PC2DCM01Q	5-1589474-2	STM051PC1DXC20	6-1589474-8
STM025PC2DC120N	9-1589473-8	STM025SC2DC180N	1-1589477-5	STM037PC2DM012N	5-1589475-1	STM051PC2DC003N	6-1589474-9
STM025PC2DC180N	9-1589473-9	STM025SC2DCC46Q	4-1589777-8	STM037PC2DM018N	5-1589474-3	STM051PC2DC006	7-1589474-0
STM025PC2DCC10Q	1-1589788-0	STM025SC2DCC60N	1-1589477-6	STM037PC2DM020N	4-1589788-4	STM051PC2DC006N	7-1589474-1
STM025PC2DCC40N	0-1589474-1	STM025SC2DM010N	1-1589777-5	STM037PC2DM024M	5-1589474-4	STM051PC2DC012N	7-1589474-2
STM025PC2DCC46N	8-1589788-7	STM025SC2DM012HN	1-1589777-3	STM037PC2DM024N	5-1589474-5	STM051PC2DC012Q	7-1589474-3
STM025PC2DCC50N	0-1589474-2	STM025SC2DM024N	4-1589777-1	STM037PC2DM036	7-1589788-7	STM051PC2DC015N	7-1589474-4
STM025PC2DC060N	0-1589474-3	STM025SC2DM036N	1-1589777-1	STM037PC2DM036Q	4-1589475-5	STM051PC2DC015Q	2-1589788-0
STM025PC2DM006Q	0-1589474-4	STM025SC2DT012HN	1-1589477-7	STM037PC2DT006N	3-1589475-5	STM051PC2DC016N	7-1589474-5
STM025PC2DM012N	0-1589788-7	STM025SC2DT012N	8-1589477-7	STM037PC2DT012M	4-1589475-7	STM051PC2DC018	7-1589474-6
STM025PC2DM012Q	0-1589474-5	STM025SC2DT030N	1-1589477-8	STM037PC2DT012N	5-1589474-7	STM051PC2DC018N	7-1589474-7
STM025PC2DM018N	0-1589474-6	STM025SC2DX005HN	1-1589477-9	STM037PC2DT030N	5-1589474-8	STM051PC2DC018Q	7-1589474-8
STM025PC2DM020N	4-1589788-3	STM025SC2DX006N	2-1589477-0	STM037PC2DT036N	6-1589788-8	STM051PC2DC024	6-1589475-6
STM025PC2DM024N	0-1589474-7	STM025SC2DX010N	2-1589477-1	STM037PC2DT036Q	8-1589788-0	STM051PC2DC024N	7-1589474-9
STM025PC2DM036N	0-1589474-8	STM025SC2DX012N	2-1589477-2	STM037PC2DTC20Q	5-1589788-0	STM051PC2DC030N	8-1589474-0
STM025PC2DM072Q	1-1589788-6	STM025SC2DX018N	2-1589477-3	STM037PC2DX006N	5-1589474-9	STM051PC2DC036N	8-1589474-1
STM025PC2DT006N	3-1589475-4	STM025SC2DY018N	2-1589477-4	STM037PC2DX010N	6-1589474-0	STM051PC2DC036Q	8-1589474-2
STM025PC2DT012M	4-1589475-6	STM025SC3DC012N	2-1589477-5	STM037PC2DX012N	6-1589474-1	STM051PC2DC060N	8-1589474-3
STM025PC2DT012N	0-1589474-9	STM025SC3DMC20DQ	2-1589477-6	STM037PC2DX024N	6-1589474-2	STM051PC2DC060Q	8-1589474-4
STM025PC2DT024N	4-1589788-9	STM025SC3DX030N	0-1589777-4	STM037PC2GX006N	6-1589474-3	STM051PC2DCC20N	8-1589474-5
STM025PC2DT030N	1-1589474-0	STM025SC4DX030N	2-1589477-7	STM037PC3DC012N	6-1589474-4	STM051PC2DCC30N	9-1589475-7
STM025PC2DT036Q	1-1589474-1	STM037PC0DC009N	2-1589474-6	STM037PC3DM024Q	7-1589475-0	STM051PC2DCC50N	3-1589788-5
STM025PC2DT048Q	1-1589474-2	STM037PC0DC009Q	8-1589788-5	STM037SC0DC036N	3-1589777-1	STM051PC2DCC50Q	3-1589788-6
STM025PC2DT084N	6-1589788-4	STM037PC0DC036N	5-1589788-6	STM037SC0DM036N	3-1589777-7	STM051PC2DM018N	8-1589474-6
STM025PC2DX005	1-1589474-3	STM037PC0DM024N	1-1589788-5	STM037SC0DM060N	2-1589777-2	STM051PC2DM024N	7-1589788-0
STM025PC2DX006N	1-1589474-4	STM037PC0DM036N	1-1589788-8	STM037SC0DXC10N	2-1589477-8	STM051PC2DMM01N	8-1589474-7
STM025PC2DX006Q	1-1589474-5	STM037PC0DM060N	2-1589788-1	STM037SC2DC006N	2-1589477-9	STM051PC2DT012N	8-1589474-9
STM025PC2DX010N	1-1589474-6	STM037PC0DXC10N	2-1589474-7	STM037SC2DC006Q	3-1589477-0	STM051PC2DT018N	7-1589788-2
STM025PC2DX012N	1-1589474-7	STM037PC2DC001N	6-1589788-7	STM037SC2DC012HN	0-1589777-9	STM051PC2DT030N	9-1589474-0
STM025PC2DX018N	1-1589474-8	STM037PC2DC003N	2-1589474-8	STM037SC2DC012N	3-1589477-1	STM051PC2DT036N	9-1589474-1
STM025PC2DX048N	1-1589474-9	STM037PC2DC005N	2-1589474-9	STM037SC2DC012Q	9-1589477-0	STM051PC2DT036Q	8-1589788-1
STM025PC2DX072N	6-1589788-6	STM037PC2DC006M	3-1589474-0	STM037SC2DC015N	3-1589477-2	STM051PC2DT072N	9-1589474-2
STM025PC2DY004	2-1589474-0	STM037PC2DC006N	3-1589474-1	STM037SC2DC015Q	8-1589477-9	STM051PC2DX012N	9-1589474-3
STM025PC2DY006	2-1589474-1	STM037PC2DC010Q	6-1589788-1	STM037SC2DC018HN	3-1589477-3	STM051PC2DX012Q	9-1589474-4
STM025PC2DY006N	2-1589474-2	STM037PC2DC012	3-1589474-2	STM037SC2DC018N	3-1589477-4	STM051PC2DX015N	9-1589474-5
STM025PC3DM024Q	6-1589475-9	STM037PC2DC012M	3-1589474-3	STM037SC2DC020Q	3-1589477-5	STM051PC2DX018	9-1589474-6
STM025PC3DX030N	9-1589475-1	STM037PC2DC012N	3-1589474-4	STM037SC2DC024N	3-1589477-6	STM051PC2DX018N	9-1589474-7

Part Number Index Cross Reference (Continued)

Nanonics Part Number	Tyco Part Number	Nanonics Part Number	Tyco Part Number	Nanonics Part Number	Tyco Part Number	Nanonics Part Number	Tyco Part Number
STM051PC2DY015N	9-1589474-8	STM065PC2DM024N	5-1589475-0	Jumper Assemblies		JSM025PP2DC006N	1-1589735-4
STM051PC2GX006N	3-1589475-6	STM065PC2DM036N	6-1589788-2	JSL005PP2DC002N	1-1589735-5	JSM025PP2DX004N	2-1589672-0
STM051PC2GX012N	3-1589788-1	STM065PC2DMC46N	4-1589788-0	JSL009PP2DC006N	0-1589735-8	JSM025PP2DX008N	2-1589672-1
STM051PC2GXM01N	9-1589474-9	STM065PC2DT012N	8-1589475-5	JSL009PP2DX003N	7-1589671-1	JSM025PP2DXC17N	2-1589672-2
STM051SC0DC036N	3-1589777-2	STM065PC2DT018N	1-1589475-8	JSL009PP2DX006N	0-1589735-7	JSM025PP2GX003N	2-1589672-3
STM051SC0DXC10N	4-1589477-5	STM065PC2DT030N	1-1589475-9	JSL009PR2DC012N	7-1589671-2	JSM025PP2GX024N	2-1589672-4
STM051SC1DXC20	4-1589477-6	STM065PC2DTC10N	9-1589788-0	JSL009RR2DX0.5N	7-1589671-3	JSM025PP4DXC20N	2-1589672-5
STM051SC2DC003N	4-1589477-7	STM065PC2DX006N	2-1589475-0	JSL015PD2DX002N	4-1589699-8	JSM025PR2DC006N	2-1589672-6
STM051SC2DC006	4-1589477-8	STM065PC2DX018N	2-1589475-1	JSL015PP2DX001N	0-1589735-2	JSM025PR2DC1.5N	5-1589699-5
STM051SC2DC006N	4-1589477-9	STM065PC2DX036N	2-1589475-2	JSL015PP2DX006N	7-1589671-4	JSM025PR2GX002N	2-1589672-7
STM051SC2DC008Q	3-1589777-5	STM065PC2DY012N	2-1589475-3	JSL025PP2DC012N	0-1589735-1	JSM025RR2DC006N	0-1589803-1
STM051SC2DC012N	5-1589477-0	STM065PC2DY012Q	2-1589788-7	JSL037PD2GX002N	7-1589671-5	JSM037PD2GX002N	0-1589797-2
STM051SC2DC015HN	5-1589477-1	STM065PC2DY024N	2-1589475-4	JSL037PR2DX002N	7-1589671-6	JSM037PD2GX005N	0-1589797-1
STM051SC2DC015N	5-1589477-2	STM065PC2GXM01N	2-1589475-5	JSL037PR2DX003N	0-1589736-2	JSM037PD2GX010N	3-1589672-3
STM051SC2DC016N	5-1589477-3	STM065PC3DM006N	2-1589475-6	JSL051PD2GX010N	7-1589671-7	JSM037PP2DCC06Q	3-1589672-4
STM051SC2DC018HN	5-1589477-4	STM065PC3DX024N	2-1589475-7	JSL051PD2GX017N	7-1589671-8	JSM037PP2DCC08Q	3-1589672-5
STM051SC2DC018N	5-1589477-5	STM065SC0DC036N	3-1589777-3	JSL051PD2GX022N	7-1589671-9	JSM037PP2DX018N	3-1589672-6
STM051SC2DC018Q	5-1589477-6	STM065SC2DC003N	6-1589477-6	JSL051PD2GX030N	8-1589671-0	JSM037PP2GX072N	3-1589672-7
STM051SC2DC036N	5-1589477-7	STM065SC2DC006	6-1589477-7	JSL051PD2GX075N	8-1589671-1	JSM037PR2DTC03N	0-1589736-3
STM051SC2DC036Q	0-1589777-7	STM065SC2DC006N	6-1589477-8	JSL051PD2GX080N	8-1589671-2	JSM051PD2GX010N	4-1589672-7
STM051SC2DC060N	5-1589477-8	STM065SC2DC008Q	3-1589777-6	JSL051PP2DC004N	8-1589671-3	JSM051PD2GX012	4-1589672-8
STM051SC2DC060Q	5-1589477-9	STM065SC2DC012N	6-1589477-9	JSL051PP2GX010N	8-1589671-4	JSM051PD2GX012N	4-1589672-9
STM051SC2DM012N	6-1589477-0	STM065SC2DC012Q	7-1589477-0	JSL051PP2GX015N	8-1589671-5	JSM051PD2GX015N	5-1589672-0
STM051SC2DM024N	4-1589777-2	STM065SC2DC015N	7-1589477-1	JSL051PP2GX017N	8-1589671-6	JSM051PD2GX017N	5-1589672-1
STM051SC2DM01N	6-1589477-1	STM065SC2DC018	7-1589477-2	JSL051PP2GX022N	8-1589671-7	JSM051PD2GX050N	5-1589672-2
STM051SC2DT012N	0-1589777-3	STM065SC2DC018N	7-1589477-3	JSL051PP2GX075N	8-1589671-8	JSM051PP2DCC12Q	5-1589672-3
STM051SC2DT018N	4-1589777-5	STM065SC2DC018Q	7-1589477-4	JSL051PP2GX080N	8-1589671-9	JSM051PP2GX012	5-1589672-4
STM051SC2DT030N	6-1589477-3	STM065SC2DC024N	7-1589477-5	JSL051PR2GX002	0-1589736-4	JSM051PP2GX012N	5-1589672-5
STM051SC2DX012N	6-1589477-4	STM065SC2DC024Q	7-1589477-6	JSM005PP2DC002N	9-1589671-0	JSM051PP2GX017N	5-1589672-6
STM051SC2DX015N	6-1589477-5	STM065SC2DC036	9-1589477-3	JSM005PP2DC003N	1-1589735-0	JSM051PP2GX022N	5-1589672-7
STM065PC0DC036N	5-1589788-8	STM065SC2DC036HN	7-1589477-7	JSM005PP2DC005N	0-1589735-9	JSM051PP2GX050N	5-1589672-8
STM065PC0DM036N	4-1589788-6	STM065SC2DC036N	7-1589477-8	JSM005PP2DC008	0-1589735-3	JSM051PP2GX075N	5-1589672-9
STM065PC0DM060N	2-1589788-3	STM065SC2DC036Q	0-1589777-8	JSM005PP2DC02.5N	0-1589735-5	JSM051PP2GX080N	6-1589672-0
STM065PC0DMC30Q	9-1589475-8	STM065SC2DM024N	4-1589777-3	JSM005PP2DC072	0-1589735-4	JSM051PR2DC1.5N	5-1589699-6
STM065PC0DMM01Q	4-1589788-8	STM065SC2DT012N	0-1589777-2	JSM005PP2DT150N	9-1589671-1	JSM051PR2GX002N	6-1589672-1
STM065PC2DC003N	0-1589475-1	STM065SC2DT018N	4-1589777-6	JSM009PP2DC002N	9-1589671-5	JTL009PD2GX006N	3-1589729-8
STM065PC2DC006	0-1589475-2	STM065SC2DT030N	7-1589477-9	JSM009PP2DC003N	9-1589671-6	JTL009PD2GX012N	7-1589699-3
STM065PC2DC006N	0-1589475-3			JSM009PP2DC006N	1-1589735-2	JTL009PD2GX018N	3-1589729-9
STM065PC2DC008Q	0-1589475-4			JSM009PP2DC024N	9-1589671-7	JTL009PP2DC012N	0-1589737-3
STM065PC2DC012N	0-1589475-5			JSM009PP2DM005Q	0-1589735-6	JTL009PP2DX006N	1-1589737-7
STM065PC2DC012Q	0-1589475-6			JSM009PR2DC002N	9-1589671-8	JTL009PR2DC018N	5-1589699-8
STM065PC2DC016M	0-1589475-7			JSM009PR2DC006N	9-1589671-9	JTL015PP2DX002N	0-1589737-1
STM065PC2DC016N	0-1589475-8			JSM015PD2DCC02N	0-1589672-6	JTL015PP2DX006N	1-1589737-6
STM065PC2DC018M	0-1589475-9			JSM015PD2GX005N	0-1589797-3	JTL015PP2DX008M	9-1589672-5
STM065PC2DC018N	1-1589475-0			JSM015PP2DC004N	1-1589735-1	JTL015PP2DX014N	5-1589699-0
STM065PC2DC018Q	1-1589475-1			JSM015PP2DC006N	1-1589735-3	JTL015PR0DC011N	1-1589738-3
STM065PC2DC020N	4-1589475-3			JSM015PP2GX001N	0-1589799-3	JTL015PR2DX008	9-1589672-6
STM065PC2DC024N	1-1589475-2			JSM015PP2GX002N	0-1589799-2	JTL025PD2DC010N	5-1589699-9
STM065PC2DC024Q	1-1589475-3			JSM015PP2GX006N	0-1589799-1	JTL025PD2DC1.25N	5-1589699-7
STM065PC2DC030N	1-1589475-4			JSM015PP2GX014N	0-1589672-7	JTL025PP2DC001M	4-1589737-3
STM065PC2DC036	5-1589475-6			JSM015PP2GX018N	0-1589672-8	JTL025PP2DC001N	4-1589737-2
STM065PC2DC036N	1-1589475-5			JSM015PR2DC001N	0-1589672-9	JTL025PP2DC036N	9-1589672-8
STM065PC2DC072N	1-1589475-6			JSM015PR2DC002N	1-1589672-0	JTL025PP2DCC05N	0-1589737-5
STM065PC2DCC50N	4-1589475-9			JSM015PR2DC003N	1-1589672-1	JTL025PP2DCC07N	9-1589672-9
STM065PC2DCM01N	7-1589475-7			JSM015PR2DC004N	4-1589699-9	JTL025PP2DX002N	0-1589673-1
STM065PC2DCM01Q	8-1589475-9			JSM015PR2DC006N	1-1589672-2	JTL025PP2DX003N	0-1589673-2
STM065PC2DM018N	1-1589475-7			JSM015PR2DX003N	0-1589736-1	JTL025PP2DX010N	0-1589673-3

Part Number Index Cross Reference (Continued)

Nanonics Part Number	Tyco Part Number	Nanonics Part Number	Tyco Part Number	Nanonics Part Number	Tyco Part Number	Nanonics Part Number	Tyco Part Number
JTL025PR0DC007N	1-1589738-4	JTM015PP2DY011N	2-1589737-0	JTM037PP2DX006Q	9-1589674-7	JTM065PR2GX001N	0-1589676-9
JTL025PR2DCM31N	0-1589673-4	JTM015PP2DY022N	2-1589737-1	JTM037PP2DX009Q	9-1589674-8	JTM065RR2DC003	1-1589676-0
JTL037PP2DC012N	4-1589737-0	JTM015PR2DC002N	7-1589673-8	JTM037PP2DX010Q	2-1589737-9		
JTL037PP2DC024N	4-1589737-1	JTM015PR2DC003Q	2-1589738-0	JTM037PP2DX016	9-1589674-9		
JTL037PP2DC07.5N	0-1589673-5	JTM015PR2DC012M	7-1589673-9	JTM037PP2DX024N	0-1589675-1	Surface Mount	
JTL037PP2DC08.5N	0-1589673-6	JTM015PR2DT001N	8-1589673-0	JTM037PP2DX3.5N	2-1589737-6	SSL005L2AN	0-1589462-5
JTL037PP2DC09.5N	0-1589673-7	JTM015PR2DT002M	0-1589738-2	JTM037PR0DC036M	0-1589675-3	SSL005L2HN	0-1589462-6
JTL037PP2DM006N	0-1589737-7	JTM015PR2DX001N	2-1589738-6	JTM037PR2DC003Q	2-1589738-2	SSL009B2H	0-1589700-2
JTL037PP2DX002N	0-1589673-8	JTM015PR2DX003N	0-1589738-6	JTM037PR2DC005N	1-1589738-2	SSL009L2AN	0-1589462-7
JTL037PP2DX003N	0-1589673-9	JTM015RR2DC012N	0-1589804-1	JTM037PR2DCC16Q	1-1589738-0	SSL009L2AQ	0-1589462-8
JTL037PP2DX006N	1-1589737-5	JTM025PD2GX002N	0-1589798-3	JTM037PR2DT001N	0-1589675-4	SSL009L2HN	0-1589462-9
JTL037PP2DX012	1-1589673-0	JTM025PP2DC001N	4-1589737-7	JTM037PR2DT002M	0-1589738-4	SSL009L42HN	0-1589463-1
JTL037PP2DX012N	2-1589737-7	JTM025PP2DC012N	4-1589737-6	JTM037PR2DX001	1-1589738-1	SSL009L43KN	0-1589464-1
JTL037PR2DC012N	3-1589738-0	JTM025PP2DC018N	3-1589737-3	JTM037PR2DX001N	0-1589675-5	SSL009L4CN	0-1589463-2
JTL037PR2DC024N	3-1589738-1	JTM025PP2DC024N	3-1589737-5	JTM037PR2DX001Q	1-1589738-6	SSL009L4KN	0-1589463-3
JTL037PR2DT024N	1-1589673-1	JTM025PP2DC030N	3-1589737-7	JTM037PR2DX006Q	1-1589738-7	SSL015L2AN	1-1589462-0
JTL037PR2DX001	0-1589738-9	JTM025PP2DC035N	5-1589737-0	JTM037PR2GX002	0-1589675-6	SSL015L2AQ	1-1589462-1
JTL051PP2DC009N	0-1589737-4	JTM025PP2DC.75N	1-1589737-8	JTM037PR2GX003N	0-1589675-7	SSL015L2CN	1-1589462-2
JTL051PP2DX002N	1-1589673-4	JTM025PP2DM024M	3-1589737-2	JTM051PD2DC002N	0-1589798-4	SSL015L2H	1-1589462-3
JTL051PP2DX006N	1-1589673-5	JTM025PP2DX001N	2-1589674-8	JTM051PD2DX004N	6-1589675-1	SSL015L2HN	1-1589462-4
JTL051PP2DX010N	1-1589673-6	JTM025PP2DX012N	2-1589674-9	JTM051PD2DXC10N	6-1589675-2	SSL015L4N	0-1589463-4
JTL051PP2DX024N	1-1589673-7	JTM025PP2DX018N	3-1589674-0	JTM051PP2DC001N	4-1589737-5	SSL015L4PQ	2-1589463-6
JTL051PR2DC012N	1-1589738-5	JTM025PP2DX022N	3-1589674-1	JTM051PP2DC004N	6-1589675-3	SSL025B2	0-1589460-1
JTL051PR2DC048	1-1589673-8	JTM025PP2DX03.8M	3-1589674-2	JTM051PP2DC002N	6-1589675-3	SSL025L23N	1-1589462-5
JTL065PP2DC005N	2-1589737-2	JTM025PP2DX03.8N	3-1589674-3	JTM051PP2DC2.5N	7-1589699-4	SSL025L2AN	1-1589462-6
JTL065PP2DC006N	2-1589737-5	JTM025PP2DX040N	2-1589737-4	JTM051PP2DT005	0-1589737-2	SSL025L2HN	1-1589462-7
JTL065PP2DC012N	2-1589673-3	JTM025PP2DY006	0-1589737-6	JTM051PP2DX001N	6-1589675-4	SSL025L42	0-1589463-5
JTL065PP2DCC005N	2-1589673-4	JTM025PP2DY006N	3-1589674-4	JTM051PP2DX004N	6-1589675-5	SSL037B2H	0-1589700-3
JTL065PP2DX012N	0-1589737-8	JTM025PP2DY020N	3-1589674-5	JTM051PR2DC009Q	5-1589737-2	SSL037B2N	0-1589460-4
JTL065PR2DX002N	0-1589738-8	JTM025PP2DY024N	2-1589737-3	JTM051PP2DX012N	6-1589675-6	SSL037L2HN	1-1589462-8
JTM009PD2DX003N	3-1589673-1	JTM025PR0DXC20N	3-1589674-6	JTM051PP2DX036N	1-1589737-3	SSL037L43KN	0-1589464-2
JTM009PD2DX006N	3-1589673-2	JTM025PR0DXC30N	3-1589674-7	JTM051PP2DX040N	1-1589737-4	SSL051B2	0-1589460-5
JTM009PP2DC006N	4-1589737-9	JTM025PR2DC003Q	2-1589738-1	JTM051PP2DX2.5N	6-1589675-7	SSL051L2CN	1-1589462-9
JTM009PP2DC012N	4-1589737-8	JTM025PR2DT001N	3-1589674-8	JTM051PP2DX4.5N	6-1589675-8	SSL051L2HN	2-1589462-0
JTM009PP2DC02.5N	3-1589673-3	JTM025PR2DT002M	0-1589738-1	JTM051PR0DC036N	2-1589738-9	SSM005L2HN	2-1589462-1
JTM009PP2DM004N	1-1589737-0	JTM025PR2DT240N	3-1589674-9	JTM051PR2DC002N	6-1589675-9	SSM005L2	4-1589462-8
JTM009PP2DT002N	3-1589673-4	JTM025PR2DX0.5N	4-1589674-0	JTM051PR2DC003Q	2-1589738-3	SSM005L82HN	0-1589467-3
JTM009PP2DT004N	3-1589673-5	JTM025PR2DX001N	2-1589738-7	JTM051PR2DC005	7-1589675-0	SSM005L84HN	0-1589467-4
JTM009PP2DX006N	3-1589673-6	JTM025PR2DX003N	0-1589738-5	JTM051PR2DC006Q	2-1589738-4	SSM005L85HN	0-1589468-1
JTM009PR2DC003Q	1-1589738-9	JTM025PR2DX006Q	4-1589674-1	JTM051PR2DC018N	0-1589738-7	SSM009B2H	0-1589700-4
JTM009PR2DCC50N	3-1589673-7	JTM025PR2DX012N	4-1589674-2	JTM051PR2DT001N	7-1589675-1	SSM009B2N	0-1589460-7
JTM009PR2DT002M	0-1589738-3	JTM025PR2DX020	4-1589674-3	JTM051PR2DX002N	7-1589675-2	SSM009L2	2-1589462-2
JTM009PR2DX001N	2-1589738-5	JTM037PD2DC002N	8-1589674-8	JTM051PR2GX002	7-1589675-3	SSM009L2AN	2-1589462-3
JTM015PD2GX006N	0-1589798-1	JTM037PD2DC004N	8-1589674-9	JTM051PR2GX006Q	7-1589675-4	SSM009L2AQ	2-1589462-4
JTM015PD2GX006N	0-1589798-2	JTM037PD2GX012N	9-1589674-0	JTM051RR2DC003	7-1589675-5	SSM009L2HN	2-1589462-5
JTM015PD2GX012N	6-1589673-4	JTM037PD2GX024N	9-1589674-1	JTM065PD2GX022N	7-1589699-1	SSM009L2N	2-1589462-6
JTM015PP2DC006M	6-1589673-5	JTM037PP0DM006	9-1589674-2	JTM065PP2DC004N	1-1589737-2	SSM009L2SN	2-1589462-7
JTM015PP2DC012M	6-1589673-6	JTM037PP0DM006N	3-1589737-9	JTM065PP2DMC10Q	3-1589737-1	SSM009L42KN	0-1589463-6
JTM015PP2DC02.5N	6-1589673-7	JTM037PP2DC018N	3-1589737-4	JTM065PP2DX002N	0-1589676-1	SSM009L44KN	0-1589463-7
JTM015PP2DC05.5N	4-1589737-4	JTM037PP2DC024N	3-1589737-6	JTM065PP2DX004N	0-1589676-2	SSM009L44N	0-1589463-8
JTM015PP2DT004N	6-1589673-8	JTM037PP2DC036N	3-1589737-8	JTM065PP2DX006N	0-1589676-3	SSM009L4AQ	2-1589463-7
JTM015PP2DX001N	6-1589673-9	JTM037PP2DC041N	5-1589737-1	JTM065PP2DX007N	0-1589676-4	SSM009L4KN	0-1589463-9
JTM015PP2DX005Q	2-1589737-8	JTM037PP2DX001.75N	9-1589674-3	JTM065PR2DC001N	0-1589676-5	SSM009L85HN	0-1589468-2
JTM015PP2DX006N	7-1589673-0	JTM037PP2DX001N	9-1589674-4	JTM065PR2DC003N	0-1589676-6	SSM015B2N	1-1589460-3
JTM015PP2DX009N	7-1589673-1	JTM037PP2DX002N	0-1589737-9	JTM065PR2DC003N	0-1589676-7	SSM015B45H	0-1589466-1
JTM015PP2DX024N	7-1589673-2	JTM037PP2DX002Q	3-1589737-0	JTM065PR2DX001N	2-1589738-8	SSM015H5	0-1589819-1
JTM015PP2DY003N	1-1589737-9	JTM037PP2DX004N	9-1589674-6	JTM065PR2DX004N	0-1589676-8	SSM015L2AN	2-1589462-8
				JTM065PR2DX004Q	1-1589738-8	SSM015L2AQ	2-1589462-9

Part Number Index Cross Reference (Continued)

Nanonics Part Number	Tyco Part Number	Nanonics Part Number	Tyco Part Number	Nanonics Part Number	Tyco Part Number	Nanonics Part Number	Tyco Part Number
SSM015L2CN	3-1589462-0	STL009L44KN	9-1589484-3	STL065L42KN	2-1589484-0	STM015L8HN	3-1589486-7
SSM015L2HN	3-1589462-1	STL009L4KN	0-1589484-3	STL065L44N	2-1589484-1	STM025B2N	0-1589490-4
SSM015L2N	4-1589462-7	STL009L4N	9-1589484-2	STL065L4CQ	2-1589484-2	STM025B42N	0-1589485-5
SSM015L2SN	3-1589462-2	STL015B2N	0-1589490-1	STL065L4KN	2-1589484-3	STM025B44	0-1589485-6
SSM015L44KN	1-1589463-0	STL015B44N	0-1589485-1	STL065T5	0-1589814-1	STM025B44N	1-1589485-9
SSM015L4KN	1-1589463-1	STL015L23N	1-1589483-0	STM009B2N	1-1589490-2	STM025B44Q	1-1589485-7
SSM015L4PQ	1-1589463-2	STL015L2AN	1-1589483-1	STM009B42N	0-1589485-3	STM025H2N	0-1589902-2
SSM015L82HN	0-1589467-2	STL015L2AQ	1-1589483-2	STM009B44Q	1-1589485-5	STM025H44N	0-1589817-1
SSM015L84HN	0-1589467-5	STL015L2CN	1-1589483-3	STM009H2N	0-1589902-4	STM025H5N	0-1589813-2
SSM015L85HN	0-1589468-3	STL015L2HN	1-1589483-4	STM009L23N	2-1589483-9	STM025H5Q	0-1589813-3
SSM025B2H	0-1589700-5	STL015L2HQ	8-1589483-7	STM009L2AN	9-1589483-9	STM025L2AN	4-1589483-2
SSM025B44N	0-1589465-1	STL015L2N	8-1589483-6	STM009L2AQ	8-1589483-2	STM025L2AQ	4-1589483-3
SSM025B45K	0-1589466-2	STL015L423N	0-1589484-4	STM009L2CN	7-1589483-8	STM025L2CN	4-1589483-4
SSM025L23N	3-1589462-3	STL015L42KN	0-1589484-5	STM009L2HN	3-1589483-0	STM025L2HN	4-1589483-5
SSM025L2AN	3-1589462-4	STL015L44KN	0-1589484-6	STM009L2N	3-1589483-1	STM025L2HQ	4-1589483-6
SSM025L2AQ	3-1589462-5	STL015L44N	0-1589484-7	STM009L2SN	3-1589483-2	STM025L2IQ	4-1589483-7
SSM025L2GQ	4-1589462-9	STL015L4CQ	0-1589484-8	STM009L42CN	8-1589484-1	STM025L2JN	4-1589483-8
SSM025L2HN	3-1589462-6	STL015L4HN	0-1589484-9	STM009L42HN	2-1589484-4	STM025L2N	4-1589483-9
SSM025L2N	5-1589462-2	STL015L4KN	1-1589484-0	STM009L42KN	2-1589484-5	STM025L42CN	7-1589484-9
SSM025L2SN	3-1589462-8	STL025B2	0-1589490-2	STM009L44HN	2-1589484-6	STM025L42KN	4-1589484-0
SSM025L42HN	2-1589463-4	STL025B2N	1-1589490-1	STM009L44PQ	2-1589484-7	STM025L44HM	4-1589484-1
SSM025L44HN	1-1589463-3	STL025B44M	2-1589485-3	STM009L44Q	2-1589484-8	STM025L44HN	4-1589484-2
SSM025L44KN	1-1589463-4	STL025L2AN	1-1589483-5	STM009L4AQ	2-1589484-9	STM025L44KN	4-1589484-3
SSM025L44SN	2-1589463-8	STL025L2AQ	1-1589483-6	STM009L4KN	3-1589484-0	STM025L44N	4-1589484-4
SSM025L45KN	0-1589464-3	STL025L2CN	8-1589483-9	STM009L4PQ	3-1589484-1	STM025L44PQ	4-1589484-5
SSM025L4HN	1-1589463-5	STL025L2HN	1-1589483-7	STM009L84HN	2-1589486-4	STM025L44Q	4-1589484-6
SSM025L4KN	1-1589463-6	STL025L2HQ	8-1589483-8	STM009L8HN	1-1589486-7	STM025L4CN	7-1589484-6
SSM025L4PQ	1-1589463-7	STL025L2JN	1-1589483-8	STM015B2N	0-1589490-3	STM025L4KN	4-1589484-7
SSM025L4SN	1-1589463-8	STL025L42KN	1-1589484-1	STM015B42N	0-1589485-4	STM025L4LQ	4-1589484-8
SSM037B2	0-1589460-9	STL025L44KN	9-1589484-4	STM015H2N	0-1589902-3	STM025L4PN	4-1589484-9
SSM037B2H	0-1589700-6	STL025L44N	1-1589484-2	STM015H5Q	0-1589813-1	STM025L4PQ	5-1589484-0
SSM037B2N	1-1589460-2	STL025L4HN	1-1589484-3	STM015L23N	3-1589483-4	STM025L4SN	5-1589484-1
SSM037L2AQ	3-1589462-9	STL025L4KN	1-1589484-4	STM015L2AQ	3-1589483-5	STM025L82CN	2-1589486-9
SSM037L2HN	4-1589462-1	STL025L4PQ	8-1589484-6	STM015L2CN	7-1589483-7	STM025L82HN	0-1589486-3
SSM037L2IQ	5-1589462-1	STL037B2M	1-1589490-3	STM015L2HN	3-1589483-6	STM025L84CN	3-1589486-3
SSM037L42IQ	2-1589463-5	STL037B42	0-1589485-2	STM015L2HQ	3-1589483-7	STM025L84KN	0-1589486-4
SSM037L42KN	1-1589463-9	STL037L23N	1-1589483-9	STM015L2LQ	3-1589483-8	STM025L8HN	0-1589486-9
SSM037L4KN	2-1589463-0	STL037L2AN	2-1589483-0	STM015L2N	3-1589483-9	STM037B2H	0-1589480-1
SSM037L82AQ	0-1589467-6	STL037L2AQ	2-1589483-1	STM015L2SN	4-1589483-0	STM037B2M	1-1589490-4
SSM037L84KN	0-1589467-1	STL037L2HN	2-1589483-2	STM015L42KN	3-1589484-2	STM037B2N	0-1589490-5
SSM037L85PQ	0-1589468-4	STL037L2JN	2-1589483-3	STM015L44AQ	3-1589484-3	STM037B4	2-1589485-0
SSM051B2H	0-1589700-1	STL037L2KN	9-1589483-7	STM015L44HN	3-1589484-4	STM037B42N	0-1589485-8
SSM051L2AQ	4-1589462-3	STL037L2N	8-1589483-5	STM015L44KN	3-1589484-5	STM037B42Q	1-1589485-8
SSM051L2GQ	5-1589462-0	STL037L42KN	8-1589484-2	STM015L44Q	3-1589484-6	STM037B4N	0-1589485-9
SSM051L2HN	4-1589462-4	STL037L44KN	1-1589484-5	STM015L4HN	3-1589484-7	STM037H2N	0-1589902-1
SSM051L2IQ	4-1589462-5	STL037L4HN	1-1589484-6	STM015L4KN	3-1589484-8	STM037L23N	5-1589483-2
SSM051L42KN	2-1589463-1	STL051L2AN	9-1589483-4	STM015L4PQ	3-1589484-9	STM037L2AN	5-1589483-3
SSM051L44KN	2-1589463-2	STL051L2AQ	2-1589483-4	STM015L4SN	8-1589484-8	STM037L2AQ	5-1589483-4
SSM051L4KN	2-1589463-3	STL051L2CN	2-1589483-5	STM015L82CN	3-1589486-0	STM037L2CN	8-1589483-1
STL009L23N	8-1589483-3	STL051L2HN	2-1589483-6	STM015L82HN	0-1589486-1	STM037L2HN	5-1589483-5
STL009L2AQ	9-1589483-2	STL051L42KN	1-1589484-7	STM015L82IQ	1-1589486-3	STM037L2IQ	9-1589483-1
STL009L2H	0-1589483-8	STL051L4HN	1-1589484-8	STM015L82LQ	2-1589486-1	STM037L2KN	9-1589483-8
STL009L2HN	0-1589483-9	STL051L4KN	1-1589484-9	STM015L84AQ	3-1589486-5	STM037L2N	8-1589483-4
STL009L423N	0-1589484-1	STL051L4PQ	8-1589484-7	STM015L84CN	3-1589486-2	STM037L2SN	5-1589483-7
STL009L42CN	9-1589484-0	STL065L2AQ	9-1589483-0	STM015L84HN	2-1589486-5	STM037L2TQ	9-1589483-5
STL009L42HN	8-1589484-4	STL065L2HN	2-1589483-7	STM015L84IQ	3-1589486-4	STM037L42AQ	9-1589484-7
STL009L42KN	0-1589484-2	STL065L2N	2-1589483-8	STM015L84KN	0-1589486-2	STM037L42HN	5-1589484-2

Part Number Index Cross Reference (Continued)

Nanonics Part Number	Tyco Part Number	Nanonics Part Number	Tyco Part Number	Nanonics Part Number	Tyco Part Number	Nanonics Part Number	Tyco Part Number
STM037L42K	5-1589484-3	STM065B2H	0-1589480-3	SSM009M5LQ	0-1589470-7	STL037M5Q	1-1589488-4
STM037L42KN	5-1589484-4	STM065B2N	1-1589490-0	SSM009M6AQ	1-1589469-8	STL037M6HN	6-1589487-6
STM037L42PQ	8-1589484-3	STM065B2Q	0-1589490-9	SSM009M6CN	1-1589469-9	STL037M6SN	1-1589487-5
STM037L44DQ	8-1589484-0	STM065B42N	1-1589485-1	SSM009M6DQ	2-1589469-0	STL051M5CN	1-1589488-5
STM037L44KN	5-1589484-5	STM065B42Q	2-1589485-1	SSM009M6HN	2-1589469-2	STL051M5KN	5-1589488-4
STM037L44N	8-1589484-9	STM065B44	1-1589485-2	SSM009M6SN	2-1589469-4	STL051M6A	1-1589487-6
STM037L44PQ	5-1589484-6	STM065B44N	1-1589485-6	SSM015C5N	0-1589461-2	STL051M6AN	8-1589487-0
STM037L44Q	5-1589484-7	STM065B44Q	1-1589485-3	SSM015C6N	0-1589471-4	STL051M6HN	6-1589487-7
STM037L44SN	5-1589484-8	STM065B4Q	1-1589485-4	SSM015M5CN	0-1589470-8	STL051M6IN	8-1589487-1
STM037L4CN	7-1589484-7	STM065L23N	7-1589483-0	SSM015M5LQ	0-1589470-9	STL051M6SN	1-1589487-7
STM037L4HN	5-1589484-9	STM065L2AQ	7-1589483-1	SSM015M6HN	2-1589469-5	STL065M5KN	5-1589488-3
STM037L4KN	6-1589484-0	STM065L2CN	7-1589483-2	SSM015M6SN	2-1589469-6	STL065M6HN	8-1589487-2
STM037L4PQ	6-1589484-1	STM065L2HN	7-1589483-3	SSM025C6Q	0-1589471-2	STL065M6SN	1-1589487-8
STM037L4SN	9-1589484-6	STM065L2IQ	8-1589483-0	SSM025M5CN	1-1589470-0	STM009C5N	1-1589482-3
STM037L82AQ	0-1589486-5	STM065L2JN	7-1589483-4	SSM025M5HN	1-1589470-1	STM009C5Q	1-1589482-5
STM037L82HN	1-1589486-2	STM065L2KN	7-1589483-5	SSM025M5LQ	1-1589470-2	STM009C6N	0-1589481-2
STM037L82PQ	1-1589486-1	STM065L42HN	7-1589484-2	SSM025M5N	1-1589470-4	STM009M5AQ	5-1589488-8
STM037L84AQ	1-1589486-6	STM065L42KN	7-1589484-3	SSM025M6AQ	4-1589469-6	STM009M5CN	1-1589488-6
STM037L84HN	2-1589486-7	STM065L42N	7-1589484-4	SSM025M6DQ	2-1589469-7	STM009M5DQ	1-1589488-7
STM037L84N	1-1589486-9	STM065L4KN	7-1589484-5	SSM025M6HN	2-1589469-8	STM009M5HN	1-1589488-8
STM037L84PQ	3-1589486-6	STM065L82AQ	0-1589486-6	SSM025M6SN	3-1589469-0	STM009M5LQ	1-1589488-9
STM037L84SN	3-1589486-8	STM065L82HN	0-1589486-7	SSM037C5Q	0-1589461-4	STM009M5PQ	5-1589488-9
STM037L8HN	4-1589486-0	STM065L82IQ	1-1589486-4	SSM037C6N	0-1589471-3	STM009M5Q	2-1589488-0
STM051B2H	0-1589480-2	STM065L82LQ	2-1589486-3	SSM037M6HN	3-1589469-2	STM009M6AN	1-1589487-9
STM051B2N	0-1589490-6	STM065L84HN	2-1589486-6	SSM037M6HQ	4-1589469-2	STM009M6AQ	5-1589487-6
STM051B2Q	0-1589490-8	STM065L84Q	0-1589486-8	SSM037M6SN	3-1589469-3	STM009M6CN	6-1589487-9
STM051B42N	1-1589485-0	STM065L84N	3-1589486-1	SSM051C5N	0-1589461-3	STM009M6DQ	2-1589487-0
STM051B4N	2-1589485-2	STM065L8HN	1-1589486-8	SSM051M5CN	1-1589470-3	STM009M6HN	2-1589487-1
STM051H5	0-1589813-4			SSM051M6N	4-1589469-4	STM009M6IQ	5-1589487-7
STM051L23N	5-1589483-9	Through-Hole		SSM051M6SN	3-1589469-4	STM009M6SN	2-1589487-2
STM051L2AQ	6-1589483-0	SSL005M6SN	0-1589469-6	STL009M5CN	4-1589488-8	STM015C5N	0-1589482-7
STM051L2CN	6-1589483-2	SSL009M5CN	1-1589470-5	STL009M5KN	6-1589488-5	STM015C6N	0-1589481-3
STM051L2HN	6-1589483-3	SSL009M6A	3-1589469-5	STL009M5L	0-1589488-7	STM015M5AN	2-1589488-1
STM051L2HQ	6-1589483-4	SSL009M6CN	3-1589469-9	STL009M6CN	6-1589487-1	STM015M5AQ	7-1589488-1
STM051L2IQ	7-1589483-9	SSL009M6D	0-1589469-7	STL009M6HN	7-1589487-8	STM015M5CN	2-1589488-2
STM051L2JN	6-1589483-5	SSL009M6H	0-1589469-8	STL015C5N	0-1589482-6	STM015M5HN	2-1589488-3
STM051L2Q	6-1589483-6	SSL009M6SN	0-1589469-9	STL015M5CN	0-1589488-8	STM015M5KN	2-1589488-4
STM051L2SN	6-1589483-8	SSL015M5KN	0-1589470-2	STL015M5K	6-1589488-6	STM015M5LN	2-1589488-5
STM051L2TQ	9-1589483-6	SSL015M6A	3-1589469-6	STL015M5SN	5-1589488-1	STM015M5LQ	2-1589488-6
STM051L42HN	6-1589484-3	SSL015M6CN	3-1589469-8	STL015M6CN	0-1589487-6	STM015M5PQ	2-1589488-7
STM051L42KN	6-1589484-4	SSL015M6D	1-1589469-0	STL015M6HN	6-1589487-4	STM015M5SN	6-1589488-7
STM051L42N	6-1589484-5	SSL015M6N	1-1589469-1	STL015M6KN	7-1589487-5	STM015M6AN	2-1589487-3
STM051L44HN	6-1589484-6	SSL015M6SN	4-1589469-5	STL015M6SN	0-1589487-7	STM015M6CN	6-1589487-8
STM051L44KN	6-1589484-7	SSL025M5CN	0-1589470-3	STL025C5N	0-1589482-1	STM015M6DQ	2-1589487-4
STM051L44PQ	6-1589484-8	SSL025M6A	3-1589469-7	STL025C6N	0-1589481-1	STM015M6HN	2-1589487-5
STM051L44Q	6-1589484-9	SSL025M6CN	4-1589469-0	STL025M5	1-1589488-0	STM015M6IQ	5-1589487-8
STM051L4CN	7-1589484-8	SSL025M6D	1-1589469-2	STL025M5CN	1-1589488-1	STM015M6N	2-1589487-6
STM051L4HN	9-1589484-1	SSL025M6DQ	1-1589469-3	STL025M5KN	5-1589488-2	STM015M6S	2-1589487-7
STM051L4KN	7-1589484-0	SSL025M6H	1-1589469-4	STL025M6	0-1589487-9	STM015M6SN	2-1589487-8
STM051L4PQ	7-1589484-1	SSL025M6HN	1-1589469-5	STL025M6D	6-1589487-3	STM015M9AN	0-1589489-1
STM051L4SN	9-1589484-5	SSL025M6SQ	1-1589469-6	STL025M6DQ	1-1589487-0	STM015M9HN	0-1589489-3
STM051L82AQ	3-1589486-9	SSL037M5N	0-1589470-4	STL025M6HN	6-1589487-5	STM025C5N	0-1589482-2
STM051L82HN	2-1589486-0	SSL037M6SN	4-1589469-1	STL025M6KN	7-1589487-6	STM025C5Q	1-1589482-1
STM051L82IQ	1-1589486-5	SSM005M6SN	1-1589469-7	STL025M6N	1-1589487-1	STM025C6N	0-1589481-4
STM051L82LQ	2-1589486-2	SSM009C5Q	0-1589461-1	STL025M6SN	1-1589487-2	STM025M5AQ	6-1589488-4
STM051L84HN	2-1589486-8	SSM009C6Q	0-1589471-1	STL037M5CN	4-1589488-9	STM025M5CN	2-1589488-8
STM051L8HN	1-1589486-0	SSM009M5CN	0-1589470-5	STL037M5LQ	1-1589488-3	STM025M5HN	2-1589488-9
		SSM009M5HN	0-1589470-6			STM025M5LQ	3-1589488-0

Part Number Index Cross Reference (Continued)

Nanonics Part Number	Tyco Part Number	Nanonics Part Number	Tyco Part Number	Nanonics Part Number	Tyco Part Number	Nanonics Part Number	Tyco Part Number
STM025M5PQ	3-1589488-1	STM065M5FN	5-1589488-5	Solder Cup Termination		STM06511500PCN	1-1589053-7
STM025M5SN	3-1589488-2	STM065M5HN	5-1589488-0	SSL00511500PCN	0-1589051-1	STM06511500SCN	1-1589054-2
STM025M6AN	2-1589487-9	STM065M5IQ	7-1589488-2	SSL00511500SCN	0-1589052-1	STM06511500SCQ	1-1589054-6
STM025M6CN	3-1589487-0	STM065M5LQ	4-1589488-6	SSL00911500PC	0-1589051-2	Panel Mount	
STM025M6DQ	3-1589487-1	STM065M5N	4-1589488-7	SSL00911500PCN	0-1589051-3	PSM005SC2DC024N	0-1589851-2
STM025M6HN	3-1589487-2	STM065M5SN	6-1589488-9	SSL00911500SCN	0-1589052-2	PSM009SC2DC060N	0-1589851-1
STM025M6IQ	5-1589487-9	STM065M6	5-1589487-0	SSL01511500PCM	0-1589051-4	PTM009SC2DC060N	0-1589050-7
STM025M6N	3-1589487-3	STM065M6AQ	7-1589487-3	SSL01511500PCN	0-1589051-5	PTM015SC2DC024N	0-1589050-4
STM025M6Q	3-1589487-4	STM065M6CN	5-1589487-1	SSL01511500SCN	0-1589052-3	PTM015SC2DC060N	0-1589050-5
STM025M6SN	3-1589487-5	STM065M6HN	5-1589487-3	SSM00511500PC	1-1589051-4	PTM025SC2DC060N	0-1589050-6
STM025M9AN	0-1589489-2	STM065M6KN	6-1589487-2	SSM00511500PCH	0-1589051-6	PTM037SC2DC018N	0-1589050-3
STM025M9HN	0-1589489-4	STM065M6SN	5-1589487-4	SSM00511500PCN	0-1589051-7	PTM065SC2DC018N	0-1589050-2
STM037C5	0-1589482-9	Flex Term "Duckbill"		SSM00511500SCN	0-1589052-4		
STM037C5N	1-1589482-6	STL00911378PC	0-1589066-3	SSM00911500PC	0-1589051-8		
STM037C5Q	1-1589482-2	STL00911378PCN	0-1589066-4	SSM00911500PCN	0-1589051-9		
STM037C6N	0-1589481-5	STL00911378SCN	0-1589067-1	SSM00911500SCN	1-1589052-1		
STM037C6Q	0-1589481-9	STL01511378PCN	0-1589066-5	SSM01511500PCN	1-1589051-0		
STM037M5AN	3-1589488-3	STL02511378PCN	0-1589066-6	SSM01511500SC	0-1589052-5		
STM037M5AQ	5-1589488-7	STL02511378SNCN	0-1589067-2	SSM01511500SCN	1-1589052-0		
STM037M5CN	3-1589488-4	STL03711378PC	2-1589066-4	SSM02511500SCQ	0-1589052-7		
STM037M5HN	3-1589488-5	STL03711378PCN	0-1589066-7	SSM03711500PC	1-1589051-1		
STM037M5N	3-1589488-6	STL05111378PCN	0-1589066-8	SSM03711500PCN	1-1589051-2		
STM037M5PQ	3-1589488-7	STL05111378SCHN	0-1589067-3	SSM05111500PCN	1-1589051-3		
STM037M5SN	3-1589488-8	STL06511378PC	0-1589066-9	SSM05111500SCN	0-1589052-8		
STM037M6AN	3-1589487-6	STL06511378PCN	1-1589066-0	STL00911500PC	2-1589053-2		
STM037M6AQ	3-1589487-7	STL06511378SCN	0-1589067-4	STL00911500PCN	0-1589053-1		
STM037M6CN	7-1589487-9	STM00911378PCN	1-1589066-1	STL00911500SCN	0-1589054-1		
STM037M6DN	3-1589487-8	STM00911378SCN	0-1589067-6	STL01511500PC	2-1589053-1		
STM037M6DQ	3-1589487-9	STM01511378PCN	2-1589066-3	STL01511500PCN	0-1589053-2		
STM037M6HN	4-1589487-0	STM02511378PC	1-1589066-2	STL01511500SCN	0-1589054-2		
STM037M6IQ	6-1589487-0	STM02511378PCN	1-1589066-3	STL02511500PC	0-1589053-3		
STM037M6SN	4-1589487-1	STM02511378SNCN	0-1589067-8	STL02511500PCN	0-1589053-4		
STM037M6SQ	4-1589487-2	STM03711378PCN	1-1589066-4	STL02511500SC	0-1589054-3		
STM051C5	1-1589482-0	STM03711378PCQ	1-1589066-5	STL03711500PCN	0-1589053-5		
STM051C5N	0-1589482-3	STM03711378SCN	1-1589067-2	STL03711500SCN	0-1589054-4		
STM051C5Q	0-1589482-4	STM05111378PC	1-1589066-6	STL05111500PCN	0-1589053-6		
STM051C6N	0-1589481-6	STM05111378PCN	1-1589066-7	STL06511500PCN	1-1589053-8		
STM051M5AQ	3-1589488-9	STM05111378PCM	1-1589066-7	STM00911500PCN	0-1589053-7		
STM051M5CN	4-1589488-0	STM05111378PCN	1-1589066-8	STM00911500SCN	0-1589054-5		
STM051M5DQ	4-1589488-1	STM05111378PCQ	1-1589066-9	STM01511500PCN	0-1589053-8		
STM051M5LQ	4-1589488-2	STM05111378SNCN	0-1589067-9	STM01511500PCQ	0-1589053-9		
STM051M5PQ	4-1589488-3	STM06511378PC	2-1589066-2	STM01511500SCHN	0-1589054-6		
STM051M5SN	6-1589488-8	STM06511378PCN	2-1589066-0	STM01511500SCN	0-1589054-7		
STM051M6CN	4-1589487-3	STM06511378PCQ	2-1589066-1	STM01511500SCQ	1-1589054-4		
STM051M6DQ	4-1589487-4	STM06511378SNCN	1-1589067-0	STM02511500PC	1-1589053-0		
STM051M6HN	4-1589487-5			STM02511500PCN	1-1589053-1		
STM051M6N	7-1589487-2			STM02511500PCQ	2-1589053-3		
STM051M6PQ	4-1589487-6			STM02511500SC	0-1589054-8		
STM051M6SN	4-1589487-7			STM02511500SCN	0-1589054-9		
STM051M6SQ	4-1589487-8			STM03711500PCN	1-1589053-2		
STM065C5M	0-1589482-8			STM03711500PCQ	1-1589053-3		
STM065C5N	1-1589482-4			STM03711500SCN	1-1589054-0		
STM065C5Q	0-1589482-5			STM05111500PCN	1-1589053-4		
STM065C6	0-1589481-7			STM05111500PCQ	1-1589053-5		
STM065C6N	0-1589481-8			STM05111500SCN	1-1589054-1		
STM065M5AQ	7-1589488-0			STM05111500SCQ	1-1589054-5		
STM065M5CN	4-1589488-4			STM06511500PC	1-1589053-6		

Environmentally Sealed Circular Connectors



NANONICS Circular Connectors 6

Nanonics environmentally sealed circular offering represents one of the industry's smallest and most reliable connector designs. These connectors are ideally suited for applications where high density and reliability, and reduced size and weight are serious design parameters. Along with these attributes, they also meet the immersion requirements of IP67, more specifically, one meter of water for two hours. Utilizing the same contact

system and materials as the Dualobe® rectangular series of connectors, the circular connectors are manufactured to the performance specifications of MIL-DTL-83513.

The plug connectors are offered in both a quick disconnect or threaded coupling configuration, and the receptacle connectors are offered in either a flush mount or panel mount configuration. The quick disconnect plug will mate with both the flush and panel

mount receptacles, while the threaded coupling plug will only mate with the panel mount receptacle. These connectors are available in pin counts of 7, 19, and 44. Optional backshells are also available for the plug connectors and the panel mount receptacle. Ideal for cable-to-cable or cable-to-panel applications, Tyco Electronics can also accommodate harness assemblies and custom configurations.

Specifications

Technical and Performance Data

Electrical

Contact Resistance – .003 - .008 ohms

Current Rating – 1 amp max. per contact

Dielectric Withstanding Voltage – Volts RMS 60 Hz at room ambient conditions. At sea level 500V. At 70,000 ft. 150V.

Insulation Resistance – 5000 megohms min. (@ 500 VDC) at room ambient conditions.

Magnetic Permeability – 2 mu max.

Temperature Range — -55°C to +200°C

Durability – 250 mates/demates

Jam Nut Torque–

7 Pos. - 6 in-lbs. max.

19 Pos. - 8 in-lbs. max.

44 Pos. - 10 in-lbs. max.

Coupling Nut Torque –

7 Pos. - 6 in-lbs. max.

19 Pos. - 8 in-lbs. max.

44 Pos. - 10 in-lbs. max.

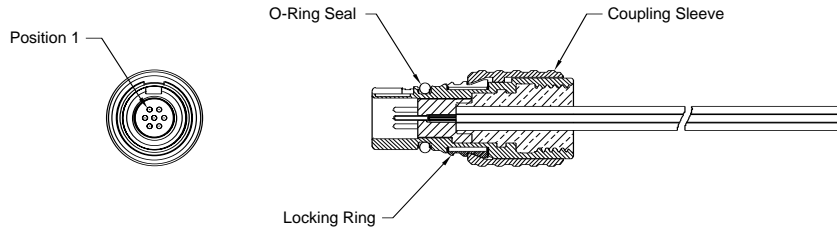
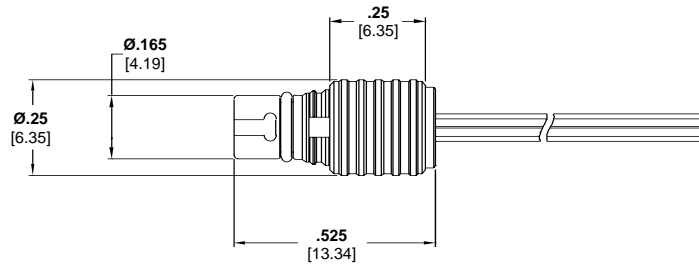
Quick Disconnect — Plug Assemblies



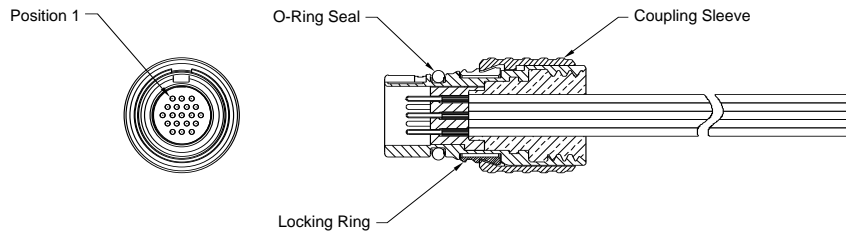
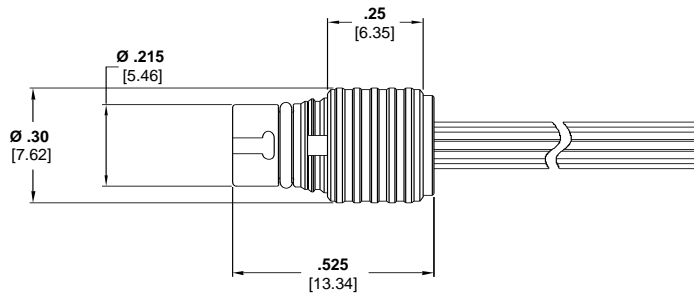
19 Position

Product Facts

- Metal Shell
- Positions: 7, 19 and 44
- Environmental O-ring seal
- Push-Pull quick-disconnect coupling
- Factory wired to your specifications
- Contact Tyco Electronics for custom configurations

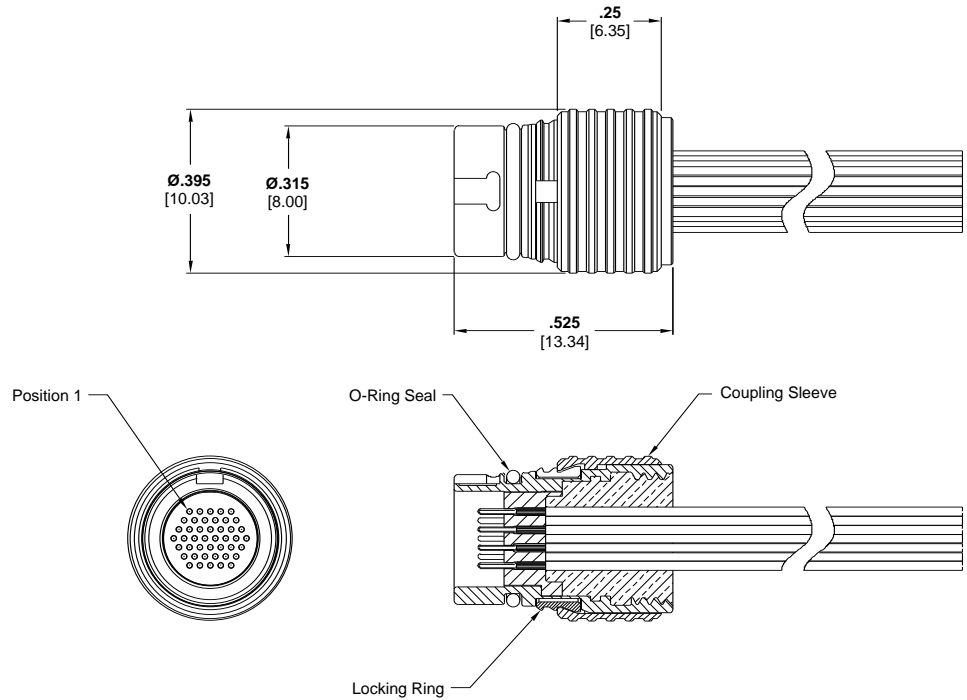


7 Position
Drawing Number 1589055



19 Position
Drawing Number 1589057

Quick Disconnect — Plug Assemblies (Continued)



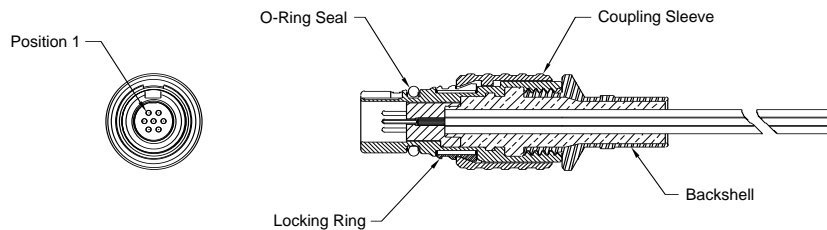
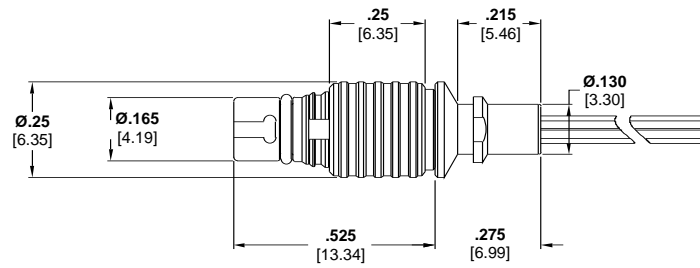
44 Position
Drawing Number 1589059

NANONICS Circular Connectors 6

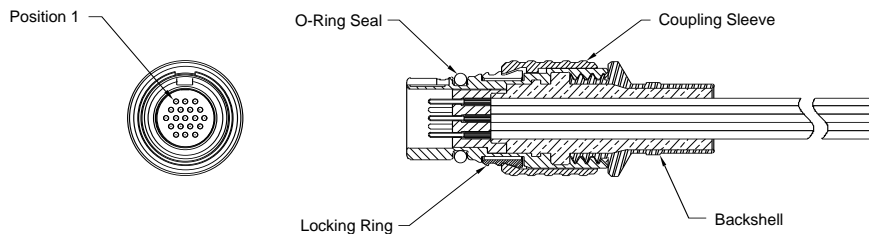
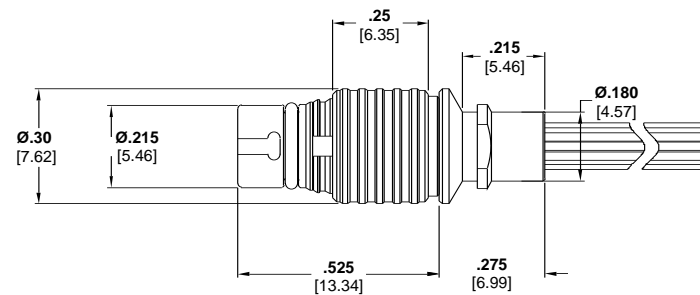
Quick Disconnect — Plug Assemblies with Backshells

Product Facts

- Metal Shell
- Positions: 7, 19 and 44
- Environmental O-ring seal
- Factory wired to your specifications
- Backshell installed at factory
- Contact Tyco Electronics for custom configurations

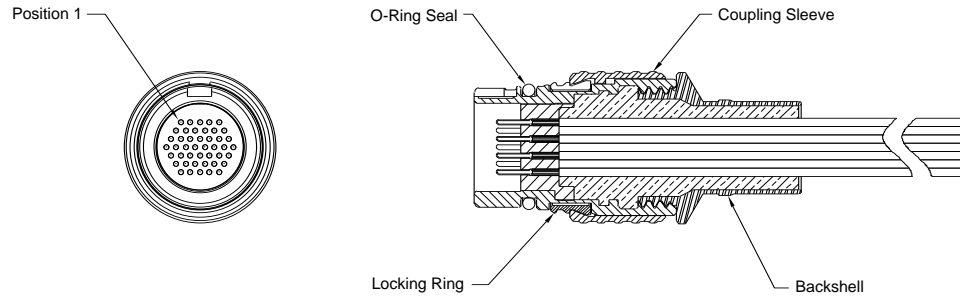
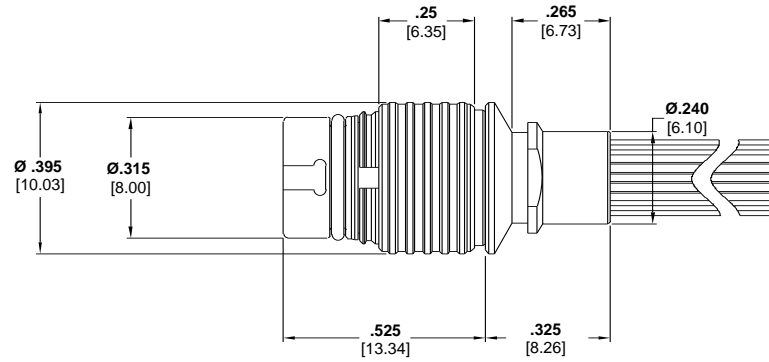


7 Position
Drawing Number 1589691



19 Position
Drawing Number 1589692

Quick Disconnect — Plug Assemblies with Backshells (Continued)



44 Position
Drawing Number 1589693

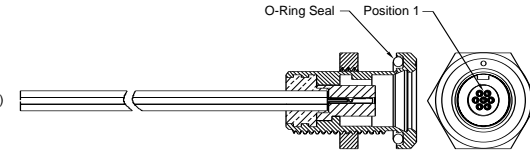
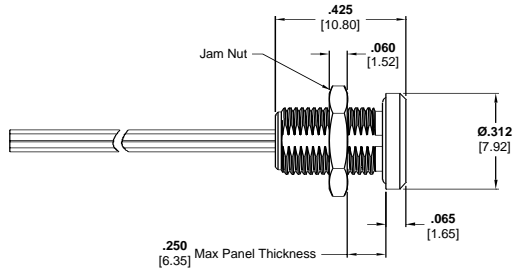
Quick Disconnect — Receptacle Assemblies, Flush Mount



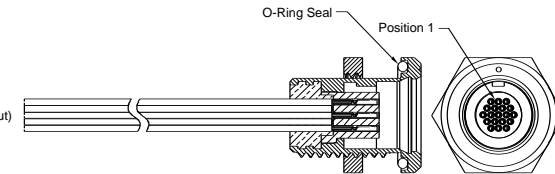
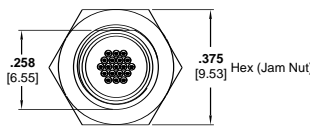
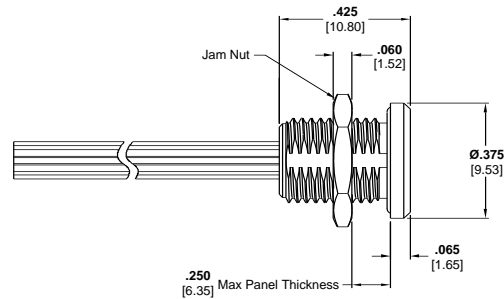
19 Position

Product Facts

- Metal Shell
- Positions: 7, 19 and 44
- Bulkhead O-ring seal
- Factory wired to your specifications
- Contact Tyco Electronics for custom configurations

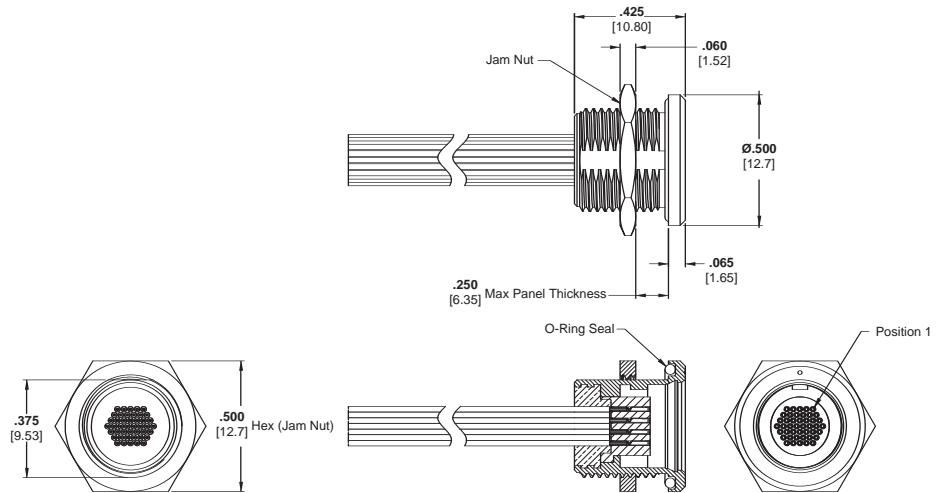


7 Position
Drawing Number 1589056



19 Position
Drawing Number 1589058

Quick Disconnect — Receptacle Assemblies, Flush Mount (Continued)



44 Position
Drawing Number 1589690

NANONICS Circular Connectors

6

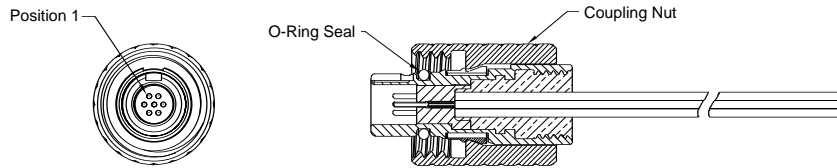
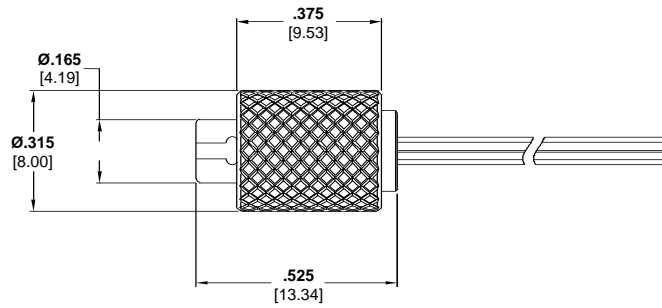
Threaded Coupling — Plug Assemblies



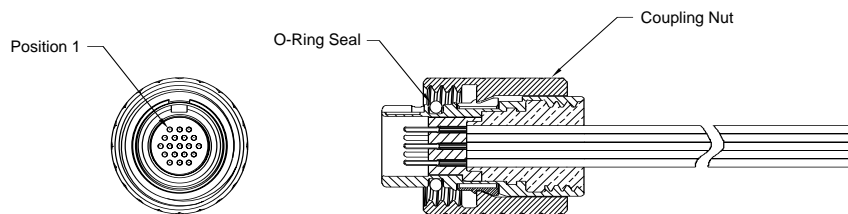
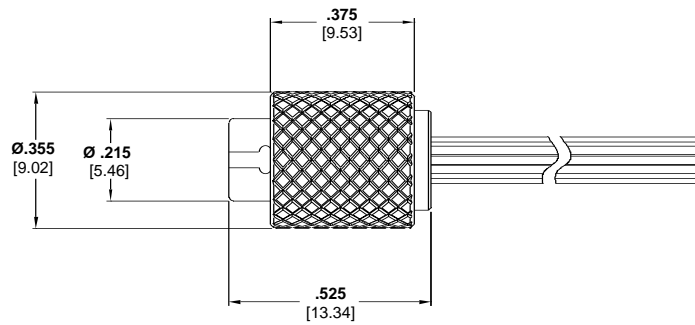
19 Position

Product Facts

- Metal Shell
- Positions: 7, 19 and 44
- Environmental O-ring seal
- Factory wired to your specifications
- Contact Tyco Electronics for custom configurations

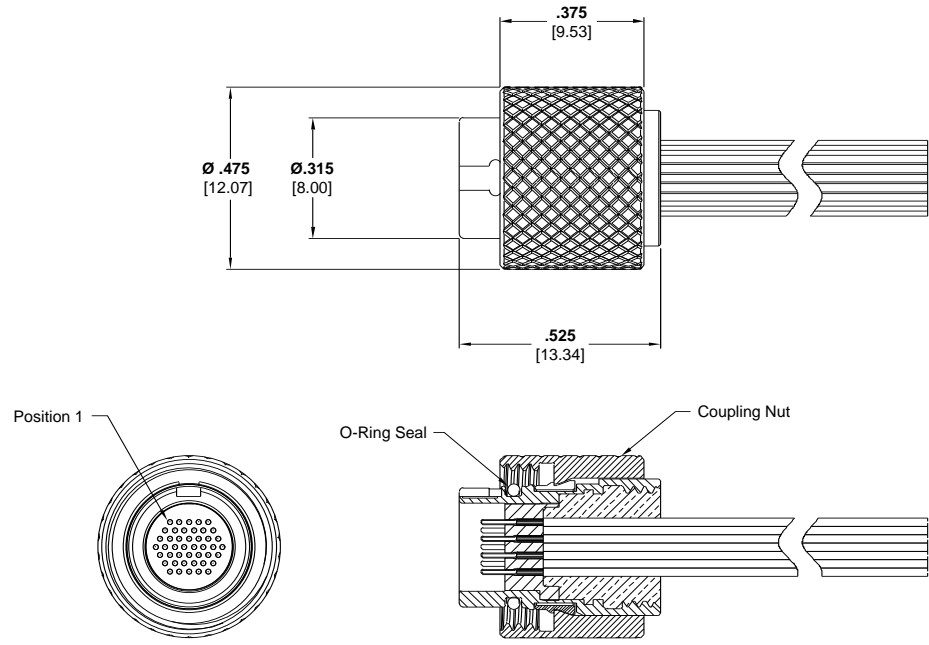


7 Position
Drawing Number 1589063



19 Position
Drawing Number 1589064

Threaded Coupling — Plug Assemblies (Continued)

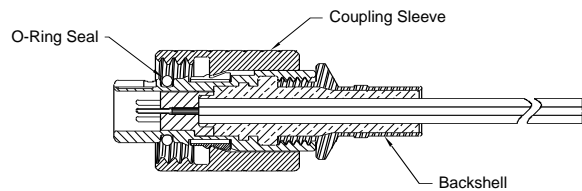
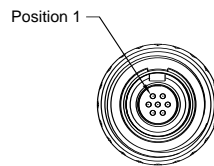
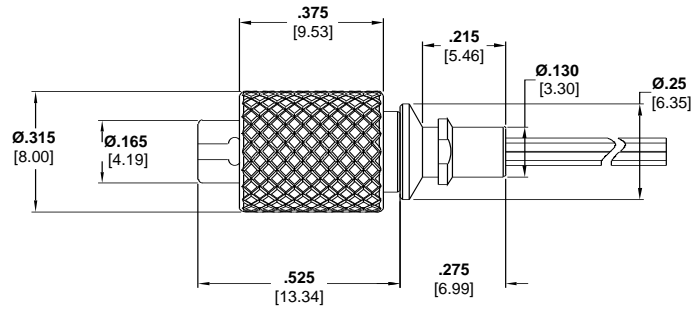


44 Position
Drawing Number 1589065

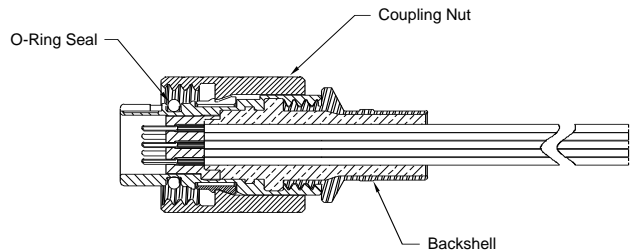
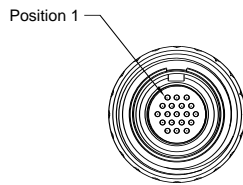
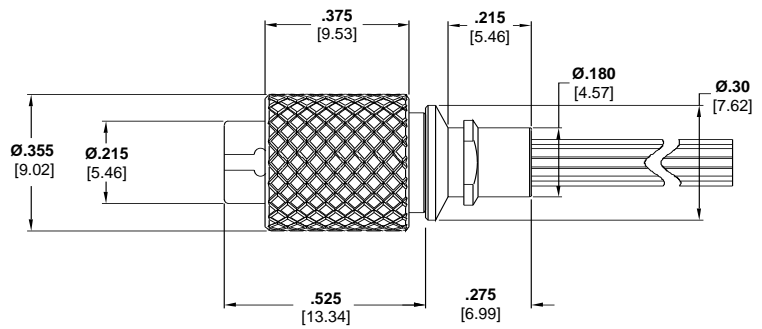
Threaded Coupling — Plug Assemblies with Backshells

Product Facts

- Metal Shell
- Positions: 7, 19 and 44
- Environmental O-ring seal
- Factory wired to your specifications
- Backshell installed at factory
- Contact Tyco Electronics for custom configurations

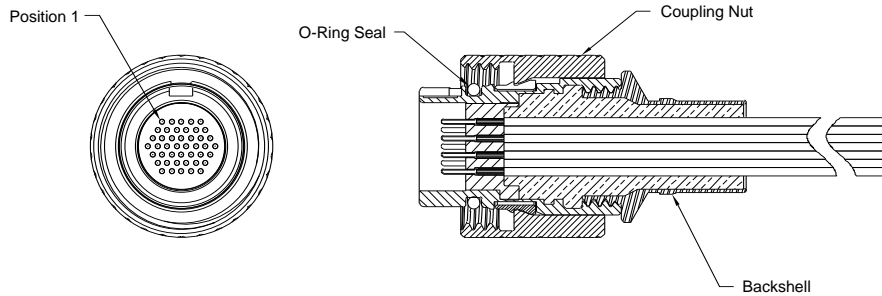
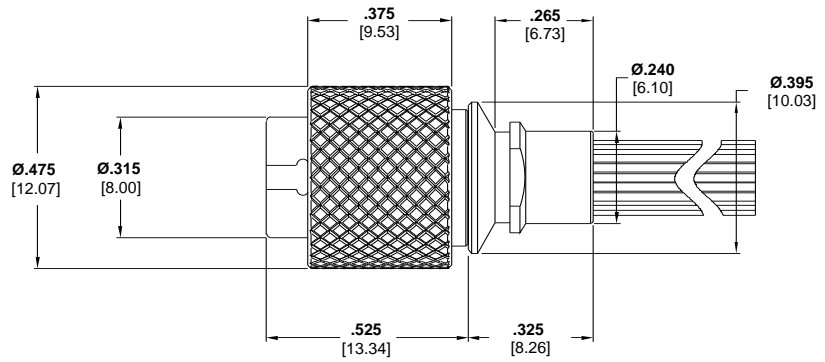


7 Position
Drawing Number 1589686



19 Position
Drawing Number 1589688

Threaded Coupling — Plug Assemblies with Backshells (Continued)

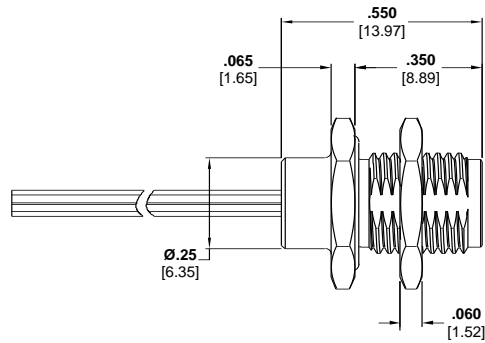


44 Position
Drawing Number 1589694

Threaded Coupling/Quick Disconnect — Receptacle Assemblies, Panel Mount

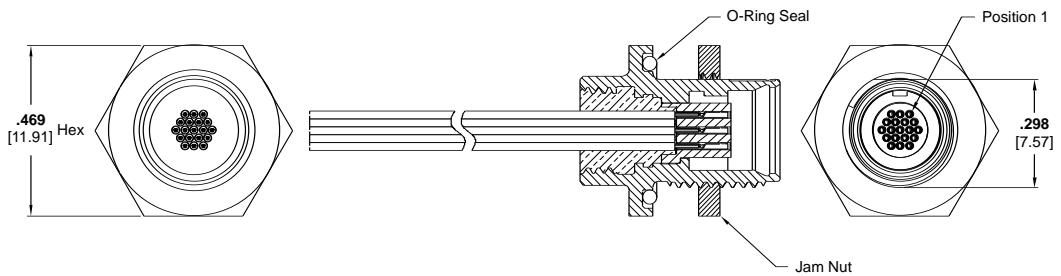
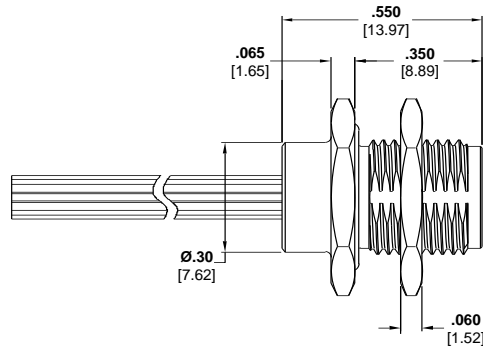
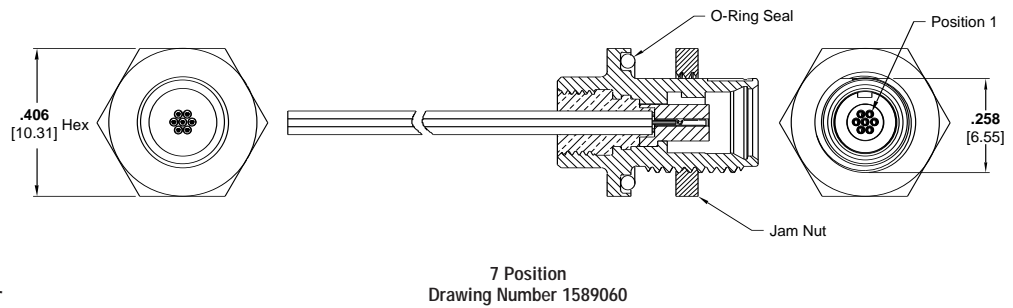


19 Position

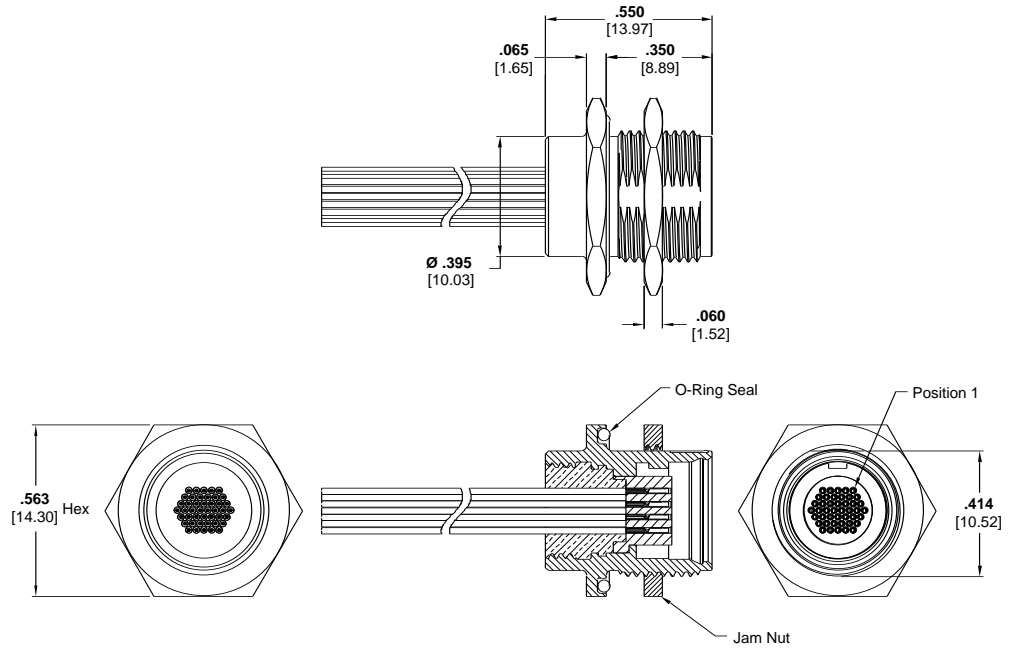


Product Facts

- Metal Shell
- Positions: 7, 19 and 44
- Bulkhead O-ring seal
- Factory wired to your specifications
- Panel Mount receptacle mates with the Quick Disconnect Plug and the Threaded Coupling Plug
- Contact Tyco Electronics for custom configurations



Threaded Coupling/Quick Disconnect — Receptacle Assemblies, Panel Mount (Continued)

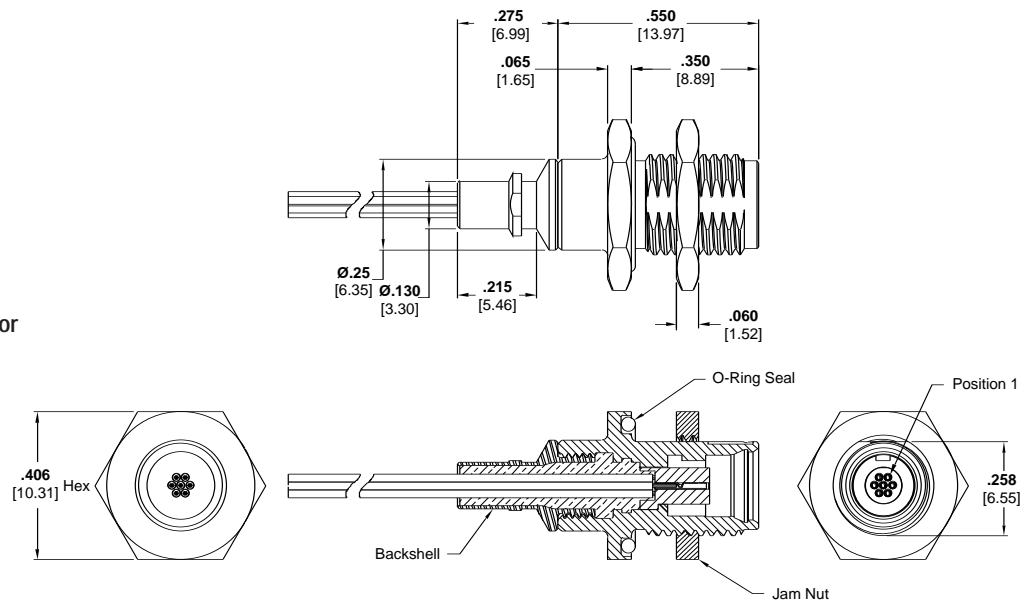


44 Position
Drawing Number 1589062

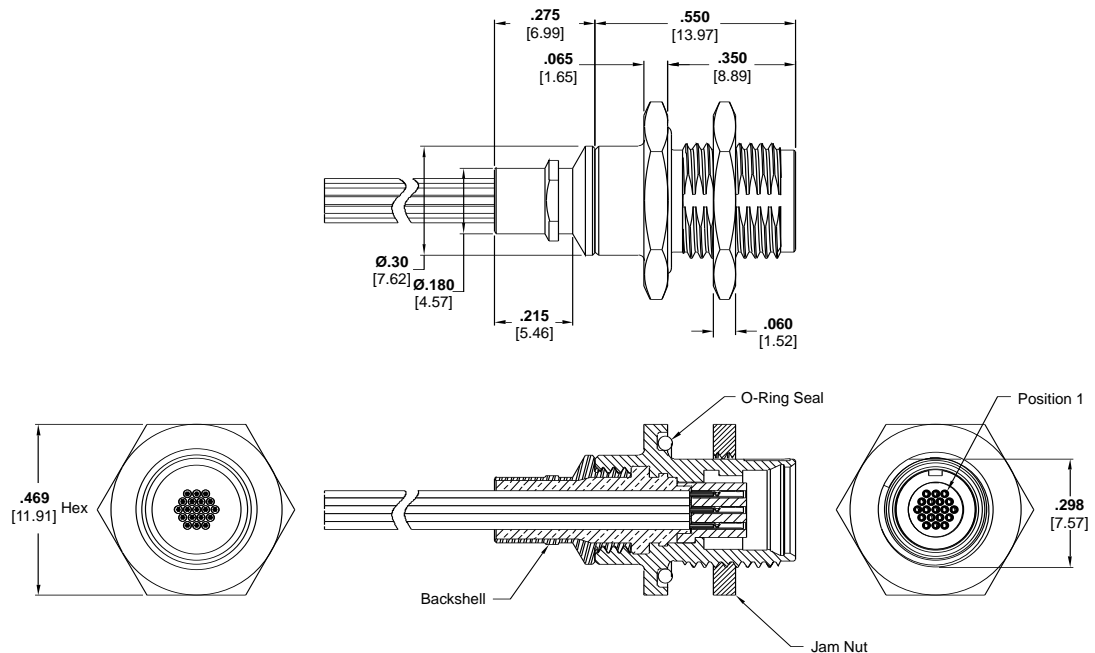
NANONICS Circular
 Connectors
 6

Product Facts

- Metal Shell
- Positions: 7, 19 and 44
- Bulkhead O-ring seal
- Factory wired to your specifications
- Panel Mount receptacle mates with the Quick Disconnect Plug and the Threaded Coupling Plug
- Contact Tyco Electronics for custom configurations

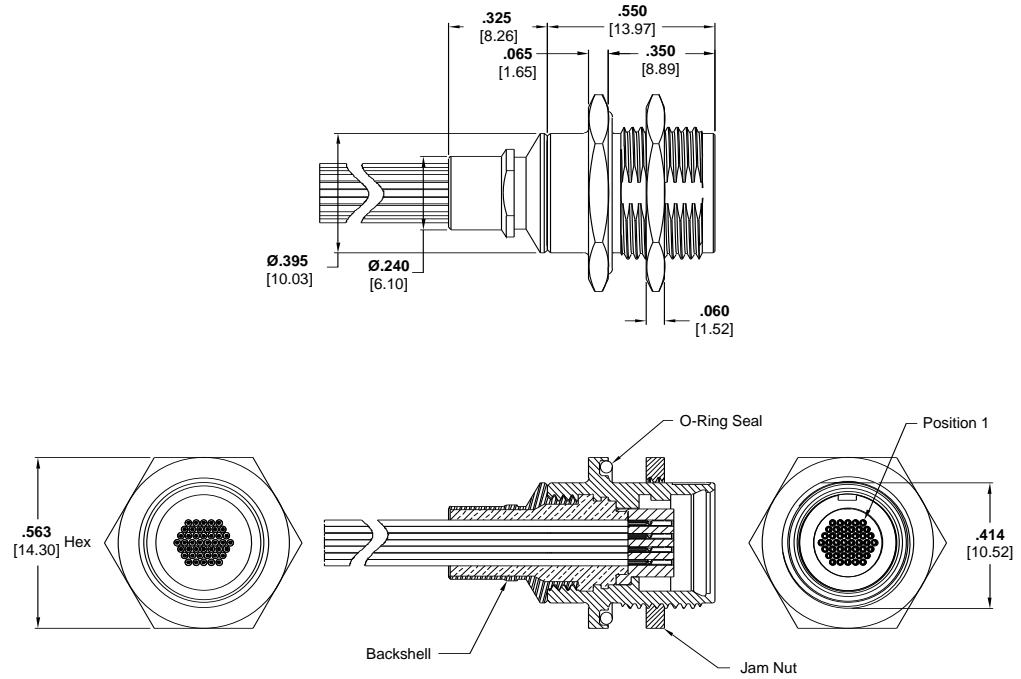


Receptacle Assembly 7 Position
Drawing Number 1589685



Receptacle Assembly 19 Position
Drawing Number 1589687

Threaded Coupling/Quick Disconnect — Panel Mount Recp. Assemblies w/Backshells (Continued)

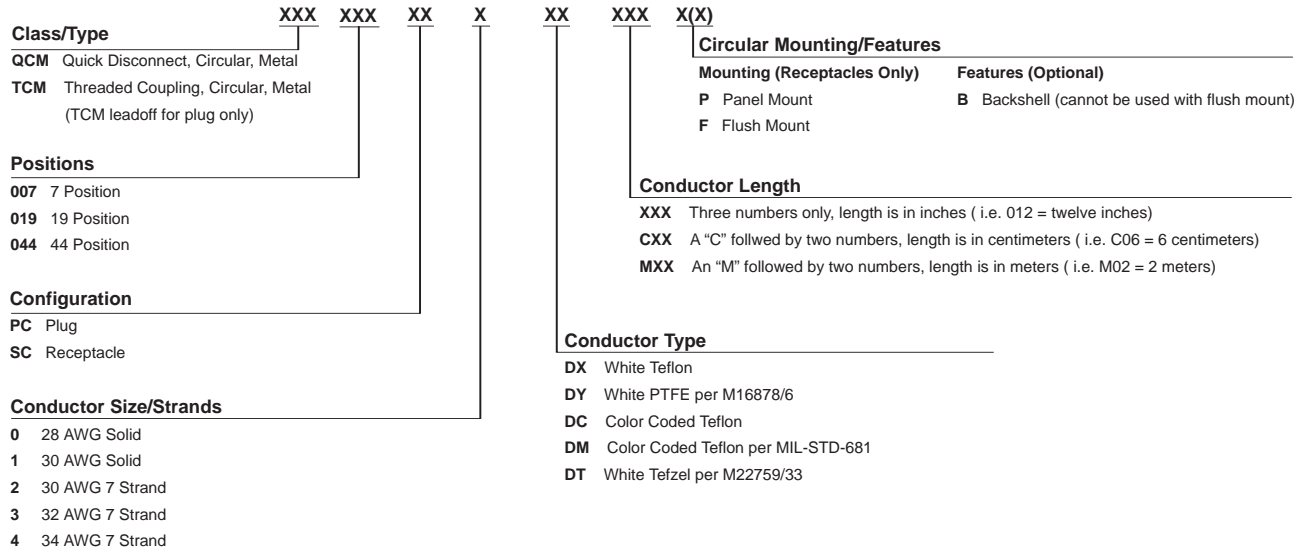


Receptacle Assembly 44 Position
Drawing Number 1589695

NANONICS Circular Connectors

6

Circular Connectors - Wire Terminations



Part Number Index Cross Reference

Nanonics Part Number	Tyco Part Number
Quick Disconnect	
QCM007PC2DC003	0-1589055-1
QCM007PC2DC006	0-1589055-2
QCM007PC2DC006B	0-1589691-5
QCM007PC2DC012	0-1589055-3
QCM007PC2DC012B	0-1589691-1
QCM007PC2DC018B	0-1589691-2
QCM007PC2DC020	0-1589055-6
QCM007PC2DC020B	0-1589691-9
QCM007PC2DC028	1-1589055-3
QCM007PC2DC036B	0-1589691-3
QCM007PC2DC040	0-1589055-8
QCM007PC2DC072	0-1589055-9
QCM007PC2DCC20B	0-1589691-6
QCM007PC2DCC30	1-1589055-0
QCM007PC2DCC50B	1-1589691-0
QCM007PC2DCM01	1-1589055-4
QCM007PC2DCM02	1-1589055-8
QCM007PC2DCM03	1-1589055-5
QCM007PC2DMC150	1-1589055-6
QCM007PC2DMC150B	0-1589691-7
QCM007PC2DMC46	1-1589055-1
QCM007PC2DMC50	1-1589055-7
QCM007PC2DMC50B	0-1589691-8
QCM007PC2DX006B	0-1589691-4
QCM007SC2DC003P	0-1589060-1
QCM007SC2DC004P	0-1589060-2
QCM007SC2DC006F	0-1589056-1
QCM007SC2DC006P	0-1589060-3
QCM007SC2DC012P	0-1589060-4
QCM007SC2DC012PB	0-1589685-2
QCM007SC2DC018PB	0-1589685-3
QCM007SC2DC020F	0-1589056-2
QCM007SC2DC020P	1-1589060-1
QCM007SC2DC036P	0-1589060-7
QCM007SC2DC036PB	0-1589685-4
QCM007SC2DCC15F	0-1589056-9
QCM007SC2DCC15P	1-1589060-4
QCM007SC2DCC20F	0-1589056-7
QCM007SC2DCC30F	0-1589056-3
QCM007SC2DCC30P	0-1589060-9
QCM007SC2DM003P	1-1589060-0
QCM007SC2DM006PB	0-1589685-5
QCM007SC2DM050PB	0-1589685-1
QCM007SC2DMC05F	0-1589056-8
QCM007SC2DMC16F	0-1589056-4
QCM007SC2DMC46F	0-1589056-5
QCM007SC2DX006F	0-1589056-6
QCM007SC2DYC15P	1-1589060-2
QCM007SC2DYM02P	1-1589060-5
QCM007SC2DYM1.5P	1-1589060-3
QCM019PC0DC012	0-1589057-1
QCM019PC0DM072B	0-1589692-1
QCM019PC2DC003	0-1589057-3
QCM019PC2DC006	0-1589057-4
QCM019PC2DC006B	0-1589692-3
QCM019PC2DC012	0-1589057-5
QCM019PC2DC020	0-1589057-6
QCM019PC2DC020B	0-1589692-5
QCM019PC2DC120B	0-1589692-2

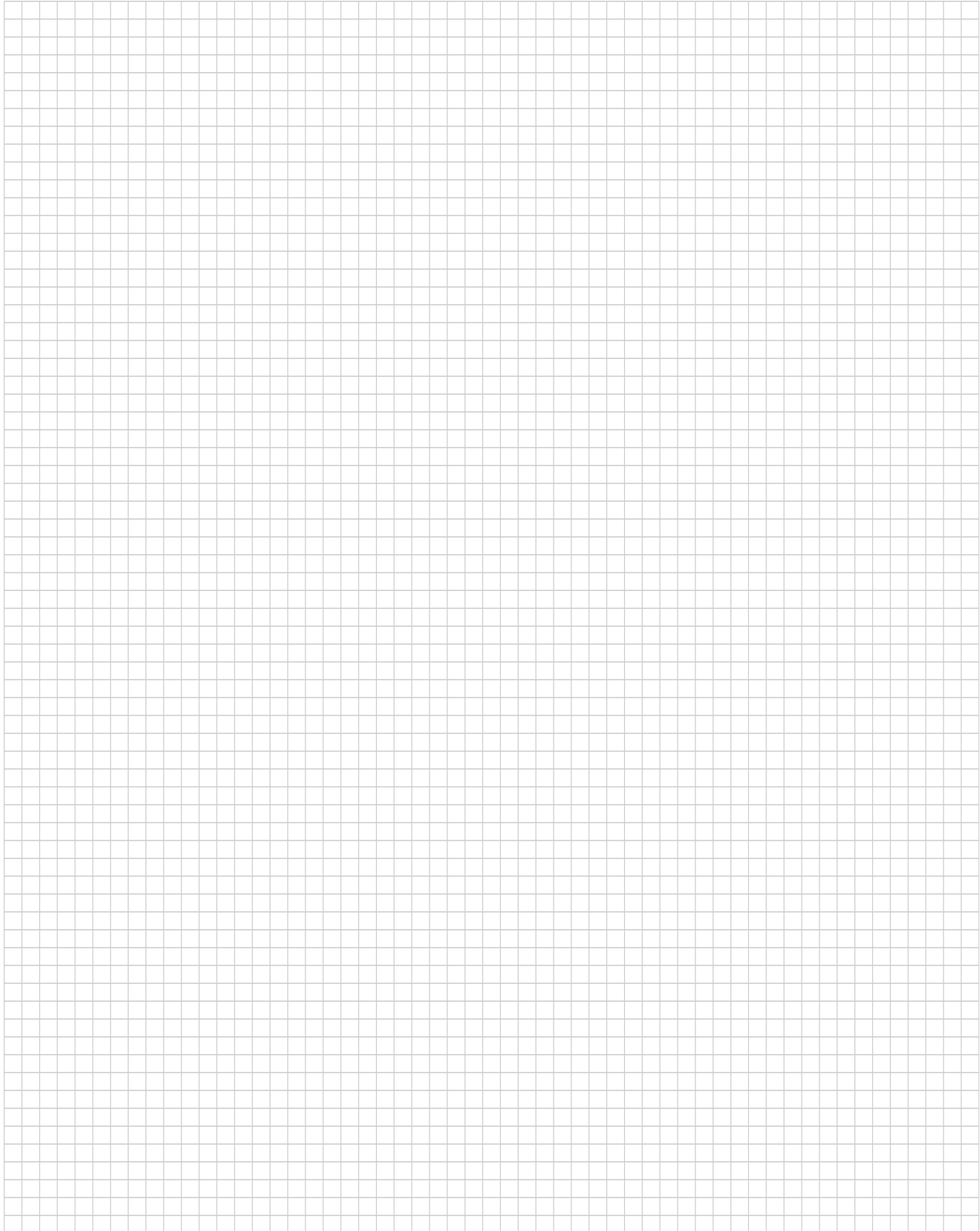
Nanonics Part Number	Tyco Part Number
QCM019PC2DCC10	1-1589057-1
QCM019PC2DMC150	1-1589057-2
QCM019PC2DMC150B	0-1589692-4
QCM019PC2DMC46	0-1589057-8
QCM019PC2DMM01	1-1589057-0
QCM019PC2DXC30	0-1589057-9
QCM019SC0DC012F	0-1589058-1
QCM019SC0DC036P	1-1589061-4
QCM019SC0DC15P	0-1589061-1
QCM019SC0DM012F	1-1589058-7
QCM019SC0DM072F	0-1589058-2
QCM019SC0DMC30P	1-1589061-2
QCM019SC0DXC15P	0-1589061-2
QCM019SC2DC003F	1-1589058-8
QCM019SC2DC003P	0-1589061-3
QCM019SC2DC006F	0-1589058-3
QCM019SC2DC006P	0-1589061-4
QCM019SC2DC012F	1-1589058-6
QCM019SC2DC012P	0-1589061-5
QCM019SC2DC018F	0-1589058-4
QCM019SC2DC020F	0-1589058-5
QCM019SC2DC020P	0-1589061-6
QCM019SC2DC024P	1-1589061-5
QCM019SC2DC036P	0-1589061-7
QCM019SC2DC180F	1-1589058-4
QCM019SC2DCC30P	0-1589061-8
QCM019SC2DM006PB	0-1589687-2
QCM019SC2DM024P	1-1589061-6
QCM019SC2DM027PB	0-1589687-1
QCM019SC2DM036P	1-1589061-0
QCM019SC2DMC05F	1-1589058-5
QCM019SC2DMC16F	0-1589058-6
QCM019SC2DMC30P	1-1589061-3
QCM019SC2DMC46F	0-1589058-7
QCM019SC2DXC30F	0-1589058-8
QCM019SC2DXC30P	0-1589061-9
QCM019SC4DX006P	1-1589061-1
QCM044PC2DC003	0-1589059-1
QCM044PC2DC006	0-1589059-2
QCM044PC2DC006B	0-1589693-1
QCM044PC2DC012	0-1589059-4
QCM044PC2DC012B	0-1589693-2
QCM044PC2DC020	0-1589059-6
QCM044PC2DC030	0-1589059-7
QCM044PC2DC036	1-1589059-1
QCM044PC2DC040	1-1589059-2
QCM044PC2DC050	1-1589059-0
QCM044PC2DC060B	0-1589693-3
QCM044PC2DC120B	0-1589693-4
QCM044PC2DC180B	0-1589693-5
QCM044SC0DM036P	1-1589062-3
QCM044SC0DM048P	1-1589062-4
QCM044SC0DM060P	1-1589062-5
QCM044SC2DC003P	0-1589062-1
QCM044SC2DC006F	0-1589690-3
QCM044SC2DC006P	0-1589062-2
QCM044SC2DC012F	0-1589690-4
QCM044SC2DC012P	0-1589062-3
QCM044SC2DC018F	0-1589690-5
QCM044SC2DC018P	0-1589062-8

Nanonics Part Number	Tyco Part Number
QCM044SC2DC019PB	0-1589695-1
QCM044SC2DC020F	0-1589690-1
QCM044SC2DC020P	1-1589062-2
QCM044SC2DC024F	0-1589690-8
QCM044SC2DC024P	1-1589062-6
QCM044SC2DC036P	0-1589062-5
QCM044SC2DC060F	0-1589690-6
QCM044SC2DC080P	1-1589062-1
QCM044SC2DC180F	0-1589690-2
QCM044SC2DM036P	0-1589062-9
QCM044SC2DM120P	1-1589062-0
QCM044SC2DMC16P	0-1589062-6
QCM044SC2DMC46P	0-1589062-7
QCM044SC2DMC50P	1-1589062-7
QCM044SC3DC012F	0-1589690-7

Threaded Coupling

TCM007PC2DC003	0-1589063-1
TCM007PC2DC006	0-1589063-2
TCM007PC2DC006B	0-1589686-2
TCM007PC2DC012	0-1589063-4
TCM007PC2DC012B	0-1589686-3
TCM007PC2DC018B	0-1589686-4
TCM007PC2DC020	0-1589063-9
TCM007PC2DC036	0-1589063-7
TCM007PC2DCM02	1-1589063-0
TCM007PC2DM003	0-1589063-8
TCM007PC2DM006B	0-1589686-1
TCM007PC2DYC10B	0-1589686-5
TCM007PC2DYM01B	0-1589686-6
TCM019PC0DC036	1-1589064-5
TCM019PC0DC10	0-1589064-1
TCM019PC0DXC10	0-1589064-2
TCM019PC2DC003	0-1589064-3
TCM019PC2DC006	0-1589064-4
TCM019PC2DC006B	0-1589688-2
TCM019PC2DC012	0-1589064-6
TCM019PC2DC012B	0-1589688-3
TCM019PC2DC020	1-1589064-4
TCM019PC2DC024	0-1589064-8
TCM019PC2DC036	0-1589064-9
TCM019PC2DC060B	0-1589688-4
TCM019PC2DC066	1-1589064-1
TCM019PC2DCC30	1-1589064-2
TCM019PC2DM006B	0-1589688-1
TCM019PC2DM024	1-1589064-6
TCM019PC2DM036	1-1589064-3
TCM044PC0DM036	1-1589065-3
TCM044PC0DM048	1-1589065-4
TCM044PC0DM060	1-1589065-5
TCM044PC2DC003	0-1589065-1
TCM044PC2DC006	0-1589065-2
TCM044PC2DC006B	0-1589694-1
TCM044PC2DC012	0-1589065-4
TCM044PC2DC012B	0-1589694-2
TCM044PC2DC018B	0-1589694-3
TCM044PC2DC019B	0-1589694-4
TCM044PC2DC020	1-1589065-2
TCM044PC2DC020B	0-1589694-8
TCM044PC2DC024	1-1589065-7

TCM044PC2DC036	0-1589065-8
TCM044PC2DC036B	0-1589694-5
TCM044PC2DC020B	0-1589694-7
TCM044PC2DM036	1-1589065-1
TCM044PC2DM120	1-1589065-6
TCM044PC2DM120B	0-1589694-6
TCM044PC2DMC46	1-1589065-0



Coaxial Connectors



The Nanonics 50 ohm coaxial connector system combines the benefits of the rectangular DUALOBE connectors while offering the flexibility to terminate up to nine coaxial contacts within the same metal connector housing. Furthermore, with this unique design, five signal contacts, terminated

with 30 AWG or smaller discrete wire, can also be integrated into this connector package. These connectors are typically used in applications with frequencies up to 20 GHz.

RG-178 coaxial cable is the standard cable used on these connectors. The

receptacle coax connector is also available in a horizontal surface mount configuration allowing for wire to board applications. Harness assemblies and custom configurations can also be accommodated.

NANONICS Coaxial Connectors

7

Specifications

Technical and Performance Data

Electrical

Contact Resistance – .003 - .008 ohms

Current Rating – 1 amp max. per contact

Dielectric Withstanding Voltage – Volts RMS 60 Hz at room ambient conditions. At sea level 500V. At 70,000 ft. 150V.

Insulation Resistance – 5000 megohms min. (@ 500 VDC) at room ambient conditions.

Magnetic Permeability – 2 mu max.

Temperature Range — -55° C to +125° C

Outer Coaxial Contacts – BeCu Alloy plated with gold per MIL-G-45204 over nickel

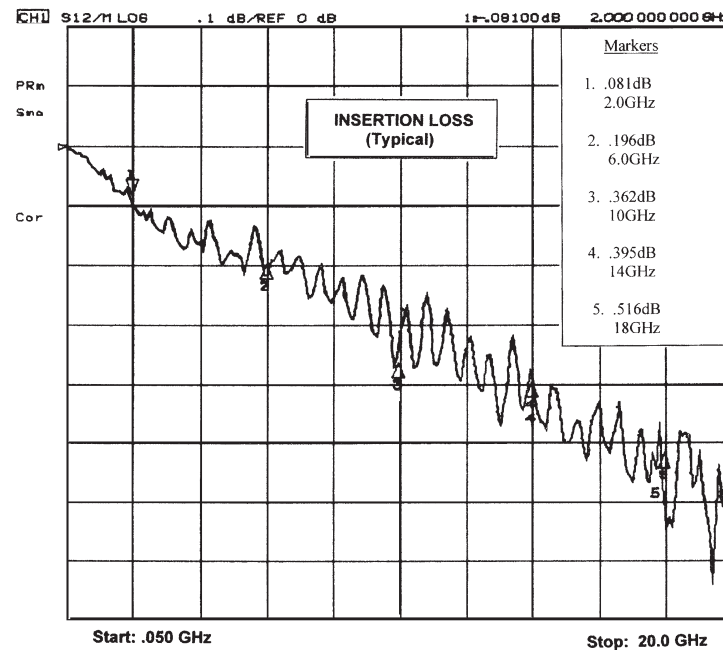
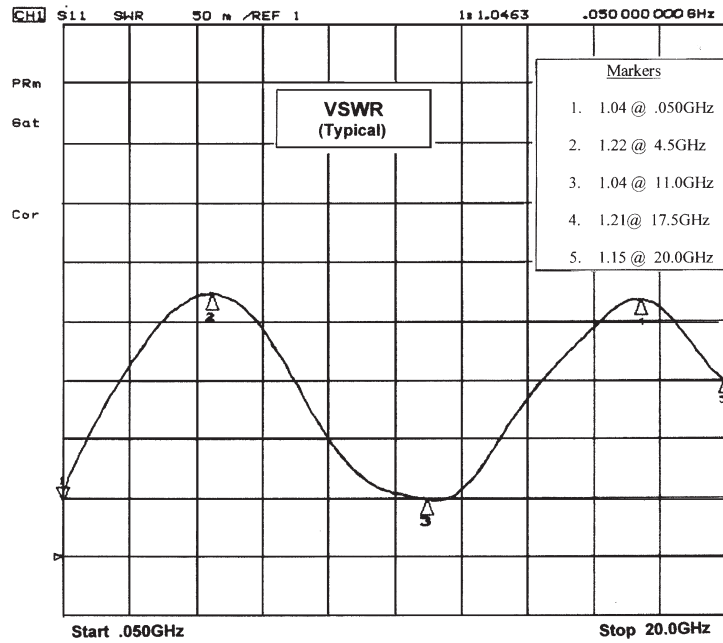
Dielectric Insert – Teflon

Braid Termination – Soldered to outer coaxial contacts with SN63P637 solder

Backpotting – Standard for wire terminations

Typical VSWR and Insertion Loss

Note: Insertion Loss of 30 AWG Coax Cable @ (50 Ohm) is approximately 1.0db/ft. @ 3 GHz. The connector system with 6" of coax on each side, is better than 1.5db @ 3 GHz.



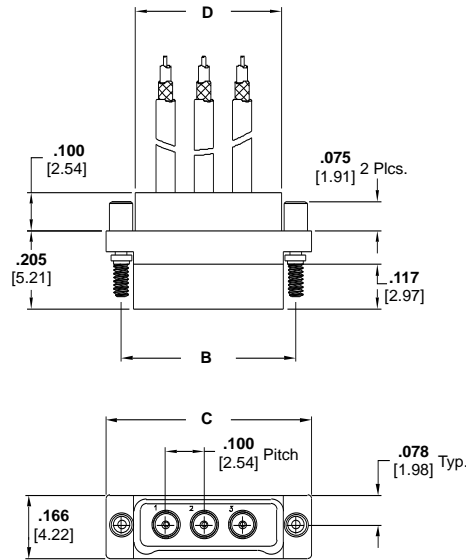
50 Ohm Coax Connectors



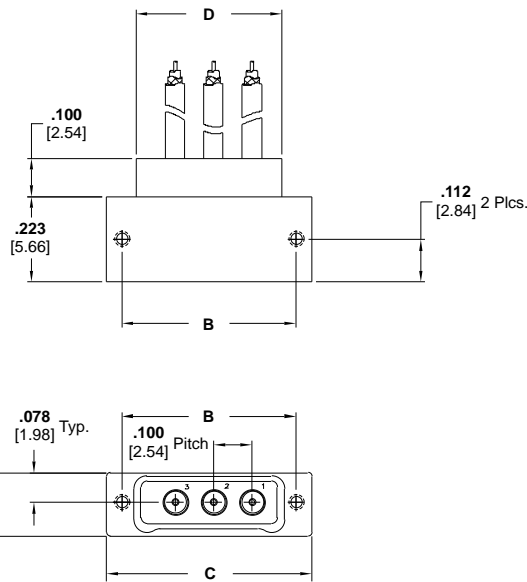
Plug



Receptacle



Plug Assembly
Drawing Number 1589070



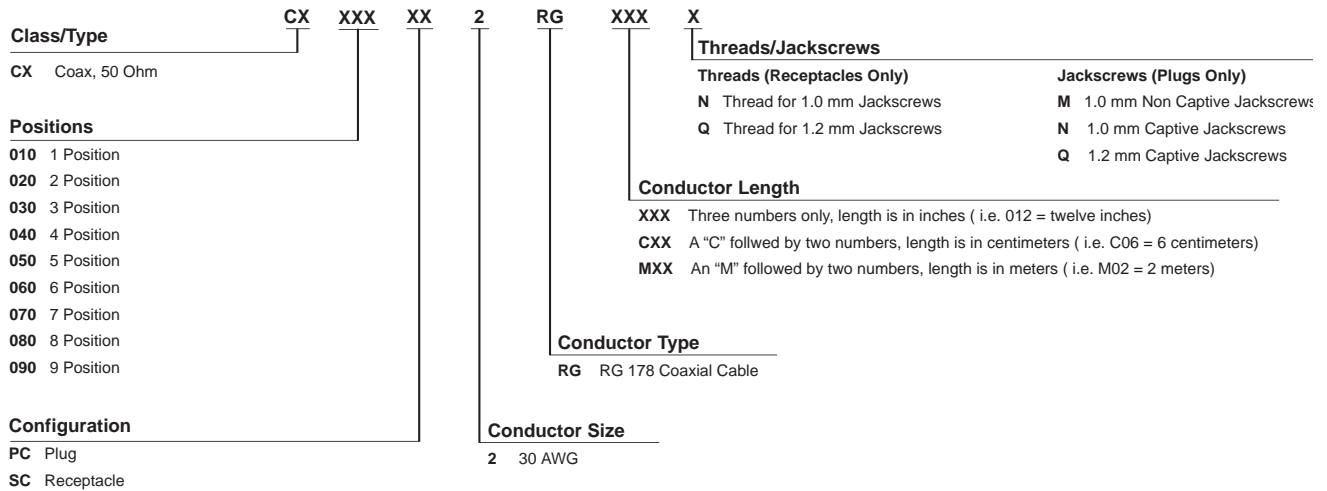
Receptacle Assembly
Drawing Number 1589071

Product Facts

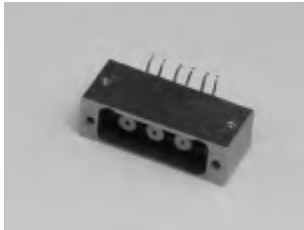
- Metal Shell
- Standard Sizes: 1-9
- Factory wired to your specifications
- Contact Tyco Electronics for custom configurations

Size	Dimensions			No. Coax
	B	C	D	
1	0.254 [6.45]	0.335 [8.51]	0.180 [4.57]	1
2	0.354 [8.99]	0.435 [11.05]	0.280 [7.11]	2
3	0.454 [11.53]	0.535 [13.59]	0.380 [9.65]	3
4	0.554 [14.07]	0.635 [16.13]	0.480 [12.19]	4
5	0.654 [16.61]	0.735 [18.67]	0.580 [14.73]	5
6	0.754 [19.15]	0.835 [21.21]	0.680 [17.27]	6
7	0.854 [21.69]	0.935 [23.75]	0.780 [19.81]	7
8	0.954 [24.23]	1.035 [26.29]	0.880 [22.35]	8
9	1.054 [26.77]	1.135 [28.83]	0.980 [24.89]	9

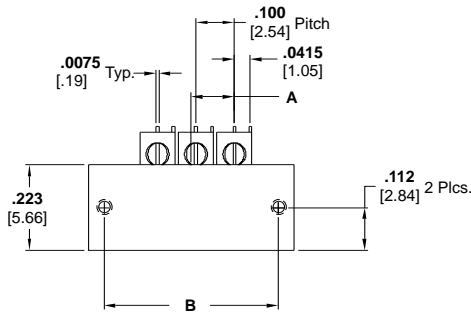
Coax Only Connectors - Wire Terminations



Horizontal SMT 50 Ohm Coax Connectors

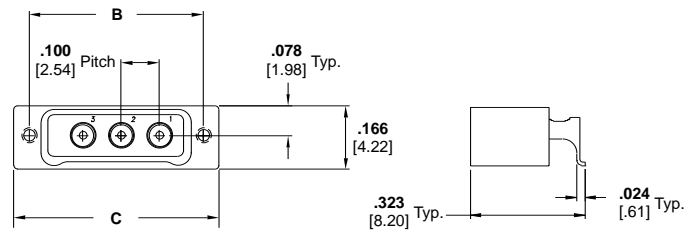


Surface Mount



Product Facts

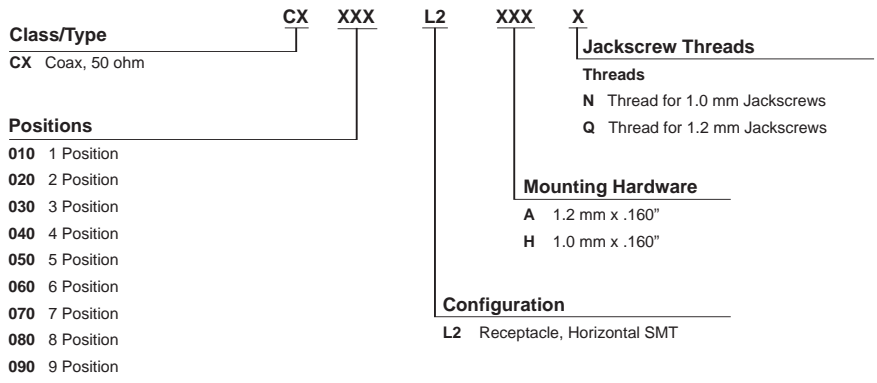
- Metal Shell
- Standard Sizes: 1-9
- Factory wired to your specifications
- Contact Tyco Electronics for custom configurations



Receptacle Assembly
Drawing Number 1589072

Size	Dimensions			No. Coax
	A	B	C	
1	0.0125 [0.32]	0.254 [6.45]	0.335 [8.51]	1
2	0.0625 [1.59]	0.354 [8.99]	0.435 [11.05]	2
3	0.1125 [2.86]	0.454 [11.53]	0.535 [13.59]	3
4	0.1625 [4.13]	0.554 [14.07]	0.635 [16.13]	4
5	0.2125 [5.40]	0.654 [16.61]	0.735 [18.67]	5
6	0.2625 [6.67]	0.754 [19.15]	0.835 [21.21]	6
7	0.3125 [7.94]	0.854 [21.69]	0.935 [23.75]	7
8	0.3625 [9.21]	0.954 [24.23]	1.035 [26.29]	8
9	0.4125 [10.48]	1.054 [26.77]	1.135 [28.83]	9

Coax Only Connectors - SMT Termination



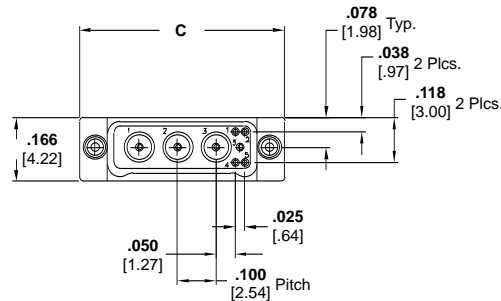
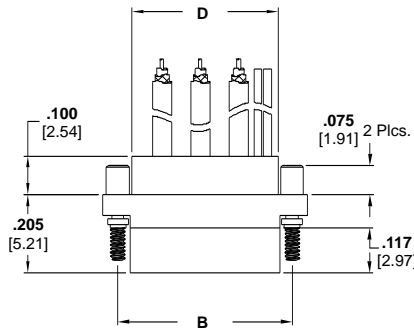
50 Ohm Coax with Mixed Signal Connectors



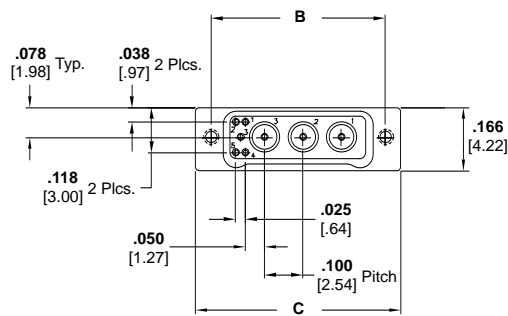
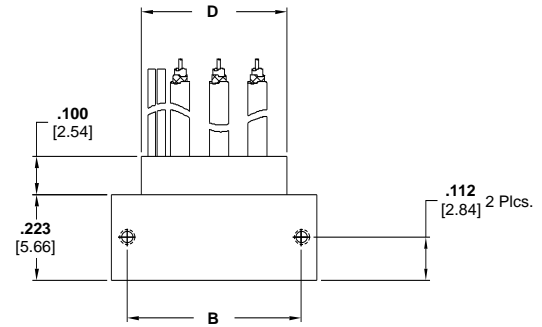
Plug



Receptacle



Plug Assembly
Drawing Number 1589068



Receptacle Assembly
Drawing Number 1589069

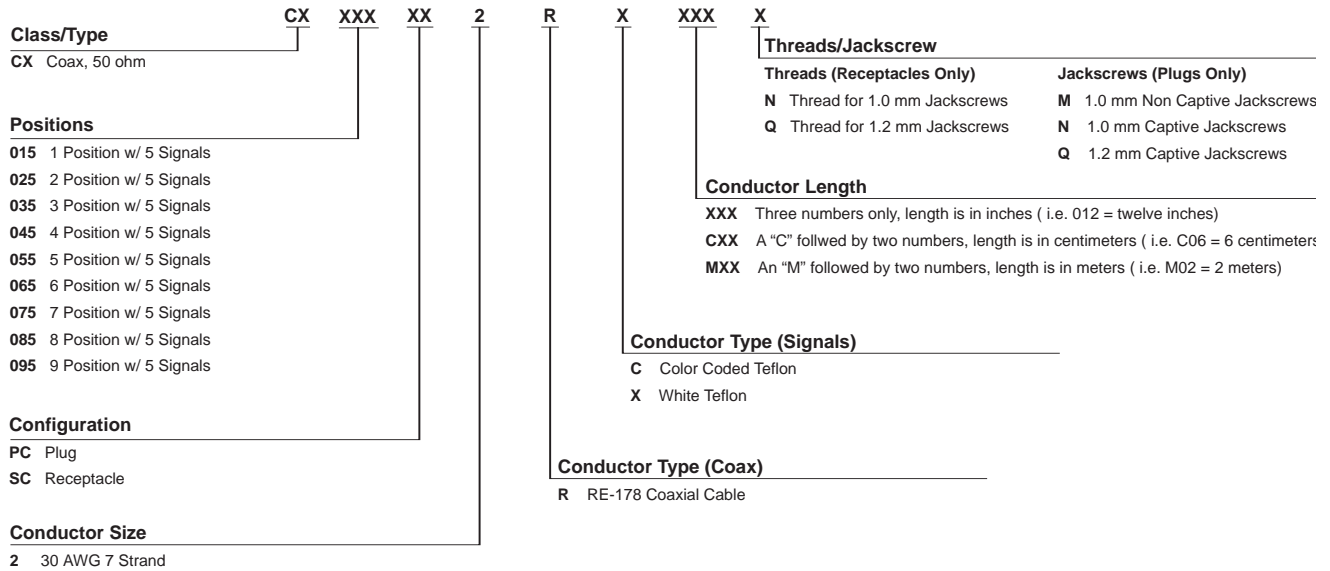
Product Facts

- Metal Shell
- Standard Sizes: 1-9 coaxial contacts with 5 signal contacts
- Factory wired to your specifications
- Contact Tyco Electronics for custom configurations

NANONICS Coaxial Connectors 7

Size	Dimensions			No. Coax
	B	C	D	
1	0.254 [6.45]	0.335 [8.51]	0.180 [4.57]	1
2	0.354 [8.99]	0.435 [11.05]	0.280 [7.11]	2
3	0.454 [11.53]	0.535 [13.59]	0.380 [9.65]	3
4	0.554 [14.07]	0.635 [16.13]	0.480 [12.19]	4
5	0.654 [16.61]	0.735 [18.67]	0.580 [14.73]	5
6	0.754 [19.15]	0.835 [21.21]	0.680 [17.27]	6
7	0.854 [21.69]	0.935 [23.75]	0.780 [19.81]	7
8	0.954 [24.23]	1.035 [26.29]	0.880 [22.35]	8
9	1.054 [26.77]	1.135 [28.83]	0.980 [24.89]	9

Coax w/ Mixed Signal Connectors - Wire Terminations

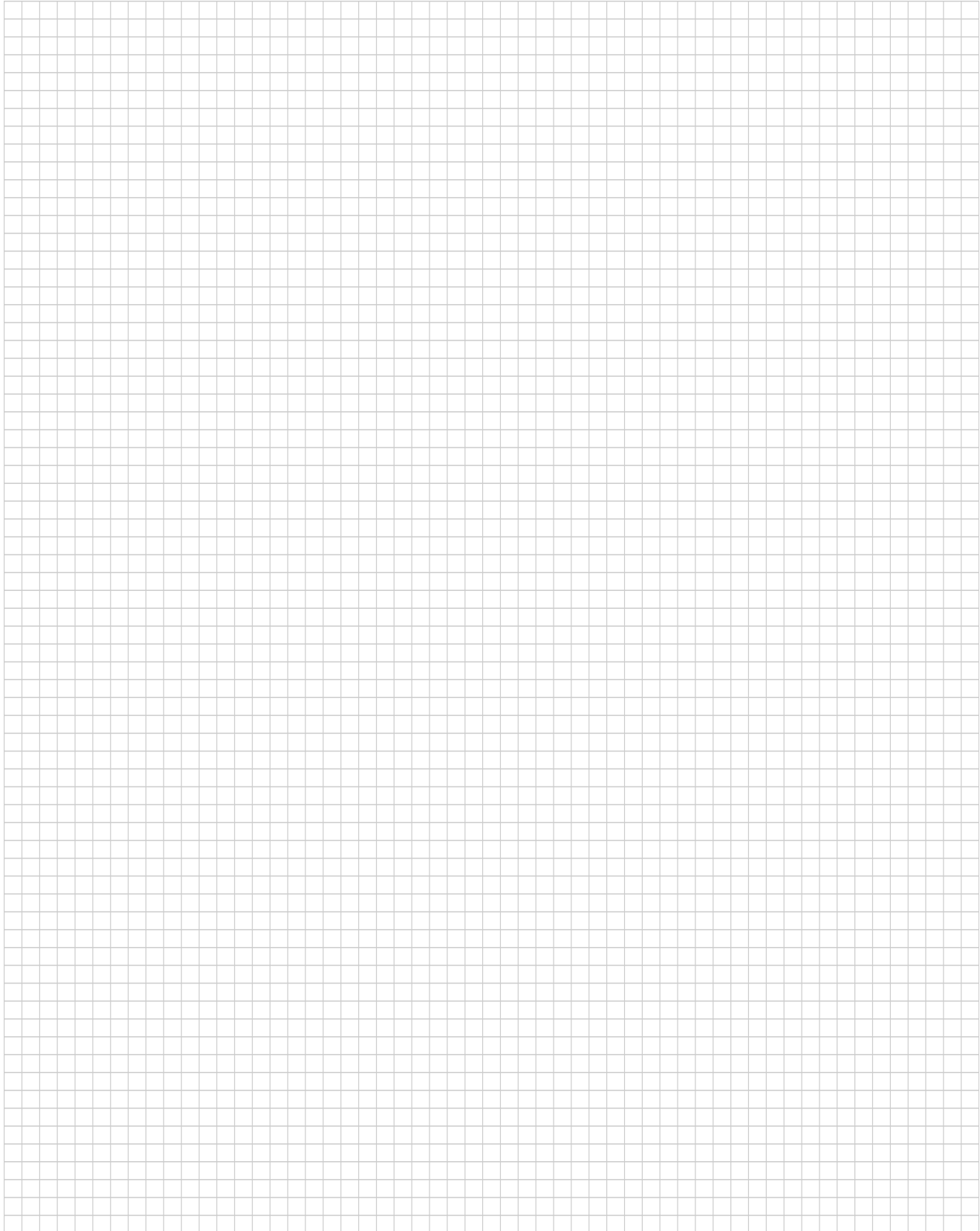


Part Number Index Cross Reference

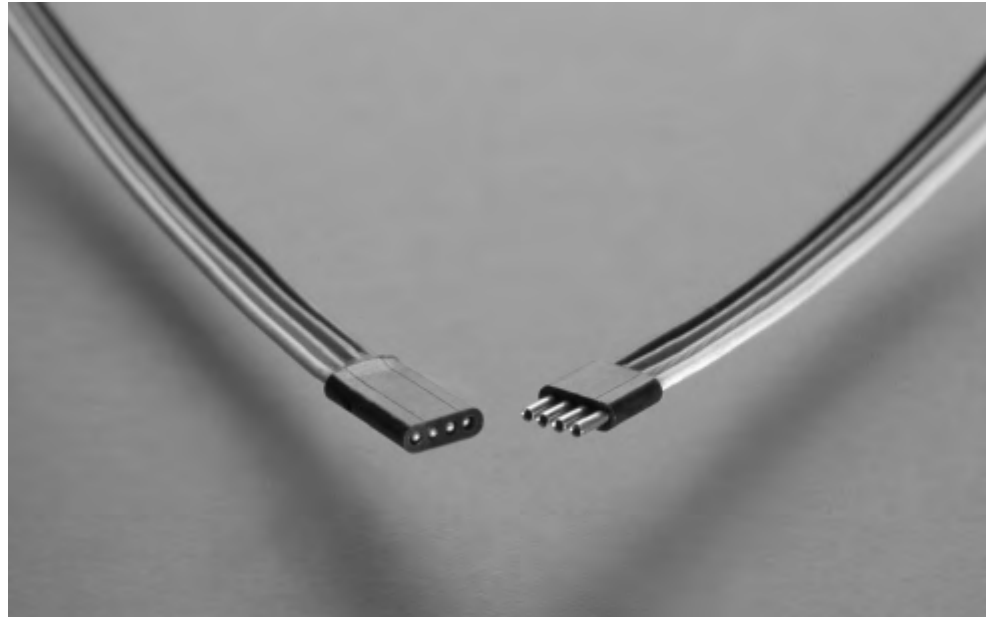
Nanonics Part Number	Tyco Part Number	Nanonics Part Number	Tyco Part Number	Nanonics Part Number	Tyco Part Number
Coax Only		Coax with Mixed Signals		Horizontal SMT Coax	
CX010PC2RG006N	0-1589070-1	CX015PC2RC012	0-1589068-1	CX010L2AQ	1-1589072-3
CX010PC2RG018N	0-1589070-2	CX015PC2RC012N	0-1589068-5	CX010L2HN	0-1589072-1
CX010PC2RG048Q	2-1589070-8	CX015SC2RC012N	0-1589069-1	CX020L2HN	1-1589072-2
CX010PC2RG072N	0-1589070-3	CX035PC2RC006N	0-1589068-2	CX030L23N	0-1589072-2
CX010PC2RGC10Q	2-1589070-1	CX035PC2RC018N	0-1589068-3	CX030L23Q	0-1589072-5
CX010SC2RG048Q	2-1589071-3	CX035SC2RC006N	0-1589069-2	CX030L2HN	0-1589072-3
CX020PC2RG018N	0-1589070-4	CX035SC2RC018N	0-1589069-3	CX040L2AQ	1-1589072-0
CX020PC2RG048N	2-1589070-5	CX045PC2RC006N	0-1589068-4	CX040L2HN	1-1589072-6
CX020PC2RG060N	1-1589070-8	CX045PC2RC036N	0-1589068-9	CX050L23Q	0-1589072-6
CX020SC2RG012N	2-1589071-0	CX045PC2RC036Q	1-1589068-0	CX050L2HN	0-1589072-9
CX020SC2RG018N	2-1589071-5	CX045SC2RC006N	0-1589069-4	CX060L2AQ	1-1589072-1
CX020SC2RG024N	0-1589071-8	CX045SC2RC060Q	0-1589069-7	CX060L2HN	1-1589072-5
CX020SC2RG024Q	2-1589071-8	CX055PC2RC006N	0-1589068-6	CX070L2AQ	1-1589072-4
CX020SC2RG060N	2-1589071-2	CX055SC2RC006N	0-1589069-5	CX080L2HN	0-1589072-4
CX030PC2RG006N	0-1589070-5	CX095PC2RC006N	0-1589068-7		
CX030PC2RG012	0-1589070-6	CX095PC2RC036N	0-1589068-8		
CX030PC2RG012N	0-1589070-7	CX095SC2RC006N	0-1589069-6		
CX030PC2RG018N	0-1589070-8				
CX030PC2RG020Q	0-1589070-9				
CX030PC2RG048N	2-1589070-4				
CX030PC2RG060N	2-1589070-6				
CX030SC2RG006N	0-1589071-3				
CX030SC2RG012	0-1589071-4				
CX030SC2RG012N	1-1589071-8				
CX030SC2RG060N	2-1589071-1				
CX040PC2RG012N	1-1589070-0				
CX040PC2RG030N	1-1589070-1				
CX040PC2RG039Q	3-1589070-7				
CX040PC2RG060N	1-1589070-7				
CX040SC2RG012	0-1589071-5				
CX040SC2RG024N	0-1589071-7				
CX050PC2RG006N	1-1589070-4				
CX050SC2RG006N	1-1589071-9				
CX060PC2RG012N	3-1589070-8				
CX060PC2RG012Q	3-1589070-3				
CX060PC2RG018N	3-1589070-5				
CX060PC2RG036N	3-1589070-0				
CX060PC2RG072N	3-1589070-1				
CX060PC2RG144N	3-1589070-2				
CX060PC2RGC10Q	2-1589070-0				
CX060SC2RG012Q	2-1589071-6				
CX070PC2RGC10Q	2-1589070-3				
CX080PC2RG006N	2-1589070-2				
CX080PC2RG012N	3-1589070-9				
CX080PC2RG012Q	3-1589070-4				
CX080PC2RG018N	3-1589070-6				
CX080PC2RG024N	2-1589070-9				
CX080PC2RG036N	1-1589070-5				
CX080PC2RG048N	1-1589070-6				
CX080PC2RG060N	1-1589070-9				
CX080PC2RGC10N	2-1589070-7				
CX080SC2RG012N	2-1589071-4				
CX080SC2RG012Q	2-1589071-7				
CX080SC2RG015N	1-1589071-7				
CX080SC2RG024N	0-1589071-9				
CX090PC2RG036N	1-1589070-2				
CX090SC2RG036N	0-1589071-6				

NANONICS Coaxial Connectors

7



Strip Connectors



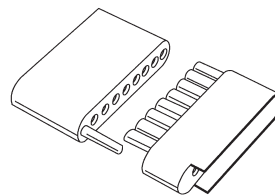
The Nanonics strip connectors are the smallest connectors in the Nanonics product line. They are molded from LCP and are ideal for applications where the height and weight of the connector is a serious design parameter. Just .040" in height, these

connectors are well suited for low-profile applications. Standard sizes are 4, 9, and 15, while 25, 37, and 51 are also available upon request. Standard configurations include wired, surface mount, or thru-hole terminations.

Guide pins are available for polarization. Harness assemblies and custom configurations can also be accommodated.

Polarization

Polarization of the strips is accomplished with the use of optional polarizing guide posts.

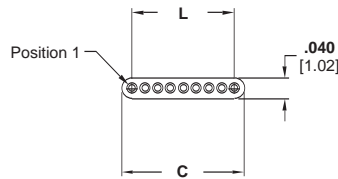
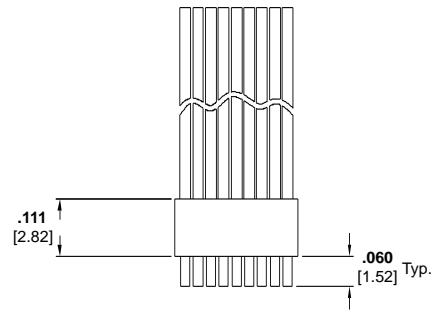
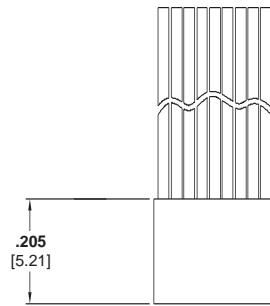


Polarization Position
"T" Shown

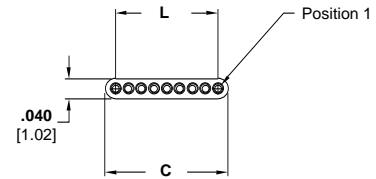
Wired Connectors — Unshrouded, Flying Leads

Product Facts

- Plastic Shell
- Standard Sizes: 4, 9, 15, 25, 37 and 51
- Factory wired to your specifications
- Contact Tyco Electronics for custom configurations



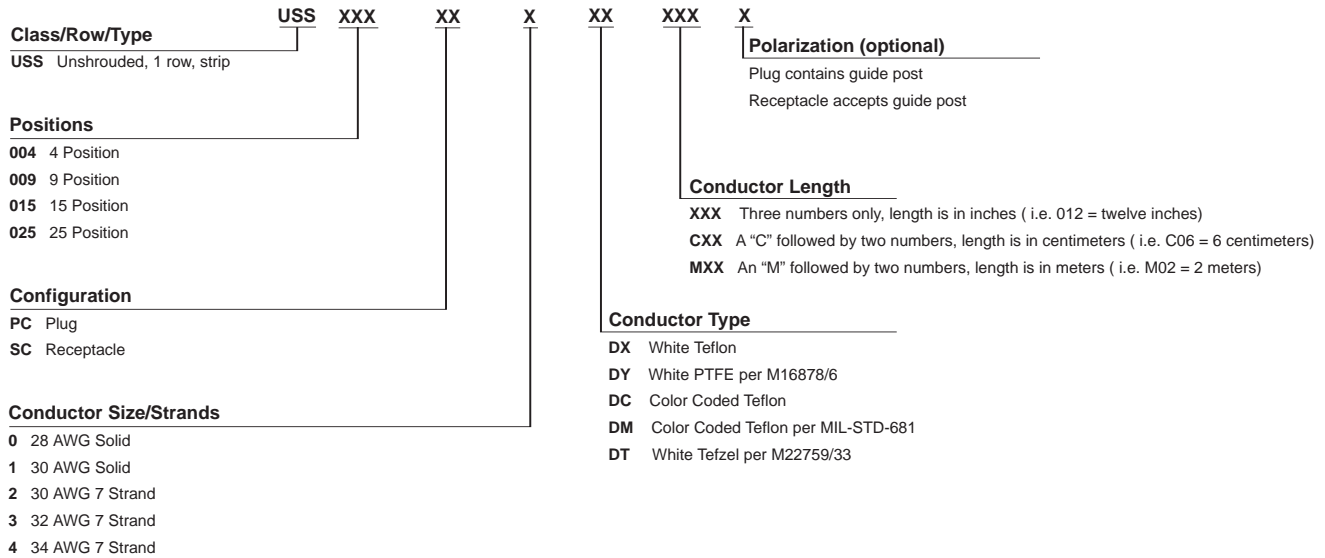
Plug Assembly
Drawing Number 1589448



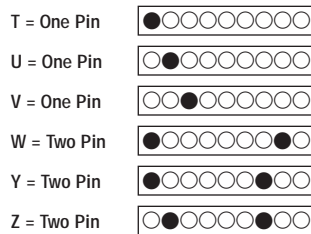
Receptacle Assembly
Drawing Number 1589449

Size	Dimensions	
	C	L
4	0.115 [2.92]	0.075 [1.91]
9	0.240 [6.10]	0.200 [5.08]
15	0.390 [9.91]	0.350 [8.89]
25	0.640 [16.26]	0.600 [15.24]
37	0.940 [23.88]	0.900 [22.86]
51	1.290 [32.77]	1.250 [31.75]

Strip Connectors - Wire Terminations



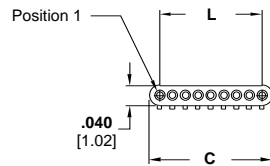
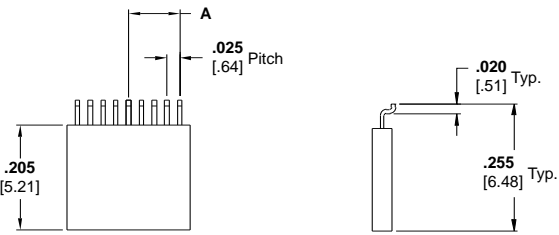
Polarization (Strip Type Only)



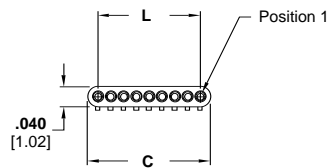
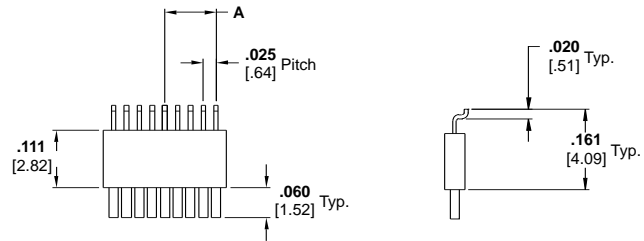
Surface Mount Connectors — Unshrouded

Product Facts

- Plastic Shell
- Standard Sizes: 4, 9, 15, 25, 37 and 51
- Factory wired to your specifications
- Contact Tyco Electronics for custom configurations
- Suggested Pad Layouts are available on the referenced drawings on the Tyco Electronics website



Plug Assembly
Drawing Number 1589451



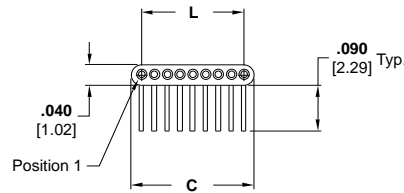
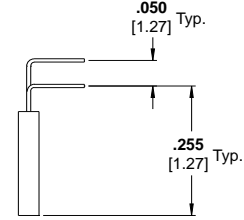
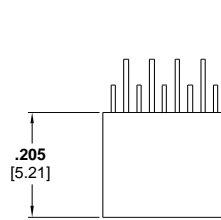
Receptacle Assembly
Drawing Number 1589452

Size	Dimensions		
	A	C	L
4	0.0375 [.95]	0.115 [2.92]	0.075 [1.91]
9	0.1000 [2.54]	0.240 [6.10]	0.200 [5.08]
15	0.1750 [4.45]	0.390 [9.91]	0.350 [8.89]
25	0.3000 [7.62]	0.640 [16.26]	0.600 [15.24]
37	0.4500 [11.43]	0.940 [23.88]	0.900 [22.86]
51	0.6250 [15.88]	1.290 [32.77]	1.250 [31.75]

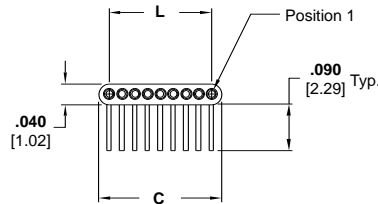
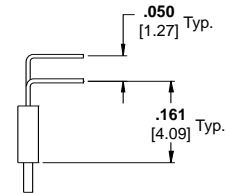
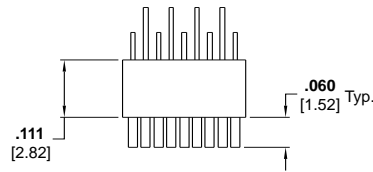
Thru-Hole Connectors — Unshrouded, Horizontal, 1 Row to 2 Row, .050 Spacing

Product Facts

- Plastic Shell
- Standard Sizes: 4, 9, 15, 25, 37 and 51
- Factory wired to your specifications
- Contact Tyco Electronics for custom configurations
- Suggested Thru-Hole Layouts are available on the referenced drawings on the Tyco Electronics website



Plug Assembly
Drawing Number 1589453



Receptacle Assembly
Drawing Number 1589454





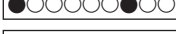

Size	Dimensions	
	C	L
4	0.115 [2.92]	0.075 [1.91]
9	0.240 [6.10]	0.200 [5.08]
15	0.390 [9.91]	0.350 [8.89]
25	0.640 [16.26]	0.600 [15.24]
37	0.940 [23.88]	0.900 [22.86]
51	1.290 [32.77]	1.250 [31.75]

Part Numbering Guideline for Surface Mount and Thru Hole Termination

Strip Connectors - Surface Mount and Thru Hole Terminations

Class/Row/Type	USS	XXX	XX	X
USS Unshrouded, 1 row, strip				Polarization (optional) Plug contains guide post Receptacle accepts guide post
Positions				Configuration
004 4 Position				B2 Plug, Horizontal SMT
009 9 Position				L2 Receptacle, Horizontal SMT
015 15 Position				C6 Plug, Horizontal Mount, Thru Hole
025 25 Position				M6 Receptacle, Horizontal Mount, Thru Hole

Polarization (Strip Type Only)

T = One Pin	
U = One Pin	
V = One Pin	
W = Two Pin	
Y = Two Pin	
Z = Two Pin	

Part Number Index Cross Reference

Nanonics Part Number	Tyco Part Number	Nanonics Part Number	Tyco Part Number	Nanonics Part Number	Tyco Part Number	Nanonics Part Number	Tyco Part Number
Wire Terminations				Surface Mount			
USS004PC2DC003	0-1589448-1	USS004SC3DC018	1-1589449-8	USS009SC3DC036	7-1589449-6	USS004B2	0-1589451-1
USS004PC2DC006	0-1589448-2	USS004SC3DX004T	1-1589449-9	USS009SC3DX004T	4-1589449-4	USS004B2T	0-1589451-2
USS004PC2DC006T	5-1589448-5	USS004SC4DXC30	8-1589449-2	USS015PC1DC036T	7-1589448-3	USS004B4	0-1589775-1
USS004PC2DC008	6-1589448-8	USS009PC0DC006T	1-1589448-6	USS015PC1DC036W	7-1589448-4	USS004B45T	0-1589450-1
USS004PC2DC012	0-1589448-3	USS009PC2DC006	1-1589448-7	USS015PC2DC006	3-1589448-5	USS004B4T	3-1589683-2
USS004PC2DC012T	0-1589448-4	USS009PC2DC006W	1-1589448-8	USS015PC2DC012	3-1589448-6	USS004L2	0-1589452-1
USS004PC2DC012U	0-1589448-5	USS009PC2DC008U	5-1589448-2	USS015PC2DC012T	3-1589448-7	USS004L2T	0-1589452-2
USS004PC2DC012U	0-1589448-5	USS009PC2DC008U	5-1589448-2	USS015PC2DC012V	3-1589448-8	USS009B2	0-1589451-3
USS004PC2DC024	0-1589448-6	USS009PC2DC012	1-1589448-9	USS015PC2DC018	3-1589448-9	USS009B2T	0-1589451-5
USS004PC2DC036	0-1589448-7	USS009PC2DC012T	2-1589448-0	USS015PC2DC018V	5-1589448-6	USS009B2TE	1-1589451-5
USS004PC2DC036T	0-1589448-8	USS009PC2DC012V	2-1589448-1	USS015PC2DMC60T	4-1589448-0	USS009B2Z	0-1589451-6
USS004PC2DCC20T	5-1589448-9	USS009PC2DC018V	2-1589448-2	USS015PC2DX004T	4-1589448-1	USS009B43T	5-1589683-6
USS004PC2DCC30	0-1589448-9	USS009PC2DC024	2-1589448-3	USS015PC2DX012	4-1589448-2	USS009B4T	5-1589683-7
USS004PC2DCM01	5-1589448-7	USS009PC2DC036	2-1589448-4	USS015PC2DX024T	4-1589448-3	USS009L2	0-1589452-3
USS004PC2DM012T	7-1589448-2	USS009PC2DC036T	2-1589448-5	USS015PC3DC036	6-1589448-6	USS009L2T	0-1589452-4
USS004PC2DM024T	7-1589448-6	USS009PC2DC036U	2-1589448-6	USS015SC1DC036T	8-1589449-6	USS009L2U	0-1589452-5
USS004PC2DMC30	6-1589448-9	USS009PC2DC036V	2-1589448-7	USS015SC1DC036W	8-1589449-7	USS009L2V	0-1589452-6
USS004PC2DMC40	7-1589448-1	USS009PC2DCC05T	2-1589448-8	USS015SC2DC006	4-1589449-6	USS015B2	0-1589451-8
USS004PC2DMC50	6-1589448-7	USS009PC2DCM01	5-1589448-8	USS015SC2DC012	4-1589449-7	USS015B2T	0-1589451-9
USS004PC2DMM01	6-1589448-0	USS009PC2DM012T	7-1589448-5	USS015SC2DC012T	4-1589449-8	USS015B4T	7-1589683-6
USS004PC2DMM02	6-1589448-1	USS009PC2DM024T	7-1589448-7	USS015SC2DC018V	6-1589449-4	USS015L2	0-1589452-7
USS004PC2DNC40	1-1589448-0	USS009PC2DX001	2-1589448-9	USS015SC2DC024T	6-1589449-1	USS015L2T	0-1589452-8
USS004PC2DX006	1-1589448-1	USS009PC2DX004T	3-1589448-0	USS015SC2DC036	7-1589449-8	USS015L2V	0-1589452-9
USS004PC2DX012	1-1589448-2	USS009PC2DX006T	3-1589448-1	USS015SC2DC036T	4-1589449-9	USS025B2	1-1589451-0
USS004PC2GX006	1-1589448-3	USS009PC2DX012	3-1589448-2	USS015SC2DMC60T	5-1589449-0	USS025B4T	8-1589683-6
USS004PC2GX024	1-1589448-4	USS009PC2GX006	3-1589448-3	USS015SC2DX004T	5-1589449-1	USS025L2	1-1589452-0
USS004PC3DC018	1-1589448-5	USS009PC2GX012	3-1589448-4	USS015SC2DX006T	6-1589449-5	USS025L4T	8-1589683-7
USS004PC4DXC10	7-1589448-0	USS009PC3DC036	6-1589448-5	USS015SC2DX018T	5-1589449-2	USS037B2	1-1589451-1
USS004SC2DC002	0-1589449-1	USS009SC0DC006T	7-1589449-0	USS015SC3DC036	7-1589449-7	USS037B2T	1-1589451-4
USS004SC2DC003	0-1589449-2	USS009SC2DC004	2-1589449-0	USS015SC3DX004T	5-1589449-3	USS037L2	1-1589452-1
USS004SC2DC003T	0-1589449-3	USS009SC2DC006	2-1589449-1	USS025PC2DC006	4-1589448-4	USS037L2T	1-1589452-2
USS004SC2DC004	0-1589449-4	USS009SC2DC006W	2-1589449-2	USS025PC2DC012	6-1589448-2	USS051B2	1-1589451-3
USS004SC2DC006	0-1589449-5	USS009SC2DC006Z	2-1589449-3	USS025PC2DT006T	5-1589448-3	USS051L2	1-1589452-3
USS004SC2DC006T	6-1589449-2	USS009SC2DC008	2-1589449-4	USS025PC2DX018T	4-1589448-5		
USS004SC2DC008	8-1589449-0	USS009SC2DC012	2-1589449-5	USS025SC2DC006	5-1589449-4		
USS004SC2DC012	0-1589449-6	USS009SC2DC012T	2-1589449-6	USS025SC2DC012	7-1589449-4		
USS004SC2DC012T	0-1589449-7	USS009SC2DC018	2-1589449-7	USS025SC2DT006T	5-1589449-9		
USS004SC2DC012U	0-1589449-8	USS009SC2DC018T	2-1589449-8	USS037PC1DXC20	4-1589448-6		
USS004SC2DC024	0-1589449-9	USS009SC2DC018V	6-1589449-3	USS037PC2DC006	4-1589448-7		
USS004SC2DC036	1-1589449-0	USS009SC2DC024	3-1589449-4	USS037PC2DC012	6-1589448-4		
USS004SC2DC048	1-1589449-1	USS009SC2DC025T	3-1589449-1	USS037PC2DC020T	4-1589448-8		
USS004SC2DCC20T	7-1589449-1	USS009SC2DC036T	3-1589449-2	USS037PC2DNC50	4-1589448-9		
USS004SC2DCC30	1-1589449-2	USS009SC2DC036U	3-1589449-3	USS037PC2DT006T	5-1589448-4		
USS004SC2DCM01	6-1589449-7	USS009SC2DC036V	3-1589449-4	USS037SC1DXC20	5-1589449-5		
USS004SC2DM012T	8-1589449-4	USS009SC2DC036W	3-1589449-5	USS037SC1DY006	6-1589449-6		
USS004SC2DM024T	8-1589449-9	USS009SC2DC060T	3-1589449-6	USS037SC2DC006	5-1589449-6		
USS004SC2DMC30	8-1589449-1	USS009SC2DCC05T	3-1589449-7	USS037SC2DC012	7-1589449-5		
USS004SC2DMC30	8-1589449-1	USS009SC2DC036T	3-1589449-2	USS037SC2DC012	7-1589449-5		
USS004SC2DMC40	8-1589449-3	USS009SC2DC036U	3-1589449-3	USS037SC2DC036T	6-1589449-9		
USS004SC2DMC50	7-1589449-9	USS009SC2DCM01	6-1589449-8	USS037SC2DT006T	6-1589449-0		
USS004SC2DMM01	7-1589449-2	USS009SC2DCM01T	3-1589449-8	USS037SC2DX006T	5-1589449-7		
USS004SC2DMM02	7-1589449-3	USS009SC2DM012T	8-1589449-8	USS051PC2DC012	5-1589448-0		
USS004SC2DMM02	7-1589449-3	USS009SC2DM024T	9-1589449-0	USS051PC2DX012	5-1589448-1		
USS004SC2DNC40	8-1589449-5	USS009SC2DT012T	9-1589449-1	USS051SC2DC012	5-1589449-8		
USS004SC2DTC20T	8-1589449-5	USS009SC2DX004T	3-1589449-9				
USS004SC2DX006	1-1589449-4	USS009SC2DX006T	4-1589449-0				
USS004SC2DX012T	1-1589449-5	USS009SC2DX012	4-1589449-1				
USS004SC2GX006	1-1589449-6	USS009SC2GX006	4-1589449-2				
USS004SC2GX024	1-1589449-7	USS009SC2GX012	4-1589449-3				



