

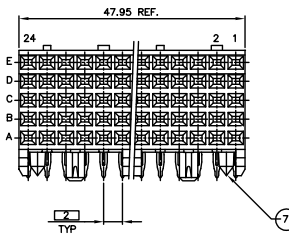
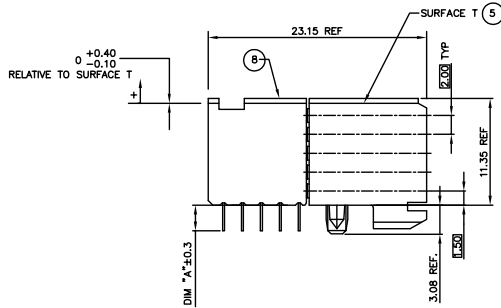
Tous droits strictement réservés. Reproduction ou communication à des tiers interdite sous quelque forme que ce soit sans autorisation écrite du propriétaire. Property of FCI. Droits de reproduction FCI.



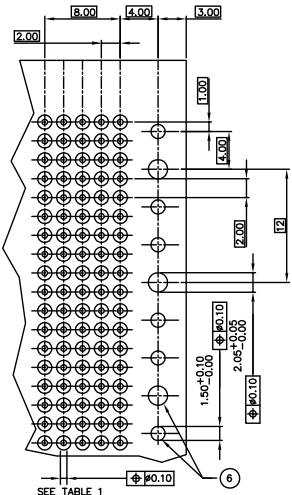
All rights strictly reserved. Reproduction or issue to third parties in any form whatsoever is not permitted without written authority from the proprietor. Property of FCI. Copyright FCI.

PRODUCT NUMBER
85720-XYX
85720-XYLF

PLATING CONTACT AREA:	
DASH NR:	PERFORMANCE LEVEL
-1YY/1YYLF	TELCORDIA CO
-2YY/2YYLF	CUSTOMER SPECIAL
-3YY/3YYLF	CUSTOMER SPECIAL



- NOTES:
- CONNECTOR MATERIALS:  
HOUSING: LCP, SOLE GLASS FILLED, UL 94-V0 COMPLIANT  
TERMINAL: PHOSPHOR BRONZE ALLOY
  - PLATING ON PRESS-FIT TIAL:  
85720-XYX IS 0.5-1.5um SnPb  
85720-XYLF IS 0.5-1.5um Sn (LEAD FREE)
  - PRODUCT SPECIFICATION:  
GS-12-002
  - APPLICATION SPECIFICATIONS:  
BUS-20-061  
GS-20-001  
TA-941
  - PRODUCT MARKING: (PART NUMBER & LOT CODE).
  - INDICATED HOLES ARE UNPLATED.
  - DIAMOND LOCATION PEG ARE ONLY EXISTED ON THE BOTH SIDES OF PRODUCT.
  - TOP SURFACE OF PRESS BLOCK MAY EXTEND UP TO 0.4MM HIGHER THAN HOUSING. THIS MAY AFFECT THE TAIL LENGTH BEFORE APPLICATION TO A BOARD.
  - VIA-HOLES MAY BE OMITTED ON CONTACT POSITIONS
  - THESE PRODUCTS WHERE THE PART NUMBER ENDS IN "LF" MEET THE EUROPEAN UNION DIRECTIVES AND OTHER COUNTRY REGULATIONS AS DESCRIBED IN GS-22-008.  
ALL PRODUCTS WILL WITHSTAND EXPOSURE TO 240°C FOR 60 SECONDS IN A CONVECTION, INFAR-RED OR VAPOR PHASE REFLOW OVEN.
  - FOR LEAD FREE PART NUMBERS ADD "LF" SUFFIX. EXAMPLE: 85720-XYLF.



HOLE DIAMETER AFTER PLATING	0.65-0.80
DRILLED HOLE	0.81-0.86 (0.65 DRILL)
COPPER PLATING	0.025 - 0.05
SnPb PLATING	0.005-0.015

RECOMMENDED PC BOARD LAYOUT, COMPONENT SIDE.  
SEE NOTE 9

mat'l. code	SEE NOTES	tolerances unless otherwise specified	CUSTOMER COPY	www.fciconnect.com		
ltr	ecn no	dr	date		projection	
S	D607-0169	Cenh	05/15/07	linear	MM	
T	D608-0171	TER	9/3/08	linear	MM	
U	D609-0068	Cenh	06/06/09	angles	MM	
		dr		C.DAILY	4/17/02	
N	V05-0074	LP	4/12/05	engr	M.GRAY	4/17/02
P	V05-0522	DAI	6/8/05	chr	M.GRAY	4/17/02
R	V05-1013	JRV	11/2/05	appd	M.GRAY	4/17/02
sheet index	revision sheet	U	U			
		1	2			

title	B SERIES R/A SIGNAL RECEPT ASSY	code	213
product family	METRAL (tm)	sheet	1 of 2
size	dwg no		
	85720		
cage code	22526		

ACAD

PDM: Rev:U

STATUS: Released

Printed Aug 14, 2009

