



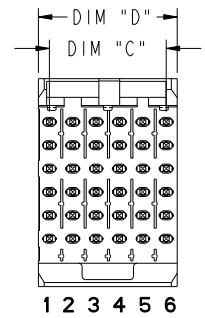
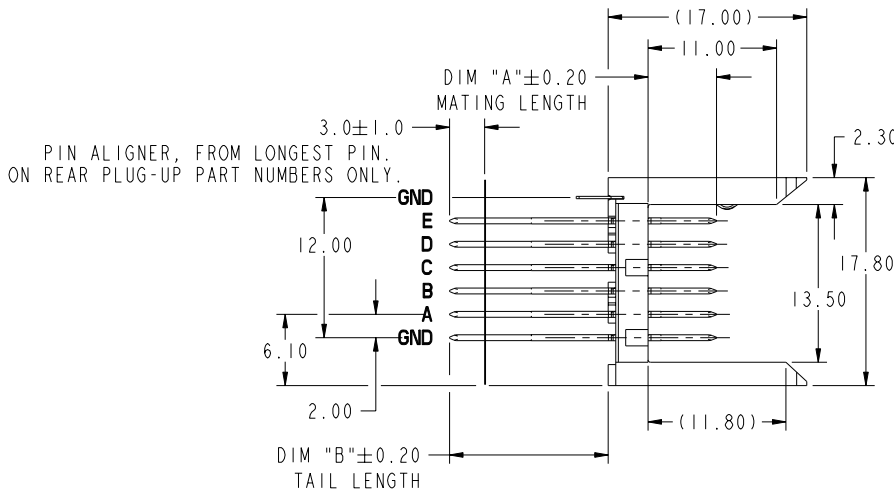
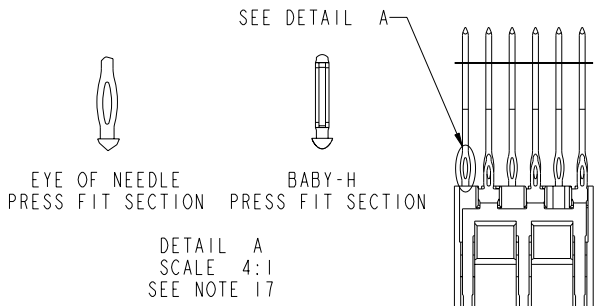
This document is the property of and embodies CONFIDENTIAL and PROPRIETARY information of FCI. No part of the information shown on this document may be used in any way or disclosed to others without the written consent of FCI. Copyright FCI.

PRODUCT NUMBER
SEE BELOW AND TABLE ON SHEET 2

84817-X YY ZZZ LF
BASE NUMBER

LEAD FREE (OPTIONAL)
SPECIAL LOAD PATTERN
SEE SHEETS 7-9

SIZE, SEE SHEET 2
PLATING PERFORMANCE
LEVEL, SEE SHEET 2



mat'l code SEE NOTE 5				tolerances unless otherwise specified				CUSTOMER		FCI www.fciconnect.com	
lfr	ecm no.	dr	date	linear	0. x ± .1	projection		COPY		title VERTICAL SIGNAL HDR 5 ROW PRESS-FIT, SPECIAL LOAD, STD.	
AC	V06-0569	DCH	2006-06-12		0. xx ± .05	MM		product family METRAL 1000			
AD	V07-0047	HTB	2007-01-19		. xxx ± .020	MM		size		code 213	
AE	V07-0166	DCH	2007-03-01	angles	0° ± 2°	MM		dwg no		sheet 1 of 7	
AF	V07-0676	HTB	2007-11-08	dr	K. BELL 2000-03-29	MM		A		84817	
AG	V08-0009	LP	2008-1-23	enr	M. HAHN 2000-03-29	MM		scale			
				chr	M. HAHN 2000-03-29	MM		1:1			
AB	V05-0806	VS	2005-09-13	oppd	M. HAHN 2000-03-29	MM					
sheet index	revision	AG	AG	AG	AG	AG	AG	AG	AG		
	sheet	1	2	3	4	5	6	7			
								cage code		22526	

REV E - 2006-04-18

Pro/E

PDM: Rev:AG STATUS:Released Printed: Dec 17, 2009

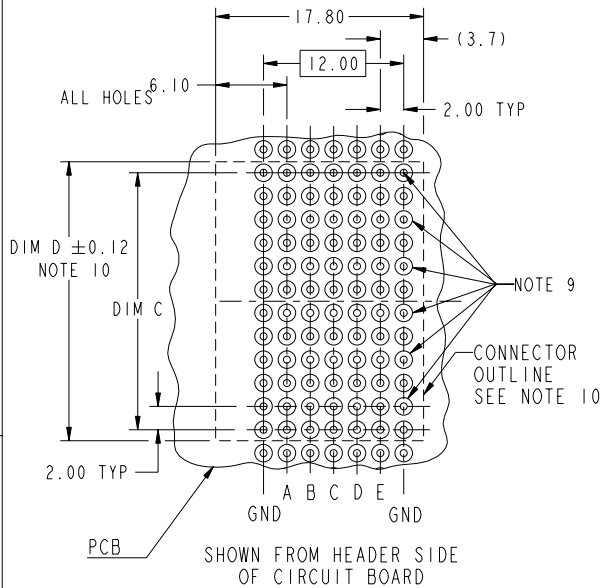


This document is the property of and embodies CONFIDENTIAL and PROPRIETARY information of FCI. No part of the information shown on this document may be used in any way or disclosed to others without the written consent of FCI. Copyright FCI.

1 2						3					4
PRODUCT NO.	PLATING PERFORMANCE LEVEL	SHROUD TO USE FOR REAR-PLUG-UP APPLICATIONS	LENGTH DIM D	PIN FIELD DIM C	CONNECTOR SIZE	PRODUCT NO.	PLATING PERFORMANCE LEVEL	SHROUD TO USE FOR REAR-PLUG-UP APPLICATIONS	LENGTH DIM D	PIN FIELD DIM C	CONNECTOR SIZE
84817-101ZZZ	TELCORDIA CO	84818-101	11.88	10.00	1 MOD	84817-901ZZZ	TELCORDIA CO	84818-101	11.88	10.00	1 MOD
84817-101ZZZLF		84818-101LF									
84817-102ZZZ		84818-102	23.88	22.00	2 MOD	84817-902ZZZ		84818-102			
84817-102ZZZLF		84818-102LF									
84817-103ZZZ		84818-103	35.88	34.00	3 MOD	84817-903ZZZ		84818-103			
84817-103ZZZLF		84818-103LF									
84817-104ZZZ		84818-104	47.88	46.00	4 MOD	84817-904ZZZ		84818-104			
84817-104ZZZLF		84818-104LF									
84817-301ZZZ	CUSTOMER SPECIAL	84818-301	11.88	10.00	1 MOD						
84817-301ZZZLF		84818-301LF									
84817-302ZZZ		84818-302	23.88	22.00	2 MOD						
84817-302ZZZLF		84818-302LF									
84817-303ZZZ		84818-303	35.88	34.00	3 MOD						
84817-303ZZZLF		84818-303LF									
84817-304ZZZ		84818-304	47.88	46.00	4 MOD						
84817-304ZZZLF		84818-304LF									
84817-501ZZZ	TELCORDIA UE	84818-501	11.88	10.00	1 MOD						
84817-501ZZZLF		84818-501LF									
84817-502ZZZ		84818-502	23.88	22.00	2 MOD						
84817-502ZZZLF		84818-502LF									
84817-503ZZZ		84818-503	35.88	34.00	3 MOD						
84817-503ZZZLF		84818-503LF									
84817-504ZZZ		84818-504	47.88	46.00	4 MOD						
84817-504ZZZLF		84818-504LF									

mat'l code: SEE NOTE 5				tolerances unless otherwise specified		CUSTOMER COPY		FCI www.fciconnect.com	
ltr	ecm no.	dr	date	linear	0.X ± 0.1	projection	title VERTICAL SIGNAL HDR 5 ROW PRESS-FIT, SPECIAL LOAD, STD.		
AG				angles	.XXX ± .020		product family METRAL 1000 code 213		
				dr	0° ± 2°	MM	size 84817 sheet 2		
				engr	K. BELL 2000-03-29	scale	A		
				chr	M. HAHN 2000-03-29	1:1			
				appd	M. HAHN 2000-03-29				
sheet index	revision sheet								

RECOMMENDED PCB LAYOUT



NOTES:

- SEE APPLICATION SPECIFICATION GS-20-010 FOR INFORMATION ON AVAILABLE TOOLING, CIRCUIT BOARD DESIGN CONSIDERATIONS, REPAIR PROCEDURES AND PRODUCT OFFERINGS.
- SEE FCI PUBLICATION 950511-028 FOR "ELECTRICAL PERFORMANCE DATA FOR DIFFERENTIAL APPLICATIONS."
- SEE FCI PUBLICATION 950511-029 FOR "ELECTRICAL PERFORMANCE DATA FOR SINGLE-ENDED APPLICATION."
- UNLESS OTHERWISE SPECIFIED, ALL DIMENSIONS AND TOLERANCES ARE IN ACCORDANCE WITH ASME Y14.5, 1994
- HOUSING MATERIAL: LCP, 30% GLASS FILLED, FLAME RETARDANT PER UL 94-V0.
PIN MATERIAL: PHOSPHOR BRONZE
GROUND SPRING MATERIAL: PHOSPHOR BRONZE
- PLATING INFORMATION: PLATING ON CONTACT AREA MEETS THE PERFORMANCE LEVELS AS SHOWN IN TABLE ON SHEET 1. PLATING ON "LF" TAILS IS Sn. PLATING ON ALL OTHER TAILS IS SnPb.
- DIMENSIONAL RESTRICTIONS OF PINS IN HEADERS.
FOR MATING WITH METRAL 1000 RECEPTACLES
DIM A : 5.00mm MIN, 8.00mm MAX FOR ROWS A-E
DIM A : 5.00mm MIN, 5.75mm MAX FOR ROW GND NEXT TO ROW A
DIM C : 5.00mm MIN, 8.00mm MAX FOR ROWS A-E
DIM C : 4.60mm MIN, 6.30mm MAX FOR ROW GND NEXT TO ROW A
FOR MATING WITH METRAL 4000 RECEPTACLES
DIM A : 5.00mm MIN, 6.50mm MAX FOR ROWS A, B, D & E
DIM A : 5.00mm MIN, 8.00mm MAX FOR ROW C
DIM A : 5.00mm MIN, 5.75mm MAX FOR ROW GND NEXT TO ROW A
DIM C : 5.00mm MIN, 7.00mm MAX FOR ROWS A, B, D & E
DIM C : 5.00mm MIN, 8.00mm MAX FOR ROW C
DIM C : 4.60mm MIN, 6.30mm MAX FOR ROW GND NEXT TO ROW A
- THE MIN PCB THICKNESS FOR REAR PLUG-UP APPLICATIONS IS 2.9mm SINCE THE COMPLAINT SECTIONS OF THE GROUING SPRING OF THE HEADER DIRECTLY OPPOSE THE GROUND SPRING OF THE SHROUD. THE MIN PCB THICKNESS FOR FRONT PLUG-UP ONLY APPLICATIONS IS 1.6mm.
- THESE HOLES ARE NEEDED FOR REAR PLUG-UP DESIGNS USING A SHROUD AND MAY BE OMITTED FOR FRONT PLUG-UP ONLY DESIGNS.
- THE 'CONNECTOR OUTLINE' IS THE MIN OUTLINE REQUIRED. TO DETERMINE THE OUTLINE NECESSARY TO PERMIT THE VARIOUS TYPES OF REPAIR OPERATIONS, SEE APPLICATION SPECIFICATION GS-20-010.
- CURRENT RATING : 1 AMP PER PIN
- TEMPERATURE RANGE : -55°C TO +105°C
- P/N 84817-X01ZZ SHOWN ON SHEET 1.
- THE PRODUCTS WHERE THE PART NUMBERS END IN "LF" MEET EUROPEAN UNION DIRECTIVES AND OTHER COUNTRY REGULATIONS AS DESCRIBED IN GS-22-008. ALL PRODUCTS WILL WITHSTAND EXPOSURE TO 260°C FOR 60 SECONDS IN A CONVECTION INFRA-RED OR VAPOR PHASE REFLOW OVEN.
- FOR LEAD FREE PART NUMBERS, ADD "LF" SUFFIX. EXAMPLE: 84817-XYYYLF.
- SEE PRODUCT SPEC GS-12-110 FOR PERFORMANCE, TEST, AND SIGNAL INTEGRITY INFORMATION.
- PIN TYPE IS AT THE MANUFACTURERS OPTION AND CAN BE EITHER BABY-H OR EYE OF THE NEEDLE STYLE

PRESS-FIT HOLES	OPTION 1
HOLE DIAMETER AFTER PLATING	0.65-0.80
DRILLED HOLE	0.81-0.86 (0.85 DRILL)
COPPER PLATING	0.025 MIN
SnPb PLATING	0.005-0.015

SEE PRINT 58315 FOR ADDITIONAL PCB INFORMATION

mat'l code		SEE NOTE 5		tolerances unless otherwise specified		CUSTOMER		FCI		www.fciconnect.com	
ltr	ecm no.	dr	date	linear	0.X ±.1	projection	COPY		title		
AG					0.XX ±.05	MM	product family		VERTICAL SIGNAL HDR 5 ROW		
				angles	.XXX ±.020	MM	METRAL 1000		PRESS-FIT, SPECIAL LOAD, STD.		
				dr	0° ±2°	MM	size		code		
				engr	K. BELL 2000-03-29	MM	dwg no		213		
				chr	M. HAHN 2000-03-29	MM	84817		sheet		
				oppd	M. HAHN 2000-03-29	MM	A		3		
sheet index	revision sheet										



This document is the property of and embodies CONFIDENTIAL and PROPRIETARY information of FCI. No part of the information shown on this document may be used in any way or disclosed to others without the written consent of FCI. Copyright FCI.



This document is the property of and embodies CONFIDENTIAL and PROPRIETARY information of FCI. No part of the information shown on this document may be used in any way or disclosed to others without the written consent of FCI. Copyright FCI.

PIN NO.	DIM A MATING LENGTH	DIM B TAIL LENGTH	PCB THICKNESS RANGE ACCOMMODATED BY PIN'S TAIL LENGTH				
			WHEN MATING TO A 73981 OR 84688 SERIES RECEPTACLE		WHEN MATING TO A 52057 SERIES METRAL 4000 RECEPTACLE		
			ROWS A,B,C,D,E	GROUND ROW	ROWS:A,B,DE	ROW C	GROUND ROW
01*	5.00	4.30	1.60 MIN	1.60 MIN	1.60 MIN	1.60 MIN	1.60 MIN
22		12.20	2.95 - 3.80	2.95 - 4.20	2.95 - 3.80	2.95 - 3.80	2.95 - 4.20
30		12.95	2.95 - 4.55	3.25 - 4.95	2.95 - 4.55	2.95 - 4.55	3.25 - 4.95
05		13.70	2.95 - 5.30	4.00 - 5.70	3.30 - 5.30	2.95 - 5.30	4.00 - 5.70
35		14.45	3.05 - 6.05	4.75 - 6.45	4.05 - 6.05	3.05 - 6.05	4.75 - 6.45
48		15.20	3.80 - 6.80	5.50 - 7.20	4.80 - 6.80	3.80 - 6.80	5.50 - 7.20
40		15.70	4.30 - 7.30	6.00 - 7.70	5.30 - 7.30	4.30 - 7.30	6.00 - 7.70
65		16.40	5.00 - 8.00	6.70 - 8.40	6.00 - 8.00	5.00 - 8.00	6.70 - 8.40
09		17.10	5.70 - 8.70	7.40 - 9.10	6.70 - 8.70	5.70 - 8.70	7.40 - 9.10
02*		5.75	4.30	1.60 MIN	1.60 MIN	1.60 MIN	1.60 MIN
44	12.20		2.95 - 3.80	2.95 - 4.20	2.95 - 3.80	2.95 - 3.80	2.95 - 4.20
31	12.95		2.95 - 4.55	3.25 - 4.95	2.95 - 4.55	2.95 - 4.55	3.25 - 4.95
06	13.70		2.95 - 5.30	4.00 - 5.70	3.30 - 5.30	2.95 - 5.30	4.00 - 5.70
36	14.45		3.05 - 6.05	4.75 - 6.45	4.05 - 6.05	3.05 - 6.05	4.75 - 6.45
49	15.20		3.80 - 6.80	5.50 - 7.20	4.80 - 6.80	3.80 - 6.80	5.50 - 7.20
25	15.70		4.30 - 7.30	6.00 - 7.70	5.30 - 7.30	4.30 - 7.30	6.00 - 7.70
66	16.40		5.00 - 8.00	6.70 - 8.40	6.00 - 8.00	5.00 - 8.00	6.70 - 8.40
10	17.10		5.70 - 8.70	7.40 - 9.10	6.70 - 8.70	5.70 - 8.70	7.40 - 9.10
03*	6.50		4.30	1.60 MIN	1.60 MIN	1.60 MIN	1.60 MIN
45		12.20	2.95 - 3.80	2.95 - 4.20	2.95 - 3.80	2.95 - 3.80	2.95 - 4.20
32		12.95	2.95 - 4.55	3.25 - 4.95	2.95 - 4.55	2.95 - 4.55	3.25 - 4.95
07		13.70	2.95 - 5.30	4.00 - 5.70	3.30 - 5.30	2.95 - 5.30	4.00 - 5.70
37		14.45	3.05 - 6.05	4.75 - 6.45	4.05 - 6.05	3.05 - 6.05	4.75 - 6.45
50		15.20	3.80 - 6.80	5.50 - 7.20	4.80 - 6.80	3.80 - 6.80	5.50 - 7.20
41		15.70	4.30 - 7.30	6.00 - 7.70	5.30 - 7.30	4.30 - 7.30	6.00 - 7.70
24		16.40	5.00 - 8.00	6.70 - 8.40	6.00 - 8.00	5.00 - 8.00	6.70 - 8.40
11		17.10	5.70 - 8.70	7.40 - 9.10	6.70 - 8.70	5.70 - 8.70	7.40 - 9.10

mat'l code		SEE NOTE 5		tolerances unless otherwise specified		CUSTOMER		FCI		www.fciconnect.com	
lfr	ecm no.	dr	date	linear	0.X ± .1	projection	COPY	title		VERTICAL SIGNAL HDR 5 ROW PRESS-FIT, SPECIAL LOAD, STD.	
AG				angles	.XXX ± .020			product family		METRAL 1000	
				dr	0° ± 2°		scale	size	dwg no	code	213
				engr	K. BELL 2000-03-29	1:1	A	84817	sheet	4	
				chr	M. HAHN 2000-03-29						
				oppd	M. HAHN 2000-03-29						
sheet index	revision sheet										

REV E - 2004-04-18

PDM: Rev:AG

STATUS:Released

Printed: Dec 17, 2009

cage code 22526

1 | 2

3 |

4

A

A

B

B

1 | 2

3 |

4



This document is the property of and embodies CONFIDENTIAL and PROPRIETARY information of FCJ. No part of the information shown on this document may be used in any way or disclosed to others without the written consent of FCJ. Copyright FCJ.

PIN NO.	DIM A MATING LENGTH	DIM B TAIL LENGTH	PCB THICKNESS RANGE ACCOMMODATED BY PIN LENGTH				
			WHEN MATING TO A 73981 OR 84688 SERIES RECEPTACLE		WHEN MATING TO A 52057 SERIES METRAL 4000 RECEPTACLE		
			ROWS A,B,C,D,E	GROUND ROW	ROWS:A,B,DE	ROW C	GROUND ROW
04*	7.25	4.30	1.60 MIN	1.60 MIN	1.60 MIN	1.60 MIN	1.60 MIN
46		12.20	2.95 - 3.80	2.95 - 4.20	2.95 - 3.80	2.95 - 3.80	2.95 - 4.20
33		12.95	2.95 - 4.55	3.25 - 4.95	2.95 - 4.55	2.95 - 4.55	3.25 - 4.95
08		13.70	2.95 - 5.30	4.00 - 5.70	3.30 - 5.30	2.95 - 5.30	4.00 - 5.70
38		14.45	3.05 - 6.05	4.75 - 6.45	4.05 - 6.05	3.05 - 6.05	4.75 - 6.45
51		15.20	3.80 - 6.80	5.50 - 7.20	4.80 - 6.80	3.80 - 6.80	5.50 - 7.20
42		15.70	4.30 - 7.30	6.00 - 7.70	5.30 - 7.30	4.30 - 7.30	6.00 - 7.70
67		16.40	5.00 - 8.00	6.70 - 8.40	6.00 - 8.00	5.00 - 8.00	6.70 - 8.40
12		17.10	5.70 - 8.70	7.40 - 9.10	6.70 - 8.70	5.70 - 8.70	7.40 - 9.10
19*		8.00	4.30	1.60 MIN	1.60 MIN	1.60 MIN	1.60 MIN
47	12.20		2.95 - 3.80	2.95 - 4.20	2.95 - 3.80	2.95 - 3.80	2.95 - 4.20
34	12.95		2.95 - 4.55	3.25 - 4.95	2.95 - 4.55	2.95 - 4.55	3.25 - 4.95
20	13.70		2.95 - 5.30	4.00 - 5.70	3.30 - 5.30	2.95 - 5.30	4.00 - 5.70
39	14.45		3.05 - 6.05	4.75 - 6.45	4.05 - 6.05	3.05 - 6.05	4.75 - 6.45
52	15.20		3.80 - 6.80	5.50 - 7.20	4.80 - 6.80	3.80 - 6.80	5.50 - 7.20
43	15.70		4.30 - 7.30	6.00 - 7.70	5.30 - 7.30	4.30 - 7.30	6.00 - 7.70
68	16.40		5.00 - 8.00	6.70 - 8.40	6.00 - 8.00	5.00 - 8.00	6.70 - 8.40
21	17.10		5.70 - 8.70	7.40 - 9.10	6.70 - 8.70	5.70 - 8.70	7.40 - 9.10

* STUB PINS - NO REAR PLUG-UP
 ** THE GREATEST RANGE OCCURS WHEN THE B DIMENSION OF PIN 'GND' IS ONE SIZE SHORTER THEN THE OTHER PINS.

mat'l code: SEE NOTE 5				tolerances unless otherwise specified		CUSTOMER		FCJ www.fcjconnect.com	
ltr	ecm no.	dr	date	linear	0.X ± .1	COPY		title	
AG					.XX ± .05	projection		VERTICAL SIGNAL HDR 5 ROW PRESS-FIT, SPECIAL LOAD, STD.	
				angles	.XXX ± .020	MM		product family	
				dr	0° ± 2°	scale		METRAL 1000	
				enr		1:1		code	
				ctr	K. BELL 2000-03-29	A		213	
				oppd	M. HAHN 2000-03-29			sheet	
					M. HAHN 2000-03-29			5	
sheet index	revision sheet								

5.00 MIN-8.00 MAX

Pro/E

PDM: Rev:AG

STATUS:Released

Printed: Dec 17, 2009

cage code 22526



This document is the property of and embodies CONFIDENTIAL and PROPRIETARY information of FCI. No part of the information shown on this document may be used in any way or disclosed to others without the written consent of FCI. Copyright FCI.

SPECIAL LOAD PATTERNS		
PRODUCT #	ROW	PIN CODES
84817-XY001 SEE NOTE 15 LEAD FREE OPTION	E	01
	D	
	C	
	B	
	A	
GND		
84817-XY002 *RPU SEE NOTE 15 LEAD FREE OPTION	E	22
	D	
	C	
	B	
	A	
GND		
84817-XY011 SEE NOTE 15 LEAD FREE OPTION	E	02
	D	
	C	
	B	
	A	
GND	01	
84817-XY021 SEE NOTE 15 LEAD FREE OPTION	E	02
	D	
	C	
	B	
	A	
GND		
84817-XY022 SEE NOTE 15 LEAD FREE OPTION	E	02
	D	
	C	
	B	
	A	
GND		
84817-XY023 SEE NOTE 15 LEAD FREE OPTION	E	02
	D	04
	C	02
	B	
	A	
GND		
84817-XY024 *RPU SEE NOTE 15 LEAD FREE OPTION	E	06
	D	08
	C	
	B	
	A	06
GND		
84817-XY025 *RPU SEE NOTE 15 LEAD FREE OPTION	E	06
	D	
	C	
	B	
	A	
GND	01	

PCB THICKNESS RANGE FOR REAR PLUG UP APPLICATIONS: 2.95 TO 3.80mm

PCB THICKNESS RANGE FOR REAR PLUG UP APPLICATIONS: 4.00 TO 5.30mm

PCB THICKNESS RANGE FOR REAR PLUG UP APPLICATIONS: *2.30-3.30 TO 5.30mm

SPECIAL LOAD PATTERNS		
PRODUCT #	ROW	PIN CODES
84817-XY026 *RPU SEE NOTE 15 LEAD FREE OPTION	E	22
	D	
	C	
	B	
	A	
GND	01	
84817-XY027 *RPU SEE NOTE 15 LEAD FREE OPTION	E	44
	D	
	C	
	B	
	A	
GND		
84817-XY028 SEE NOTE 15 LEAD FREE OPTION	E	01
	D	03
	C	
	B	
	A	01
GND		
84817-XY029 SEE NOTE 15 LEAD FREE OPTION	E	02
	D	03
	C	
	B	02
	A	02
GND	01	
84817-XY030 *RPU SEE NOTE 15 LEAD FREE OPTION	E	06
	D	07
	C	
	B	06
	A	06
GND	01	
84817-XY031 *RPU SEE NOTE 15 LEAD FREE OPTION	E	25
	D	02
	C	02
	B	25
	A	25
GND	02	

PCB THICKNESS RANGE FOR REAR PLUG UP APPLICATIONS: 2.95 TO 3.80mm

PCB THICKNESS RANGE FOR REAR PLUG UP APPLICATIONS: 2.95 TO 3.80mm

PCB THICKNESS RANGE FOR REAR PLUG UP APPLICATIONS: 2.95 TO 3.80mm

PCB THICKNESS RANGE FOR REAR PLUG UP APPLICATIONS: 2.95 TO 3.80mm

mat'l code SEE NOTE 5		tolerances unless otherwise specified		CUSTOMER	www.fciconnect.com
lfr	ecm no.	dr	date	COPY	
AG				projection	title VERTICAL SIGNAL HDR 5 ROW PRESS-FIT, SPECIAL LOAD, STD.
				linear 0.XX ±.1	
				angles 0° ±2°	product family METRAL 1000
		dr	K. BELL 2000-03-29	MM	code 213
		engr	M. HAHN 2000-03-29	scale	sheet 6
		chr	M. HAHN 2000-03-29	1:1	
		appd	M. HAHN 2000-03-29		
sheet	revision				
index	sheet				

REV E - 2006-04-18

Pro/E

PDM: Rev:AG

STATUS:Released

Printed: Dec 17, 2009

cage code 22526

1 | 2

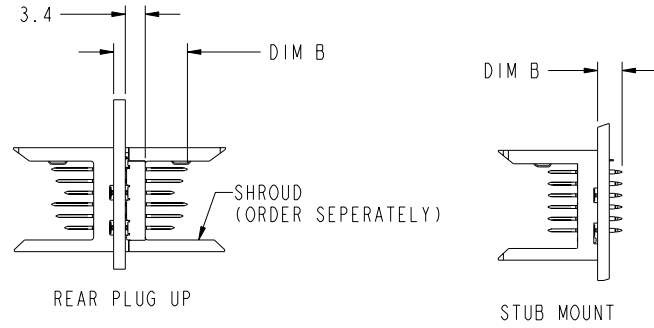
3 |

4

SPECIAL LOAD PATTERNS		
PRODUCT #	ROW	PIN CODES
84817-XY032 SEE NOTE 15 LEAD FREE OPTION	E	22
	D	
	C	45
	B	
	A	
GND	22	
84817-XY033 *RPU SEE NOTE 15 LEAD FREE OPTION	E	06
	D	
	C	
	B	30
	A	
GND	30	
84817-XY034 SEE NOTE 15 LEAD FREE OPTION	E	03
	D	
	C	
	B	02
	A	
GND	02	
84817-XY035 SEE NOTE 15 LEAD FREE OPTION	E	01
	D	
	C	
	B	-
	A	
GND	01	
84817-XY036 *RPU SEE NOTE 15 LEAD FREE OPTION	E	22
	D	
	C	01
	B	
	A	
GND	22	
84817-XY037 SEE NOTE 15 LEAD FREE OPTION	E	01
	D	
	C	
	B	02
	A	
GND	02	
84817-XY038 *RPU SEE NOTE 15 LEAD FREE OPTION	E	49
	D	
	C	
	B	36
	A	
GND	06	
84817-XY039 *RPU SEE NOTE 15 LEAD FREE OPTION	E	36
	D	
	C	
	B	06
	A	
GND	06	

PCB THICKNESS
RANGE FOR REAR
PLUG UP
APPLICATIONS:
2.95 TO 3.80mm

PCB THICKNESS
RANGE FOR REAR
PLUG UP
APPLICATIONS:
4.80 TO 6.80mm



mat'l code		SEE NOTE 5		tolerances unless otherwise specified		CUSTOMER		FCJ		www.fciconnect.com	
lfr	ecm no.	dr	date	linear	0.X ± .1	projection	COPY		title		
AG					.XXX ± .05				VERTICAL SIGNAL HDR 5 ROW PRESS-FIT, SPECIAL LOAD, STD.		
				angles	.XXX ± .020				product family		
				dr	0° ± 2°	MM			METRAL 1000		
				enr	K. BELL 2000-03-29	scale			code		
				chr	M. HAHN 2000-03-29	1:1			213		
				oppd	M. HAHN 2000-03-29				sheet		
sheet index	revision sheet								7		



This document is the property of and embodies CONFIDENTIAL and PROPRIETARY information of FCJ. No part of the information shown on this document may be used in any way or disclosed to others without the written consent of FCJ. Copyright FCJ.

REV E - 2006-04-18

1 | 2

3 |

4

Pro/E

PDM: Rev:AG STATUS:Released Printed: Dec 17, 2009

cage code 22526