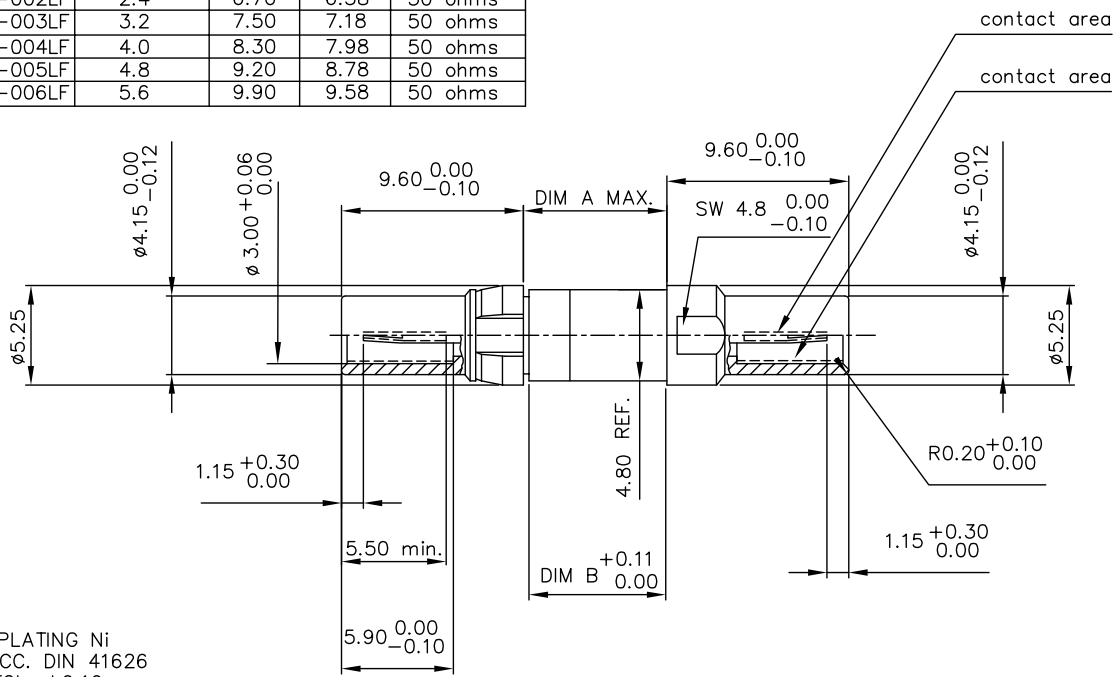


This data, including drawings, is the property of FCI b.v. and is not to be used, reproduced or transmitted in any form or by any means, electronic or mechanical, including photocopying, recording, or by any information storage and retrieval system, without written permission from FCI b.v.

PRODUCT NUMBER	PCB THICKNESS	DIM A	DIM B	IMPEDANCE
70200-001LF	1.6	5.90	5.58	50 ohms
70200-002LF	2.4	6.70	6.38	50 ohms
70200-003LF	3.2	7.50	7.18	50 ohms
70200-004LF	4.0	8.30	7.98	50 ohms
70200-005LF	4.8	9.20	8.78	50 ohms
70200-006LF	5.6	9.90	9.58	50 ohms



- NOTES:
- 1 UNDERPLATING Ni
 - 2 DIM. ACC. DIN 41626
 - 3 GEN. TOL. ±0.10
 - 4 THIS PRODUCT WITH "LF" SUFFIX MEETS EUROPEAN UNION DIRECTIVES AND OTHER COUNTRY REGULATIONS AS DESCRIBED IN GS -22-008.
 - 5 THE PRODUCT IS NOT INTENDED TO BE EXPOSED TO A MANUFACTURE AND SOLDER PROCESS.

1.3µm Au MIN
PLATING CONTACT AREA

mat'l. code		tolerances unless otherwise specified		CUSTOMER COPY		FCI ELECTRONICS	
ltr	ecn no	dr	date	linear	projection	title	www.fciconnect.com
A	H00365	DAN	900718			FEMALE/FEMALE	
B	H00367	DAN	900731			Coax Coupler 50ohms	
C	H00495	DAN	901022	angles		product family	ETRAL(tm)
D	H20350	DAN	920305	dr	D ANDREWS	900718	code
E	H50483	RVI	950828	eng	P SCHALK	950821	213
F	p005-0342	CLU	050920	chr	A v Zanten	900718	sheet
				app	H v Woensel	900718	1 of 1
sheet index	revision sheet	F	1				

PDM: Rev:F STATUS Released Printed: Oct 01, 2000