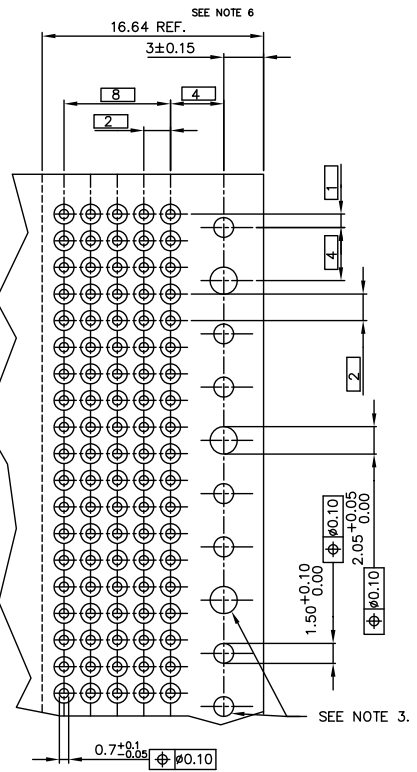
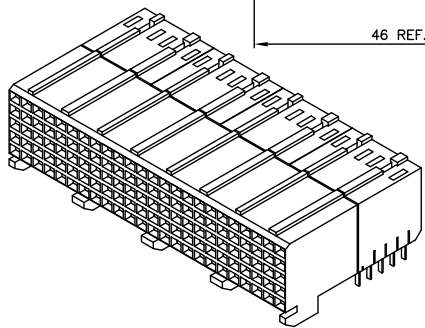
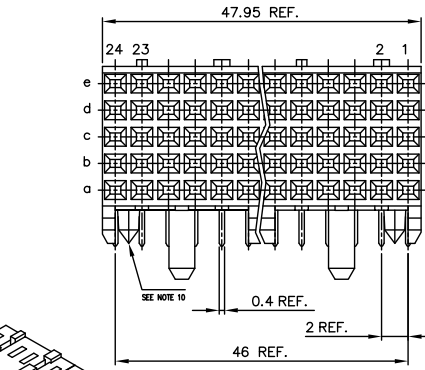
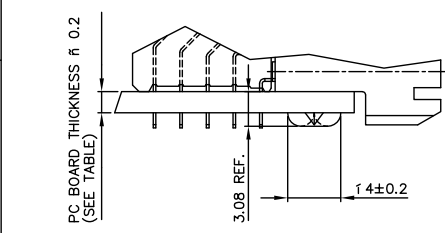
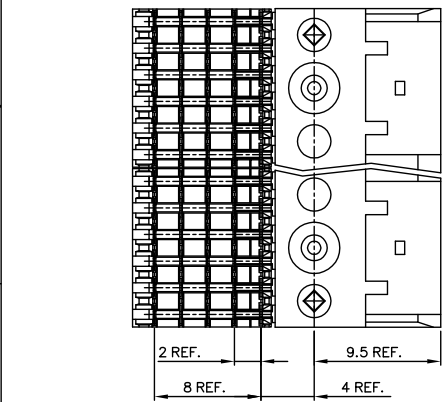
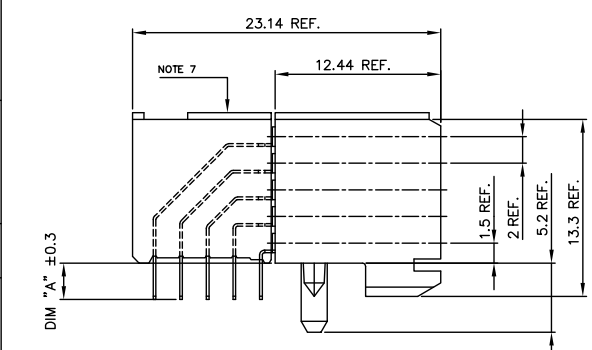


| PC BOARD VERSIONS | | |
|-------------------|---------------|---------|
| PRODUCT NR: | PCB THICKNESS | DIM "A" |
| 89015-X02/X02LF | 1.6 | 2.90 |
| 89015-X12/X12LF | 2.4 | 3.53 |

| PLATING CONTACT AREA: | |
|-----------------------|-------------------|
| DASH NR: | PERFORMANCE LEVEL |
| -1Y/1Y1LF | TELECORDIA CO |
| -2Y/2Y1LF | CUSTOMER SPECIAL |
| -3Y/3Y1LF | CUSTOMER SPECIAL |



- NOTES:
- BODY MATL: LIQUID CRYSTAL POLYMER 30% GLASS
 - FLAME RETARDANT ACC. UL 94-V0
 - TERMINAL MATERIAL: PHOSPHOR BRONZE.
 - INDICATED HOLES ARE UNPLATED.
 - PLATING OF SOLDER TAILS 2-8 um SnPb 90-97 OR 2-8 um PURE Sn FOR LEAD FREE.
 - PRODUCT MARKING: PART NUMBER & BATCH ID.
 - SET BACK FOR TAIL BLOCK.
 - TOP SURFACE OF PRESS BLOCK MAY EXTEND UP TO 0.4MM HIGHER THAN HOUSING. THIS MAY AFFECT THE TAIL LENGTH BEFORE APPLICATION TO A BOARD.
 - THIS PRODUCT MEETS EUROPEAN UNION DIRECTIVES AND OTHER COUNTRY REGULATIONS AS DESCRIBED IN GS-22-008.
 - THE HOUSING WILL WITHSTAND EXPOSURE TO 260DEGREE PEAK TEMPERATURE FOR 10 SECONDS IN A WAVE SOLDER APPLICATION.
 - DIAMOND LOCATION PEG ARE ONLY EXISTED ON THE BOTH SIDES OF PRODUCT.

| maFL code | | tolerances unless otherwise specified | | CUSTOMER COPY | |
|-----------|-----------|---------------------------------------|----------|---------------|---|
| litr | accr no | dr | date | projection | title |
| A | 1440121 | lvaci | 940209 | | 5 ROW R.A. S.T.B. SIGNAL RECEPT. 48 mm MODULE |
| B | 1440487 | 0008 | 940802 | | product family |
| C | V00578 | LILA | 000316 | angles | NETRAL (tm) |
| D | V00850 | 00VY | 000512 | dr | code |
| E | 2004-0104 | Clu | 041223 | kl06 | 213 |
| F | 0009-0170 | Canh | 05/22/07 | chr | scale |
| G | 0009-0088 | Canh | 06/08/08 | app | 5:1 |
| sheet | revision | G | | | A2 |
| index | sheet | 1 | | | 89015 |

All rights reserved. Reproduction in whole or in part without the written permission of FCI is prohibited. © FCI Inc.

