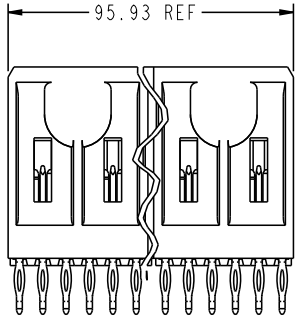
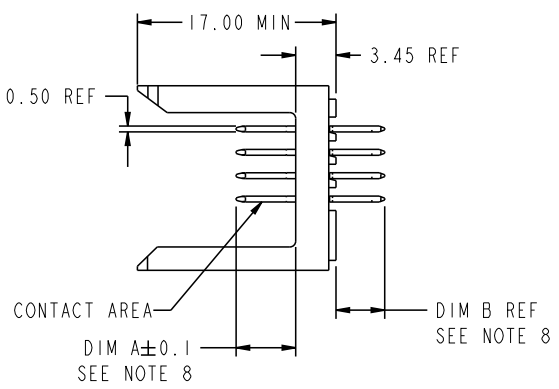
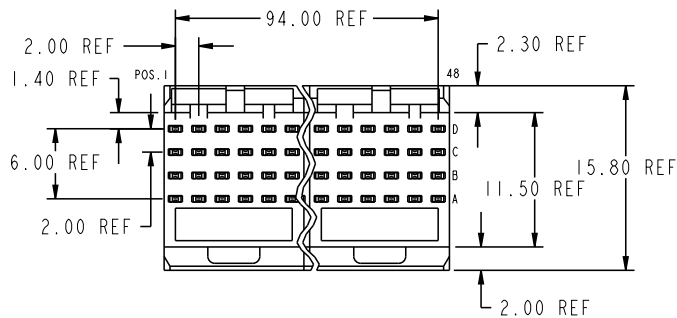




This document is the property of and embodies CONFIDENTIAL and PROPRIETARY information of FCI. No part of the information shown on this document may be used in any way or disclosed to others without the written consent of FCI. Copyright FCI.

PRODUCT NUMBER  
SEE TABLE



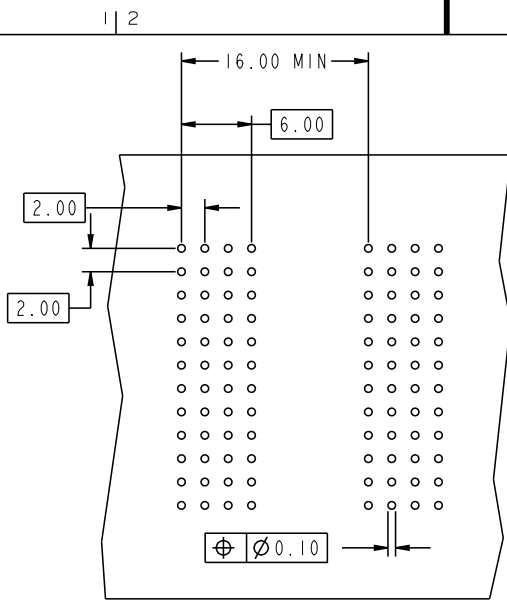
mat'l code				tolerances unless otherwise specified				CUSTOMER				FCI			
ltr	ecm no.	dr	date	linear	0.X ±0.3	projection	COPY				www.fciconnect.com				
AP	V06-0569	DCH	2006-06-13	linear	0.XX ±0.13	projection	title				METRAL SIGNAL HEADER				
AR	DG07-0487	Cenh	12/05/07		.XXX ±.051	projection	8 MOD, 4 ROW PRESS-FIT								
AS	DG09-0256	TER	2009-08-19	angles	Ø ±.2	projection	product family				METRAL				
-	-	-	-	dr	T. BRUNGARD	11/19/99	size				213				
AL	V03-1321	DAI	01/15/04	engr	M. STRAWSER	11/19/99	scale				88924				
AM	V04-0794	TAB	08/13/04	chr	M. STRAWSER	11/19/99	sheet				1 of 13				
AN	V05-0370	DPU	06/02/05	oppd	M. STRAWSER	02/29/00	code				22526				
sheet index	revision sheet	AS	AS	AS	AS	AS	AS	AS	AS	AS	AS	AS	AS	AS	AS

REV E - 2006-04-18

PDM: Rev:AS STATUS:Released Printed: Sep 16, 2009



This document is the property of and embodies CONFIDENTIAL and PROPRIETARY information of FCI. No part of the information shown on this document may be used in any way or disclosed to others without the written consent of FCI. Copyright FCI.



REQUIRED PC BOARD LAYOUT  
COMPONENT SIDE

SEE PRINT 58351 FOR  
ADDITIONAL PCB INFORMATION

KEY		
CODE	DIMENSIONS	
	DIM "A" MATE	DIM "B" TAIL
1	5.00	4.30
2	5.75	4.30
3	6.50	4.30
4	7.25	4.30
5	5.00	13.60
6	5.75	13.60
7	6.50	13.60
13	8.25	4.30
14	8.25	13.60
19	8.00	4.30
20	8.00	13.60
22	5.00	12.10
25	5.75	15.60
40	5.00	15.60

mat'l code		--		tolerances unless otherwise specified		CUSTOMER		FCI		www.fciconnect.com	
lfr	ecm no.	dr	date	linear	0.X ±0.3	projection	COPY	title	METRAL SIGNAL HEADER		
AS					0.XX ±0.13	MM		8 MOD, 4 ROW PRESS-FIT			
				angles	.XXX ±.051	scale		product family	METRAL		
				dr	Ø ±2°	2:1		size	88924		
				engr	T. BRUNGARD 11/19/99			code	213		
				chr	M. STRAWSER 11/19/99			sheet	2		
				appd	M. STRAWSER 02/29/00			code code	22526		
sheet index	revision sheet										

PDM: Rev:AS

STATUS:Released

Printed: Sep 16, 2009



This document is the property of and embodies CONFIDENTIAL and PROPRIETARY information of FCI. No part of the information shown on this document may be used in any way or disclosed to others without the written consent of FCI. Copyright FCI.

PRODUCT NUMBER	DESCRIPTION	PLATING IN PRESS FIT TAIL AREA	PERFORMANCE LEVEL OF PLATING IN CONTACT AREA
88924-N1YY	STANDARD	TIN LEAD	TELCORDIA CO (NXT)
88924-N5YY	STANDARD	TIN LEAD	TELCORDIA UE (NXT)
88924-1YY	STANDARD	TIN LEAD	TELCORDIA CO
88924-2YY	STANDARD	TIN LEAD	TELECOM CLASS
88924-3YY	STANDARD	TIN LEAD	IEC CLASS I
88924-5YY	STANDARD	TIN LEAD	TELCORDIA UE
88924-N1YYLF	LEAD FREE	TIN	TELCORDIA CO (NXT), IEC CLASS I, SEE NOTES 9 AND 10
88924-N5YYLF	LEAD FREE	TIN	TELCORDIA UE (NXT) SEE NOTES 9 AND 10
88924-1YYLF	LEAD FREE	TIN	TELCORDIA CO, IEC CLASS I, SEE NOTES 9 AND 10
88924-2YYLF	LEAD FREE	TIN	TELECOM CLASS, SEE NOTES 9 AND 10
88924-5YYLF	LEAD FREE	TIN	TELCORDIA UE, SEE NOTES 9 AND 10

**NOTES:**

1. FOR DIM A, AND B SEE SHEET 2 AND UP.
2. BODY MATERIAL: LIQUID CRYSTAL POLYMER 30 % GLASS. FLAME RETARDANT ACC. UL 94-V0.
3. PIN MATERIAL: PHOSPHOR BRONZE.
4. PLATING ON PRESS-FIT AREA: SEE PRODUCT NUMBER TABLE. PLATING ON CONTACT AREA CONFORMS TO PERFORMANCE LEVEL SHOWN IN TABLE ON SHEETS.
5. PRODUCT MARKING: PART NUMBER DESIGNATION & BATCH I.D.
6. ALL PRODUCTS WITH PART NUMBERS SHOWN IN SUBSEQUENT TABLES WILL BE PACKAGED IN TUBES. IF TRAY PACKAGING IS REQUIRED, A SUFFIX "P" WILL BE ADDED TO THE END OF THE PART NUMBER. EXAMPLE: XXXXX-XXXP OR XXXXX-XXXPLF
7. PRODUCT SPECIFICATION: GS-12-180 APPLICATION SPECIFICATION: BUS-20-073
8. AFTER INSERTION INTO BOARD WITH QUALIFIED TOOLING.
9. THE PRODUCTS WHERE THE PART NUMBER ENDS IN LF MEET THE EUROPEAN UNION DIRECTIVE AND OTHER COUNTRY REGULATIONS AS DESCRIBED IN GS-12-008.
10. ALL THE PRODUCTS EXCEPT THOSE WITH PART NUMBERS CONTAINING 88924-N1---OR 88924-N5---WILL WITHSTAND EXPOSURE TO 260 DEGREES C FOR 60 SECONDS IN A CONVECTION, INFRARED OR VAPOR PHASE REFLOW OVEN. PART NUMBERS 88924-N1---AND 88924-N5--- WILL NOT WITHSTAND REFLOW AND THE Au CONTACT SURFACE OF THE CONTACTS SHALL BE EXPOSED TO A MAXIMUM 140 DEGREES C FOR NO LONGER THAN 15 SECONDS IN A WAVE SOLDER APPLICATION.

mat'l code		SEE NOTES	tolerances unless otherwise specified	CUSTOMER	FCI www.fciconnect.com	
ltr	ecn no.	dr	date	COPY	title	
AS				projection	METRAL SIGNAL HEADER	
		linear	0.X ±0.3		8 MOD, 4 ROW PRESS-FIT	
			0.XX ±0.13		product family	METRAL
		angles	.XXX ±.051		size	dwg no
			0° ±2°		A	88924
		dr	T. BRUNGARD 11/19/99	MM	code	213
		engr	S. XXXXX mm/dd/yy	scale	sheet	3
		chr	M. STRAWSER 11/19/99	11:1		
		appd	M. STRAWSER 02/29/00			
sheet index	revision sheet				code	22526



METRAL P/N	ROW	CONTACT MOD. 1	MOD. 2						MOD. 3						MOD. 4						MOD. 5						MOD. 6						MOD. 7						MOD. 8															
		1	2	3	4	5	6	7	8	9	10	11	12	13	14	15	16	17	18	19	20	21	22	23	24	25	26	27	28	29	30	31	32	33	34	35	36	37	38	39	40	41	42	43	44	45	46	47	48					
88924-X06 AND 88924-X06LF	D	3	2	2	2	3	3	3	3	2	2	3	3	2	2	3	3	1	1	1	3	3	1	1	1	1	1	1	1	1	1	1	1	1	1	1	1	1	1	1	1	1	1	1	1	1	1	1	1	1	1	3		
	C	3	2	2	2	3	3	3	3	2	2	3	3	2	2	3	3	1	1	1	3	3	1	1	1	1	1	1	1	1	1	1	1	1	1	1	1	1	1	1	1	1	1	1	1	1	1	1	1	1	1	1	1	3
	B	3	2	2	2	3	3	3	3	2	2	3	3	2	2	3	3	1	1	1	3	3	1	1	1	1	1	1	1	1	1	1	1	1	1	1	1	1	1	1	1	1	1	1	1	1	1	1	1	1	1	1	1	3
	A	3	2	2	2	3	3	3	3	2	2	3	3	2	2	3	3	1	1	1	3	3	1	1	1	1	1	1	1	1	1	1	1	1	1	1	1	1	1	1	1	1	1	1	1	1	1	1	1	1	1	1	1	3

METRAL P/N	ROW	CONTACT MOD. 1	MOD. 2						MOD. 3						MOD. 4						MOD. 5						MOD. 6						MOD. 7						MOD. 8																	
		1	2	3	4	5	6	7	8	9	10	11	12	13	14	15	16	17	18	19	20	21	22	23	24	25	26	27	28	29	30	31	32	33	34	35	36	37	38	39	40	41	42	43	44	45	46	47	48							
88924-X07 AND 88924-X07LF	D	3	4	3	3	3	3	3	3	3	3	3	3	3	3	3	3	3	3	3	3	3	3	3	3	3	3	3	3	3	3	3	3	3	3	3	3	3	3	3	3	3	3	3	3	3	3	3	3	3	3	3	3	3		
	C	3	4	3	3	3	3	3	3	3	3	3	3	3	3	3	3	3	3	3	3	3	3	3	3	3	3	3	3	3	3	3	3	3	3	3	3	3	3	3	3	3	3	3	3	3	3	3	3	3	3	3	3	3	3	3
	B	3	4	3	3	3	3	3	3	3	3	3	3	3	3	3	3	3	3	3	3	3	3	3	3	3	3	3	3	3	3	3	3	3	3	3	3	3	3	3	3	3	3	3	3	3	3	3	3	3	3	3	3	3	3	3
	A	3	4	3	3	3	3	3	3	3	3	3	3	3	3	3	3	3	3	3	3	3	3	3	3	3	3	3	3	3	3	3	3	3	3	3	3	3	3	3	3	3	3	3	3	3	3	3	3	3	3	3	3	3	3	3

METRAL P/N	ROW	CONTACT MOD. 1	MOD. 2						MOD. 3						MOD. 4						MOD. 5						MOD. 6						MOD. 7						MOD. 8																				
		1	2	3	4	5	6	7	8	9	10	11	12	13	14	15	16	17	18	19	20	21	22	23	24	25	26	27	28	29	30	31	32	33	34	35	36	37	38	39	40	41	42	43	44	45	46	47	48										
88924-X08 AND 88924-X08LF	D	3	3	3	3	3	3	3	3	3	3	3	3	3	3	3	3	3	3	3	3	3	3	3	3	3	3	3	3	3	3	3	3	3	3	3	3	3	3	3	3	3	3	3	3	3	3	3	3	3	3	3	3	3	3	3	3		
	C	3	3	3	3	3	3	3	3	3	3	3	3	3	3	3	3	3	3	3	3	3	3	3	3	3	3	3	3	3	3	3	3	3	3	3	3	3	3	3	3	3	3	3	3	3	3	3	3	3	3	3	3	3	3	3	3	3	3
	B	3	3	3	3	3	3	3	3	3	3	3	3	3	3	3	3	3	3	3	3	3	3	3	3	3	3	3	3	3	3	3	3	3	3	3	3	3	3	3	3	3	3	3	3	3	3	3	3	3	3	3	3	3	3	3	3	3	3
	A	3	3	3	3	3	3	3	3	3	3	3	3	3	3	3	3	3	3	3	3	3	3	3	3	3	3	3	3	3	3	3	3	3	3	3	3	3	3	3	3	3	3	3	3	3	3	3	3	3	3	3	3	3	3	3	3	3	3

METRAL P/N	ROW	CONTACT MOD. 1	MOD. 2						MOD. 3						MOD. 4						MOD. 5						MOD. 6						MOD. 7						MOD. 8																					
		1	2	3	4	5	6	7	8	9	10	11	12	13	14	15	16	17	18	19	20	21	22	23	24	25	26	27	28	29	30	31	32	33	34	35	36	37	38	39	40	41	42	43	44	45	46	47	48											
88924-X09 AND 88924-X09LF	D	3	1	1	1	1	1	1	1	1	1	1	1	1	1	1	1	1	1	1	1	1	1	1	1	1	1	1	1	1	1	1	1	1	1	1	1	1	1	1	1	1	1	1	1	1	1	1	1	1	1	1	1	1	1	1	1	1	1	
	C	3	1	1	1	1	1	1	1	1	1	1	1	1	1	1	1	1	1	1	1	1	1	1	1	1	1	1	1	1	1	1	1	1	1	1	1	1	1	1	1	1	1	1	1	1	1	1	1	1	1	1	1	1	1	1	1	1	1	1
	B	3	1	1	1	1	1	1	1	1	1	1	1	1	1	1	1	1	1	1	1	1	1	1	1	1	1	1	1	1	1	1	1	1	1	1	1	1	1	1	1	1	1	1	1	1	1	1	1	1	1	1	1	1	1	1	1	1	1	1
	A	3	1	1	1	1	1	1	1	1	1	1	1	1	1	1	1	1	1	1	1	1	1	1	1	1	1	1	1	1	1	1	1	1	1	1	1	1	1	1	1	1	1	1	1	1	1	1	1	1	1	1	1	1	1	1	1	1	1	1

METRAL P/N	ROW	CONTACT MOD. 1	MOD. 2						MOD. 3						MOD. 4						MOD. 5						MOD. 6						MOD. 7						MOD. 8																							
		1	2	3	4	5	6	7	8	9	10	11	12	13	14	15	16	17	18	19	20	21	22	23	24	25	26	27	28	29	30	31	32	33	34	35	36	37	38	39	40	41	42	43	44	45	46	47	48													
88924-X10 AND 88924-X10LF	D	1	1	1	1	1	1	1	1	1	1	1	1	1	1	1	1	1	1	1	1	1	1	1	1	1	1	1	1	1	1	1	1	1	1	1	1	1	1	1	1	1	1	1	1	1	1	1	1	1	1	1	1	1	1	1	1	1	1	1	1	
	C	1	1	1	1	1	1	1	1	1	1	1	1	1	1	1	1	1	1	1	1	1	1	1	1	1	1	1	1	1	1	1	1	1	1	1	1	1	1	1	1	1	1	1	1	1	1	1	1	1	1	1	1	1	1	1	1	1	1	1	1	1
	B	1	1	1	1	1	1	1	1	1	1	1	1	1	1	1	1	1	1	1	1	1	1	1	1	1	1	1	1	1	1	1	1	1	1	1	1	1	1	1	1	1	1	1	1	1	1	1	1	1	1	1	1	1	1	1	1	1	1	1	1	1
	A	1	1	1	1	1	1	1	1	1	1	1	1	1	1	1	1	1	1	1	1	1	1	1	1	1	1	1	1	1	1	1	1	1	1	1	1	1	1	1	1	1	1	1	1	1	1	1	1	1	1	1	1	1	1	1	1	1	1	1	1	1

mat'l code --				tolerances unless otherwise specified		CUSTOMER		<b>FCJ</b> www.fcjconnect.com	
lfr	ecr no.	dr	date	linear	0. XX ±0.13	COPY		title	
AS				angles	.XXX ±.051	projection		METRAL SIGNAL HEADER 8 MOD, 4 ROW PRESS-FIT	
					± <sup>0</sup> ± <sup>2</sup>			product family METRAL	
				dr	T. BRUNGARD 11/19/99			size dwg no	
				eng	M. STRAWSER 11/19/99	scale		213	
				chr	M. STRAWSER 11/19/99	1:1		5	
				appd	M. STRAWSER 02/29/00	A		88924	
sheet index	revision	sheet				code code		22526	
								4	

This document is the property of and embodies CONFIDENTIAL and PROPRIETARY information of FCJ. No part of the information shown on this document may be used in any way or disclosed to others without the written consent of FCJ. Copyright FCJ.



This document is the property of and embodies CONFIDENTIAL and PROPRIETARY information of FCI. No part of the information shown on this document may be used in any way or disclosed to others without the written consent of FCI. Copyright FCI.

METRAL P/N	CONTACT CODE MOD. 1					MOD. 2				MOD. 3				MOD. 4				MOD. 5				MOD. 6				MOD. 7				MOD. 8																							
	ROW	1	2	3	4	5	6	7	8	9	10	11	12	13	14	15	16	17	18	19	20	21	22	23	24	25	26	27	28	29	30	31	32	33	34	35	36	37	38	39	40	41	42	43	44	45	46	47	48				
88924-X11 AND 88924-X11LF	D	1	1	1	1	1	1	1	1	1	1	1	1	1	1	1	1	1	1	1	1	1	1	1	1	1	1	1	1	1	1	1	1	1	1	1	1	1	1	1	1	1	1	1	1	1	1	1	1	1			
	C	1	1	1	1	1	1	1	1	1	1	1	1	1	1	1	1	1	1	1	1	1	1	1	1	1	1	1	1	1	1	1	1	1	1	1	1	1	1	1	1	1	1	1	1	1	1	1	1	1	1	1	1
	B	1	1	1	1	1	1	1	1	1	1	1	1	1	1	1	1	1	1	1	1	1	1	1	1	1	1	1	1	1	1	1	1	1	1	1	1	1	1	1	1	1	1	1	1	1	1	1	1	1	1	1	1
	A	1	1	1	1	1	1	1	1	1	1	1	1	1	1	1	1	1	1	1	1	1	1	1	1	1	1	1	1	1	1	1	1	1	1	1	1	1	1	1	1	1	1	1	1	1	1	1	1	1	1	1	1

METRAL P/N	CONTACT CODE MOD. 1					MOD. 2				MOD. 3				MOD. 4				MOD. 5				MOD. 6				MOD. 7				MOD. 8																									
	ROW	1	2	3	4	5	6	7	8	9	10	11	12	13	14	15	16	17	18	19	20	21	22	23	24	25	26	27	28	29	30	31	32	33	34	35	36	37	38	39	40	41	42	43	44	45	46	47	48						
88924-X12 AND 88924-X12LF	D	3	1	1	1	1	1	1	1	1	1	1	1	1	1	1	1	1	1	1	1	1	1	1	1	1	1	1	1	1	1	1	1	1	1	1	1	1	1	1	1	1	1	1	1	1	1	1	1	1	1	1	1		
	C	3	1	1	1	1	1	1	1	1	1	1	1	1	1	1	1	1	1	1	1	1	1	1	1	1	1	1	1	1	1	1	1	1	1	1	1	1	1	1	1	1	1	1	1	1	1	1	1	1	1	1	1	1	1
	B	3	1	1	1	1	1	1	1	1	1	1	1	1	1	1	1	1	1	1	1	1	1	1	1	1	1	1	1	1	1	1	1	1	1	1	1	1	1	1	1	1	1	1	1	1	1	1	1	1	1	1	1	1	1
	A	3	1	1	1	1	1	1	1	1	1	1	1	1	1	1	1	1	1	1	1	1	1	1	1	1	1	1	1	1	1	1	1	1	1	1	1	1	1	1	1	1	1	1	1	1	1	1	1	1	1	1	1	1	1

METRAL P/N	CONTACT CODE MOD. 1					MOD. 2				MOD. 3				MOD. 4				MOD. 5				MOD. 6				MOD. 7				MOD. 8																									
	ROW	1	2	3	4	5	6	7	8	9	10	11	12	13	14	15	16	17	18	19	20	21	22	23	24	25	26	27	28	29	30	31	32	33	34	35	36	37	38	39	40	41	42	43	44	45	46	47	48						
88924-X13 AND 88924-X13LF	D	4	1	1	1	1	1	1	1	1	1	1	1	1	1	1	1	1	1	1	1	1	1	1	1	1	1	1	1	1	1	1	1	1	1	1	1	1	1	1	1	1	1	1	1	1	1	1	1	1	1	1	1	1	
	C	4	1	1	1	1	1	1	1	1	1	1	1	1	1	1	1	1	1	1	1	1	1	1	1	1	1	1	1	1	1	1	1	1	1	1	1	1	1	1	1	1	1	1	1	1	1	1	1	1	1	1	1	1	1
	B	4	1	1	1	1	1	1	1	1	1	1	1	1	1	1	1	1	1	1	1	1	1	1	1	1	1	1	1	1	1	1	1	1	1	1	1	1	1	1	1	1	1	1	1	1	1	1	1	1	1	1	1	1	1
	A	1	2	2	2	2	2	2	2	2	2	2	2	2	2	2	2	2	2	2	2	2	2	2	2	2	2	2	2	2	2	2	2	2	2	2	2	2	2	2	2	2	2	2	2	2	2	2	2	2	2	2	2	2	2

METRAL P/N	CONTACT CODE MOD. 1					MOD. 2				MOD. 3				MOD. 4				MOD. 5				MOD. 6				MOD. 7				MOD. 8																										
	ROW	1	2	3	4	5	6	7	8	9	10	11	12	13	14	15	16	17	18	19	20	21	22	23	24	25	26	27	28	29	30	31	32	33	34	35	36	37	38	39	40	41	42	43	44	45	46	47	48							
88924-X14 AND 88924-X14LF	D	4	4	4	4	4	4	2	2	2	2	2	2	2	2	2	2	2	2	2	2	2	2	2	2	2	2	2	2	2	2	2	2	2	2	2	2	2	2	2	2	2	2	2	2	2	2	2	2	2	2	2	2	2		
	C	3	3	3	3	3	3	2	2	2	2	2	2	2	2	2	2	2	2	2	2	2	2	2	2	2	2	2	2	2	2	2	2	2	2	2	2	2	2	2	2	2	2	2	2	2	2	2	2	2	2	2	2	2	2	2
	B	3	3	3	3	3	3	2	2	2	2	2	2	2	2	2	2	2	2	2	2	2	2	2	2	2	2	2	2	2	2	2	2	2	2	2	2	2	2	2	2	2	2	2	2	2	2	2	2	2	2	2	2	2	2	2
	A	4	4	4	4	4	4	2	2	2	2	2	2	2	2	2	2	2	2	2	2	2	2	2	2	2	2	2	2	2	2	2	2	2	2	2	2	2	2	2	2	2	2	2	2	2	2	2	2	2	2	2	2	2	2	

METRAL P/N	CONTACT CODE MOD. 1					MOD. 2				MOD. 3				MOD. 4				MOD. 5				MOD. 6				MOD. 7				MOD. 8																										
	ROW	1	2	3	4	5	6	7	8	9	10	11	12	13	14	15	16	17	18	19	20	21	22	23	24	25	26	27	28	29	30	31	32	33	34	35	36	37	38	39	40	41	42	43	44	45	46	47	48							
88924-X15 AND 88924-X15LF	D	4	4	4	4	4	4	4	4	4	4	4	4	4	4	4	4	4	2	2	2	2	2	2	2	2	2	2	2	2	2	2	2	2	2	2	2	2	2	2	2	2	2	2	2	2	2	2	2	2	2	2	2	2	2	
	C	3	3	3	3	3	3	3	3	3	3	3	3	3	3	3	3	3	2	2	2	2	2	2	2	2	2	2	2	2	2	2	2	2	2	2	2	2	2	2	2	2	2	2	2	2	2	2	2	2	2	2	2	2	2	
	B	3	3	3	3	3	3	3	3	3	3	3	3	3	3	3	3	3	2	2	2	2	2	2	2	2	2	2	2	2	2	2	2	2	2	2	2	2	2	2	2	2	2	2	2	2	2	2	2	2	2	2	2	2	2	2
	A	4	4	4	4	4	4	4	4	4	4	4	4	4	4	4	4	4	2	2	2	2	2	2	2	2	2	2	2	2	2	2	2	2	2	2	2	2	2	2	2	2	2	2	2	2	2	2	2	2	2	2	2	2	2	

mat'l code		--		tolerances unless otherwise specified		CUSTOMER		FCI	
ltf	ecn no.	dr	date	0, X ±0,3		COPY		www.fciconnect.com	
AS				linear		projection		title	
				0, XX ±0,13				METRAL SIGNAL HEADER	
				.XXX ±.051				8 MOD, 4 ROW PRESS-FIT	
				angles				product family	
				0° ±2°				METRAL	
				dr T. BRUNGARD		11/19/99		code	
				eng M. STRAWSER		11/19/99		213	
				chr M. STRAWSER		11/19/99		sheet	
				appd M. STRAWSER		02/29/00		6	
sheet	revision			scale		1:1		size	
index	sheet			MM				dwg no	
				A		88924		code	
				A				213	

code code 22526

PDM: Rev:AS STATUS:Released Printed: Sep 16, 2009







This document is the property of and embodies CONFIDENTIAL and PROPRIETARY information of FCI. No part of the information shown on this document may be used in any way or disclosed to others without the written consent of FCI. Copyright FCI.



Table with METRAL P/N 88924-X26 AND 88924-X26LF, columns for CONTACT MOD. 1, MOD. 2 through MOD. 8, and ROW 1-4. Values are mostly 6 and 20.

Table with METRAL P/N 88924-X27 AND 88924-X27LF, columns for CONTACT MOD. 1, MOD. 2 through MOD. 8, and ROW 1-4. Values are mostly 2 and 13.

Table with METRAL P/N 88924-X28 AND 88924-X28LF, columns for CONTACT MOD. 1, MOD. 2 through MOD. 8, and ROW 1-4. Values are mostly 6 and 20.

Table with METRAL P/N 88924-X29 AND 88924-X29LF, columns for CONTACT MOD. 1, MOD. 2 through MOD. 8, and ROW 1-4. Values are mostly 2 and 13.

Table with METRAL P/N 88924-X30 AND 88924-X30LF, columns for CONTACT MOD. 1, MOD. 2 through MOD. 8, and ROW 1-4. Values are mostly 6 and 20.

Technical drawing header block containing: mat'l code, tolerances (0.X ±0.3, .XXX ±.05), CUSTOMER COPY, FCI logo, title (METRAL SIGNAL HEADER 8 MOD, 4 ROW PRESS-FIT), product family (METRAL), size (88924), sheet (213), scale (1:1), and sheet index/revision info.

REV E - 2006-04-18

PDM: Rev:AS

STATUS: Released

Printed: Sep 16, 2009

code code 22526





1 | 2

3 |

4

METRAL P/N	ROW	CONTACT CODE MOD. 1					MOD. 2					MOD. 3					MOD. 4					MOD. 5					MOD. 6					MOD. 7					MOD. 8														
		1	2	3	4	5	6	7	8	9	10	11	12	13	14	15	16	17	18	19	20	21	22	23	24	25	26	27	28	29	30	31	32	33	34	35	36	37	38	39	40	41	42	43	44	45	46	47	48		
88924-X41 AND 88924-X41LF	D	19	3	3	3	3	3	3	3	3	3	3	3	3	3	3	3	3	3	3	3	3	3	3	3	3	3	3	3	3	3	3	3	3	3	3	3	3	3	3	3	3	3	3	3	3	3	3	19		
	C	3	3	3	3	3	3	3	3	3	3	3	3	3	3	3	3	3	3	3	3	3	3	3	3	3	3	3	3	3	3	3	3	3	3	3	3	3	3	3	3	3	3	3	3	3	3	3	3	3	3
	A	19	3	3	3	3	3	3	3	3	3	3	3	3	3	3	3	3	3	3	3	3	3	3	3	3	3	3	3	3	3	3	3	3	3	3	3	3	3	3	3	3	3	3	3	3	3	3	3	3	19

METRAL P/N	ROW	CONTACT CODE MOD. 1					MOD. 2					MOD. 3					MOD. 4					MOD. 5					MOD. 6					MOD. 7					MOD. 8															
		1	2	3	4	5	6	7	8	9	10	11	12	13	14	15	16	17	18	19	20	21	22	23	24	25	26	27	28	29	30	31	32	33	34	35	36	37	38	39	40	41	42	43	44	45	46	47	48			
88924-X42 AND 88924-X42LF	D	25	25	25	25	25	25	25	25	25	25	25	25	25	25	25	25	25	25	25	25	25	25	25	25	25	25	25	25	25	25	25	25	25	25	25	25	25	25	25	25	25	25	25	25	25	25	25	25	25		
	C	25	25	25	25	25	25	25	25	25	25	25	25	25	25	25	25	25	25	25	25	25	25	25	25	25	25	25	25	25	25	25	25	25	25	25	25	25	25	25	25	25	25	25	25	25	25	25	25	25	25	25
	A	25	25	25	25	25	25	25	25	25	25	25	25	25	25	25	25	25	25	25	25	25	25	25	25	25	25	25	25	25	25	25	25	25	25	25	25	25	25	25	25	25	25	25	25	25	25	25	25	25	25	25

METRAL P/N	ROW	CONTACT CODE MOD. 1					MOD. 2					MOD. 3					MOD. 4					MOD. 5					MOD. 6					MOD. 7					MOD. 8														
		1	2	3	4	5	6	7	8	9	10	11	12	13	14	15	16	17	18	19	20	21	22	23	24	25	26	27	28	29	30	31	32	33	34	35	36	37	38	39	40	41	42	43	44	45	46	47	48		
88924-X43 AND 88924-X43LF	D	1	1	1	1	1	1	1	1	1	1	1	1	1	1	1	1	1	1	1	1	1	1	1	1	1	1	1	1	1	1	1	1	1	1	1	1	1	1	1	1	1	1	1	1	1	1	1	1	1	
	C	1	1	1	1	1	1	1	1	1	1	1	1	1	1	1	1	1	1	1	1	1	1	1	1	1	1	1	1	1	1	1	1	1	1	1	1	1	1	1	1	1	1	1	1	1	1	1	1	1	1
	A	1	1	1	1	1	1	1	1	1	1	1	1	1	1	1	1	1	1	1	1	1	1	1	1	1	1	1	1	1	1	1	1	1	1	1	1	1	1	1	1	1	1	1	1	1	1	1	1	1	1

METRAL P/N	ROW	CONTACT CODE MOD. 1					MOD. 2					MOD. 3					MOD. 4					MOD. 5					MOD. 6					MOD. 7					MOD. 8															
		1	2	3	4	5	6	7	8	9	10	11	12	13	14	15	16	17	18	19	20	21	22	23	24	25	26	27	28	29	30	31	32	33	34	35	36	37	38	39	40	41	42	43	44	45	46	47	48			
88924-X44 AND 88924-X44LF	D	5	5	5	5	5	5	5	5	5	5	5	5	5	5	5	5	5	5	5	5	5	5	5	5	5	5	5	5	5	5	5	5	5	5	5	5	5	5	5	5	5	5	5	5	5	5	5	5	5	5	
	C	5	5	5	5	5	5	5	5	5	5	5	5	5	5	5	5	5	5	5	5	5	5	5	5	5	5	5	5	5	5	5	5	5	5	5	5	5	5	5	5	5	5	5	5	5	5	5	5	5	5	5
	A	5	5	5	5	5	5	5	5	5	5	5	5	5	5	5	5	5	5	5	5	5	5	5	5	5	5	5	5	5	5	5	5	5	5	5	5	5	5	5	5	5	5	5	5	5	5	5	5	5	5	5

METRAL P/N	ROW	CONTACT CODE MOD. 1					MOD. 2					MOD. 3					MOD. 4					MOD. 5					MOD. 6					MOD. 7					MOD. 8														
		1	2	3	4	5	6	7	8	9	10	11	12	13	14	15	16	17	18	19	20	21	22	23	24	25	26	27	28	29	30	31	32	33	34	35	36	37	38	39	40	41	42	43	44	45	46	47	48		
88924-X45 AND 88924-X45LF	D	1	1	1	1	1	1	1	1	1	1	1	1	1	1	1	1	1	1	1	1	1	1	1	1	1	1	1	1	1	1	1	1	1	1	1	1	1	1	1	1	1	1	1	1	1	1	1	1	1	
	C	1	1	1	1	1	1	1	1	1	1	1	1	1	1	1	1	1	1	1	1	1	1	1	1	1	1	1	1	1	1	1	1	1	1	1	1	1	1	1	1	1	1	1	1	1	1	1	1	1	1
	A	3	3	1	1	1	1	1	1	1	1	1	1	1	1	1	1	1	1	1	1	1	1	1	1	1	1	1	1	1	1	1	1	1	1	1	1	1	1	1	1	1	1	1	1	1	1	1	1	3	

mat'l code			SEE NOTES			tolerances unless otherwise specified			CUSTOMER			FCJ www.fcjconnect.com		
ltr	ecm no.	dr	date			linear	.xx ± .01			COPY			title	
AS						angles	.xxx ± .005			projection				METRAL SIGNAL HEADER
						dr	.xxx ± .0020			MM			product family	
						chr	0° ± 2°			scale				METRAL
						oppd	T. BRUNGARD 11/19/99			11:1			code	
							M. STRAWSER 11/19/99			size				213
							M. STRAWSER 11/19/99			A			sheet	
							M. STRAWSER 02/29/00			88924				12
sheet index	revision	sheet												

code code 22526

Pro/E

3 |

4

PDM: Rev:AS STATUS:Released Printed: Sep 16, 2009



This document is the property of and embodies CONFIDENTIAL and PROPRIETARY information of FCJ. No part of the information shown on this document may be used in any way or disclosed to others without the written consent of FCJ. Copyright FCJ.

REV E - 2006-04-18



This document is the property of and embodies CONFIDENTIAL and PROPRIETARY information of FCJ. No part of the information shown on this document may be used in any way or disclosed to others without the written consent of FCJ. Copyright FCJ.

METRAL P/N	ROW	CONTACT MOD. 1				MOD. 2				MOD. 3				MOD. 4				MOD. 5				MOD. 6				MOD. 7				MOD. 8																					
		1	2	3	4	5	6	7	8	9	10	11	12	13	14	15	16	17	18	19	20	21	22	23	24	25	26	27	28	29	30	31	32	33	34	35	36	37	38	39	40	41	42	43	44	45	46	47	48		
88924-X46	D	1	1	3	1	1	1	1	1	1	3	1	1	1	1	3	1	1	1	1	1	1	1	1	1	1	1	1	1	1	1	1	1	1	1	1	1	1	3	3	1	1	1	3	3	1	1	1	1		
	C	1	1	3	1	1	1	1	1	1	3	1	1	1	1	3	1	1	1	1	1	1	1	1	1	1	1	1	1	1	1	1	1	1	1	1	1	1	1	3	3	1	1	1	3	3	1	1	1	1	
	B	1	1	3	1	1	1	1	1	1	3	1	1	1	1	3	1	1	1	1	1	1	1	1	1	1	1	1	1	1	1	1	1	1	1	1	1	1	1	1	3	3	1	1	1	3	3	1	1	1	1
88924-X46LF	A	1	1	1	1	1	1	1	1	3	1	1	1	1	3	1	1	1	1	1	1	1	1	1	1	1	1	1	1	1	1	1	1	1	1	1	1	1	1	1	1	1	1	1	1	1	1	1	1	1	1

METRAL P/N	ROW	CONTACT MOD. 1				MOD. 2				MOD. 3				MOD. 4				MOD. 5				MOD. 6				MOD. 7				MOD. 8																							
		1	2	3	4	5	6	7	8	9	10	11	12	13	14	15	16	17	18	19	20	21	22	23	24	25	26	27	28	29	30	31	32	33	34	35	36	37	38	39	40	41	42	43	44	45	46	47	48				
88924-X47	D	1	1	3	1	1	1	1	1	3	1	1	1	1	3	1	1	1	1	1	1	1	1	1	1	1	1	1	1	1	1	1	1	1	1	1	1	1	1	1	1	1	1	1	1	1	1	1	1	1			
	C	1	1	3	1	1	1	1	1	3	1	1	1	1	3	1	1	1	1	1	1	1	1	1	1	1	1	1	1	1	1	1	1	1	1	1	1	1	1	1	1	1	1	1	1	1	1	1	1	1	1	1	
	B	1	1	3	1	1	1	1	1	1	3	1	1	1	1	3	1	1	1	1	1	1	1	1	1	1	1	1	1	1	1	1	1	1	1	1	1	1	1	1	1	1	1	1	1	1	1	1	1	1	1	1	1
88924-X47LF	A	1	1	1	1	1	1	1	1	3	1	1	1	1	3	1	1	1	1	1	1	1	1	1	1	1	1	1	1	1	1	1	1	1	1	1	1	1	1	1	1	1	1	1	1	1	1	1	1	1	1	1	1

mat'l code		SEE NOTES		tolerances unless otherwise specified		CUSTOMER COPY		 www.fcjconnect.com	
lfr	ecm no.	dr	date	linear		projection		title METRAL SIGNAL HEADER	
AS				angles				8 MOD, 4 ROW PRESS-FIT	
				dr	T. BRUNGARD	11/19/99		product family	METRAL
				engr	S. XXXXXX	mm/dd/yy		size	
				chr	M. STRAWSER	11/19/99	scale	dwg no	213
				oppd	M. STRAWSER	02/29/00	11:1	88924	sheet 13
sheet index	revision sheet								

REV E - 2006-04-18

PDM: Rev:AS

STATUS:Released

Printed: Sep 16, 2009

code code 22526