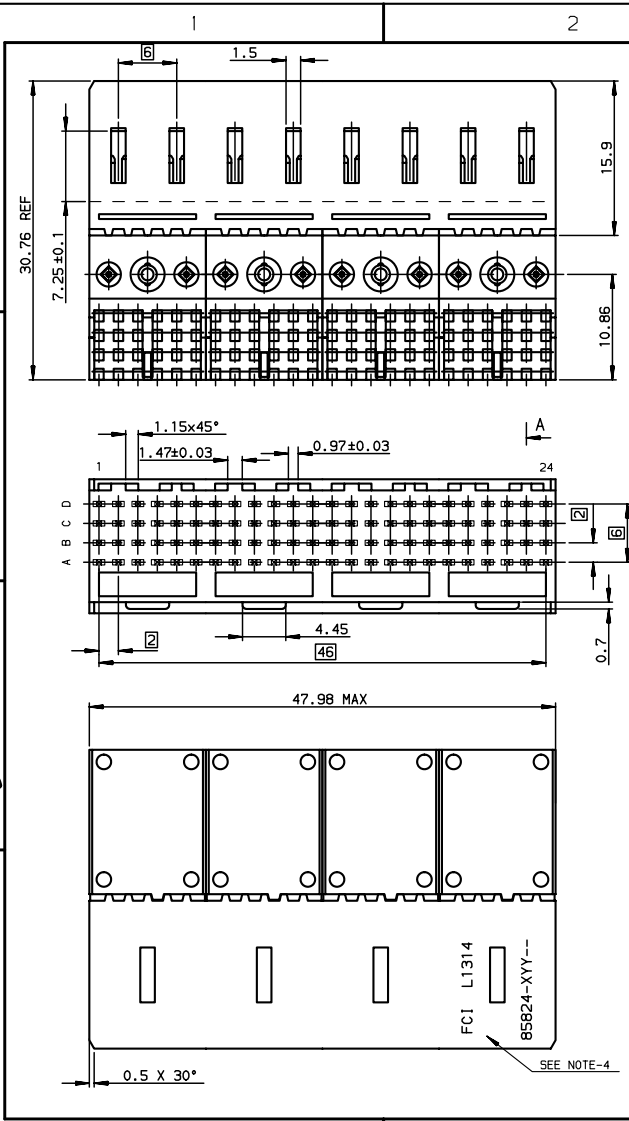


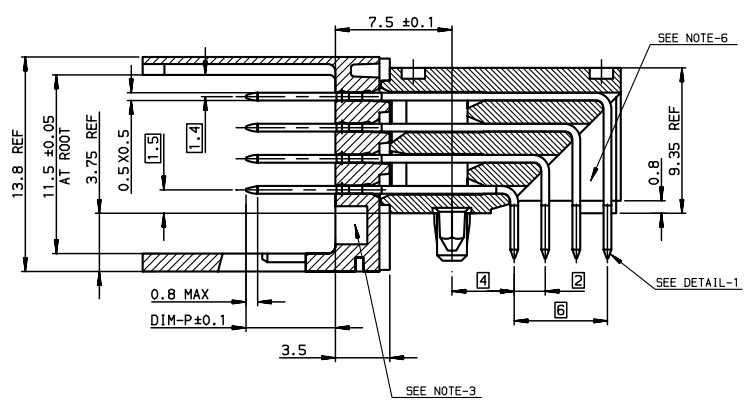
Copyright FCI.



GENERAL CHARACTERISTICS AND ROHS INFORMATIONS:
SEE PRODUCT SPECIFICATION: 6S-12-446

- NOTE-2: ONE CENTER PEG FOR HOLD DOWN FORCE
- NOTE-3: CODING RECESS FOR 8MM EXTENDED KEYS
- NOTE-4: PRODUCT MARKING = PRODUCT NUMBER + FCI+DATE CODE
- NOTE-5: PLATING ON MATING PART : SEE PROD. SPEC 6S-12-446
- NOTE-6: CENTRAL WALL WITH END REAR SUPPORT
- NOTE-7: STANDARD PACKAGING IS TUBE ,BUT IF SUFFIX "P" IS ADDED IN P/N,PACKAGING IS IN TRAYS,MARKING IS WITHOUT "P"
 Example: 85824-1xxPLF ,marking 85824-1xxLF

SECTION-A SCALE 4/1



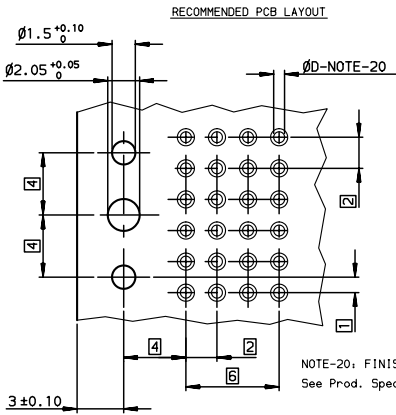
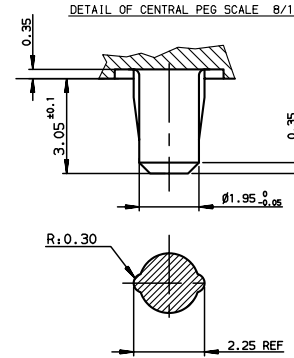
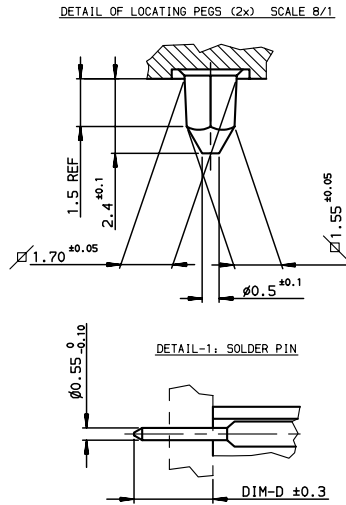
OTHERS INFORMATIONS,SEE DRW 85824-2

European Views

www.fciconnect.com		surface ISO 1302	tolerance std ISO 406 ISO 1101	projection A3	mm
TOLERANCES UNLESS OTHERWISE SPECIFIED					
Dr	LENOIR	1994/04/21	ANGULAR	0.X	± 0.1
Eng	LENOIR	1994/04/21	LINEAR	0.XX	± 0.1
Chr	LEGARE	1994/04/21	0.III'	0.XXX	± 0.1
Appr	LEGARE	1994/04/21	Product family		METRAL
Title			METRAL RA HDR STB CONVERG		Rev.
NB			4x24 - 4MODULES -FMLB LOADING		85824-1
catalog no			-		CUSTOMER sheet 1 of 2

rev	ecn no	dr	date
E	-	CHA	2003/07/03
F	LS05-0056	MLE	2005/04/20
G	LS06-0114	LGO	2006/08/12
H	LS07-0134	MLE	2007/04/14
J	LS07-0143	MLE	2007/05/21
-	-	-	-
-	-	-	-

PART NUMBER / CONTACT LOADING							
DIM-P ±0.10				DIM-D ±0.30	TIN LEAD PART NUMBER	LEAD FREE PART NUMBER	
ROW-A	ROW-B	ROW-C	ROW-D				
5.00	5.00	5.00	5.00	2.90	85824-X01	85824-X01LF	
5.00	5.75	5.00	5.00	2.90	85824-X02	85824-X02LF	
5.00	5.75	6.50	5.00	2.90	85824-X03	85824-X03LF	
5.00	5.00	6.50	5.00	2.90	85824-X04	85824-X04LF	
5.75	5.75	5.75	5.75	2.90	85824-X05	85824-X05LF	
6.50	5.75	5.00	5.75	2.90	85824-X06	85824-X06LF	
6.50	6.50	6.50	5.75	2.90	85824-X07	85824-X07LF	
6.50	5.75	6.50	5.75	2.90	85824-X08	85824-X08LF	
6.50	5.00	5.00	5.00	2.90	85824-X09	85824-X09LF	
5.75	5.75	5.75	5.75	3.70	85824-X10	85824-X10LF	



NOTE-20: FINISH HOLE DIAMETER
See Prod. Spec 65-12-446

OTHERS INFORMATIONS, SEE DRW 85824-1

European Views

www.fciconnect.com		surface ISO 1302	tolerance std ISO 406 ISO 1101	projection A3	mm
TOLERANCES UNLESS OTHERWISE SPECIFIED					
Dr	LENOIR	1994/04/21	ANGULAR	0.X	±0.1
Eng	LENOIR	1994/04/21	LINEAR	0.XX	±0.1
Chr	LEGARE	1994/04/21	0.XX	0.XXX	±0.1
Appr	LEGARE	1994/04/21	Product family		METRAL
Title			size		Scale
METRAL RA HDR STB CONVERG			A3		4:1
NB 4x24 -4MODULES -FMLB LOADING			ECN		LS07-0143
catalog no			Spec ref		-
drawing no			drawing no		85824-2
Rev.			Rev.		J
CUSTOMER			sheet		2 of 2