

**Right Angle Female Connectors, 8 Row, Type D/E**

**Type D/E Female Connectors**

Type D/E female connector will mate with respective vertical male connector as shown on page 18.

Type D/E connector offers the guidance ability similar to the Type D connector but also utilizes the center three columns for additional signal pin capability which are not found in the Type D connector.

Available in the Type D/E connector are 200 contacts. All are end stackable without change of contact pitch according to the chart on page 9.

Two levels of performance are offered; standard and with upper ground return shields. Upper ground shields are pre-fitted to receptacles. 8+2 male connectors are used with ground return shield versions.

Performance Data pages 6-7.

**Materials and Finish**

Glass filled polyester housing, gray, UL94 V-0 rated

Phosphor-bronze signal contacts

Contact area 0.8µm [.000030] Au over 1.3µm [.000050] Ni

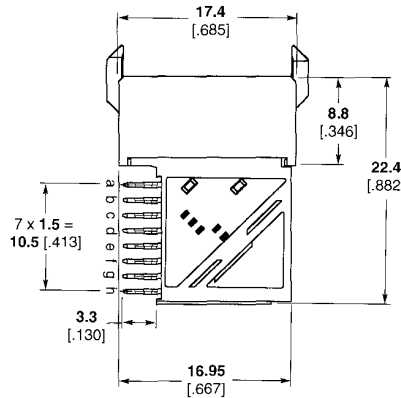
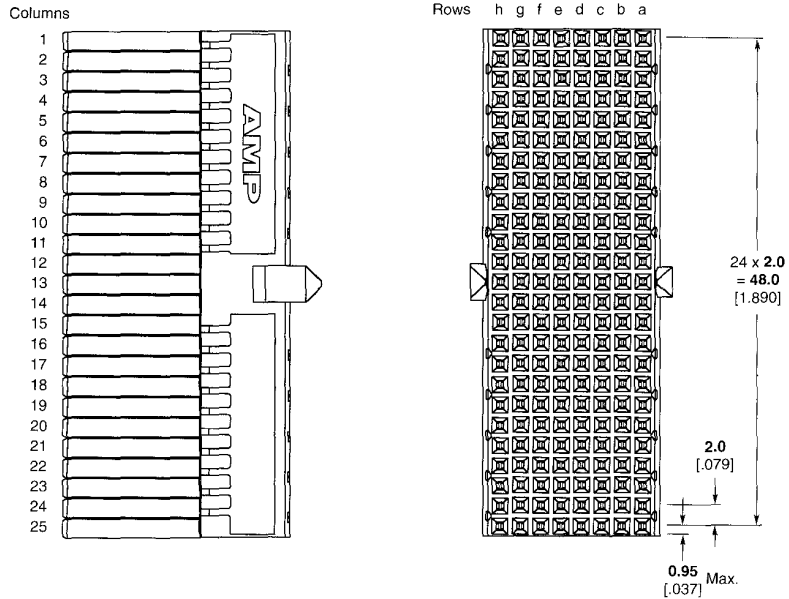
ACTION PIN Contact 0.5µm [.000020]

Sn/Pb

over 1.3µm [.000050] Ni

Board layout (see Customer Print)

Daughtercard thickness range of 1.4 - 4.3 [.055 - .169]



Description	Part Numbers	
	Standard	Standard with Upper Shield
Type D/E	646728-1	646759-1