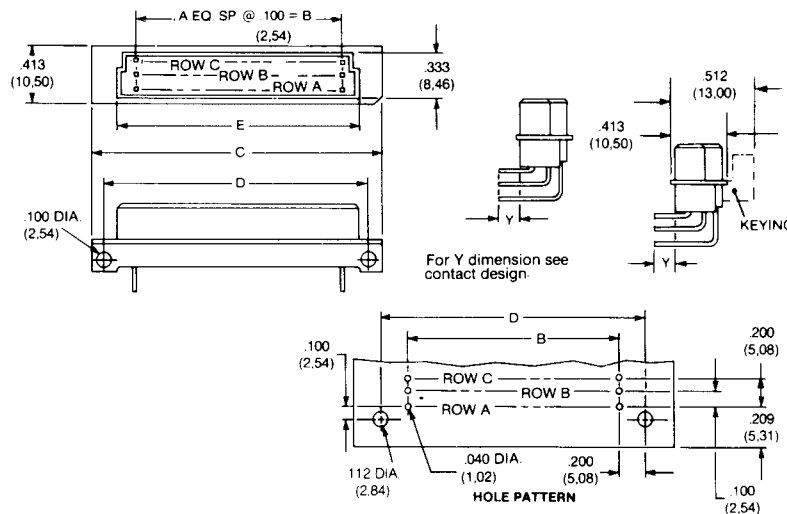


DIN 41612 Connectors



Series 8477 – Female Style ½ R - 3 Rows (3 x 16) Inverted - .100 Pitch

Dimensions



Inches (mm)

No. Contact Positions	Contact Rows	A	B	C	D	E
048	3 (3 x 16)	15	1.500 (38.10)	2.122 (53.90)	1.900 (48.26)	1.744 (44.30)

Contact Design and Termination Length	Number of Positions	Loading Description	Part Number Performance classes according to DIN 41612		
			III	II	I
0.6 x 0.6 mm Post Profile 3.0 mm (Y) Right Angled	48	a + b + c fully loaded	20 8477 048 002 001	20 8477 048 002 025	20 8477 048 002 049
	32	a + c fully loaded	20 8477 048 002 002	20 8477 048 002 026	20 8477 048 002 050
	16	a + c even loading	20 8477 048 002 009	20 8477 048 002 033	20 8477 048 002 057
	16	a loading only	20 8477 048 002 003	20 8477 048 002 027	20 8477 048 002 051
0.3 x 0.79 mm Post Profile 3.0 mm (Y) Right Angled	48	a + b + c fully loaded	20 8477 048 006 001	20 8477 048 006 025	20 8477 048 006 049
	32	a + c fully loaded	20 8477 048 006 002	20 8477 048 006 026	20 8477 048 006 050
	16	a + c even loading	20 8477 048 006 009	20 8477 048 006 033	20 8477 048 006 057
	16	a loading only	20 8477 048 006 003	20 8477 048 006 027	20 8477 048 006 051
0.6 x 0.6 mm Post Profile 11.43 mm (Y) Right Angled	48	a + b + c fully loaded	20 8477 048 008 001	20 8477 048 008 025	20 8477 048 008 049
	32	a + c fully loaded	20 8477 048 008 002	20 8477 048 008 026	20 8477 048 008 050
	16	a + c even loading	20 8477 048 008 009	20 8477 048 008 033	20 8477 048 008 057
	16	a loading only	20 8477 048 008 003	20 8477 048 008 027	20 8477 048 008 051
0.3 x 0.79 mm Post Profile 4.5 mm (Y) Right Angled	48	a + b + c fully loaded	20 8477 048 009 001	20 8477 048 009 025	20 8477 048 009 049
	32	a + c fully loaded	20 8477 048 009 002	20 8477 048 009 026	20 8477 048 009 050
	16	a + c even loading	20 8477 048 009 009	20 8477 048 009 033	20 8477 048 009 057
	16	a loading only	20 8477 048 009 003	20 8477 048 009 027	20 8477 048 009 051
0.6 x 0.6 mm Post Profile 4.5 mm (Y) Right Angled	48	a + b + c fully loaded	20 8477 048 012 001	20 8477 048 012 025	20 8477 048 012 049
	32	a + c fully loaded	20 8477 048 012 002	20 8477 048 012 026	20 8477 048 012 050
	16	a + c even loading	20 8477 048 012 009	20 8477 048 012 033	20 8477 048 012 057
	16	a loading only	20 8477 048 012 003	20 8477 048 012 027	20 8477 048 012 051

Additional information on this product is available from AVX's catalog or AVX's FAX Service. Call 1-800-879-1613 and request document #211. Visit our website <http://www.avxcorp.com>

ELCO