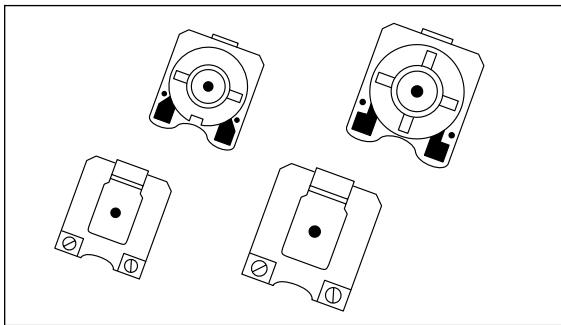


Thick Film Chip Trimmer Potentiometers



CVR-32 / CVR-42 / CVR-43 Series



HOW TO ORDER

CVR 4 3 C - 223 S W 1 □
 ① ② ③ ④ ⑤ ⑥ ⑦ ⑧ ⑨

- ① **Chip Trimmer Potentiometer**
- ② **Size:** 4 = 4mm, 3 = 3mm
- ③ **Terminal Number:**
 2 = 2 terminals
 3 = 3 terminals (except for CVR-3)
- ④ **Circuit Type:**
 A = Voltage adjustment
 C = Current adjustment (except for CVR-3)
- ⑤ **Nominal Resistance Value:**
 3 digits (2 significant digits and 1 number of zeros)
- ⑥ **Adjustment Method:**
 S = Standard
 G = Automatic
 R = Bottom (CVR-43 only)
- ⑦ **Packaging:**
 B = Bulk
 W = Taping (W direction)
 X = Taping (X direction) option
- ⑧ **Standard Quantity per Package:**
 CVR42, 43: 1 = 1,000 pcs, 5 = 5,000 pcs
 CVR32: 2 = 2,000 pcs, 5 = 5,000 pcs, 0 = 10,000 pcs
- ⑨ **Others**

Standard Values

Style	Full Resistance Value (Ω, kΩ, MΩ)	Code	
		(a)	(b)
CVR-□□□-101	100Ω	1	1
CVR-□□□-151	150Ω	A	1
CVR-□□□-201	200Ω	2	1
CVR-□□□-221	220Ω		1
CVR-□□□-301	300Ω	3	1
CVR-□□□-331	330Ω		1
CVR-□□□-471	470Ω	4	1
CVR-□□□-501	500Ω	5	1
CVR-□□□-681	680Ω	6	1
CVR-□□□-102	1.0kΩ	1	2
CVR-□□□-152	1.5kΩ	A	2
CVR-□□□-202	2.0kΩ	2	2
CVR-□□□-222	2.2kΩ		2
CVR-□□□-302	3.0kΩ	3	2
CVR-□□□-332	3.3kΩ		2
CVR-□□□-472	4.7kΩ	4	2
CVR-□□□-502	5.0kΩ	5	2
CVR-□□□-682	6.8kΩ	6	2
CVR-□□□-103	10kΩ	1	3
CVR-□□□-153	15kΩ	A	3
CVR-□□□-203	20kΩ	2	3
CVR-□□□-223	22kΩ		3
CVR-□□□-303	30kΩ	3	3
CVR-□□□-333	33kΩ		3
CVR-□□□-473	47kΩ	4	3
CVR-□□□-503	50kΩ	5	3
CVR-□□□-683	68kΩ	6	3
CVR-□□□-104	100kΩ	1	4
CVR-□□□-154	150kΩ	A	4
CVR-□□□-204	200kΩ	2	4
CVR-□□□-224	220kΩ		4
CVR-□□□-304	300kΩ	3	4
CVR-□□□-334	330kΩ		4
CVR-□□□-474	470kΩ	4	4
CVR-□□□-504	500kΩ	5	4
CVR-□□□-684	680kΩ	6	4
CVR-□□□-105	1.0MΩ	1	5
CVR-□□□-155	1.5MΩ	A	5
CVR-□□□-205	2.0MΩ	2	5
CVR-□□□-225	2.2MΩ		5

Rating

Specifications	Rating	
	CVR-4 Series	CVR-3 Series
Rated Power	0.2W (70°C)	0.1W (70°C)
Rated Voltage	100V	50V
Resistance Value	100Ω-2.2MΩ	100Ω-2.2MΩ
Resistance Tolerance	±30%	±30%
Resistance Change Linearity	Straight line "B"	Straight line "B"
Rotation Life	(20 rotations) ±15%	(20 rotations) ±15%
Torque	20-200g•cm	20-200g•cm
Rotation Angle	270°±20°	270°±20°
Operating Temp	-40°C~+100°C	-40°C~+100°C
T.C.R.	±250 ppm/°C	±250 ppm/°C

Code

(a)	(2)	(b)	Code (a)		Code (b)	
			(The first two significant figures)	(10 logarithmic multiplier)	Sign	Value
1	10	1	1	10 ¹		
A	15	2	2	10 ²		
2	20, 22	3	3	10 ³		
3	30, 33	4	4	10 ⁴		
4	47	5	5	10 ⁵		
5	50					
6	68					

Example (a) 4 (b) 3 ⇒ 47 x 10³ = 47 kΩ

Additional information on this product is available from AVX's catalog or AVX's FAX Service. Call 1-800-879-1613 and request document #098. Visit our website <http://www.avxcorp.com>

















Thick Film Chip Trimmer Potentiometers



CVR-32 / CVR-42 / CVR-43 Series

Dimensions:

Item	Circuit Type	Equivalent Circuit	Dimensions (Unit:mm)
(Face) (Back)   CVR-43 Auto	A type		
	C type		
  CVR-42 Auto	A type		
	C type		
  CVR-43 Reverse	A type		
	C type		
  CVR-43 Standard	A type		
	C type		
  CVR-42 Standard	A type		
	C type		
  CVR-32 Standard	A type		
	A type		
  CVR-32 Auto	A type		
	A type		

Additional information on this product is available from AVX's catalog or AVX's FAX Service. Call 1-800-879-1613 and request document #099. Visit our website <http://www.avxcorp.com>

