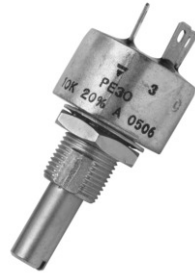


## Fully Sealed Container Cermet Potentiometer Military and Professional Grade



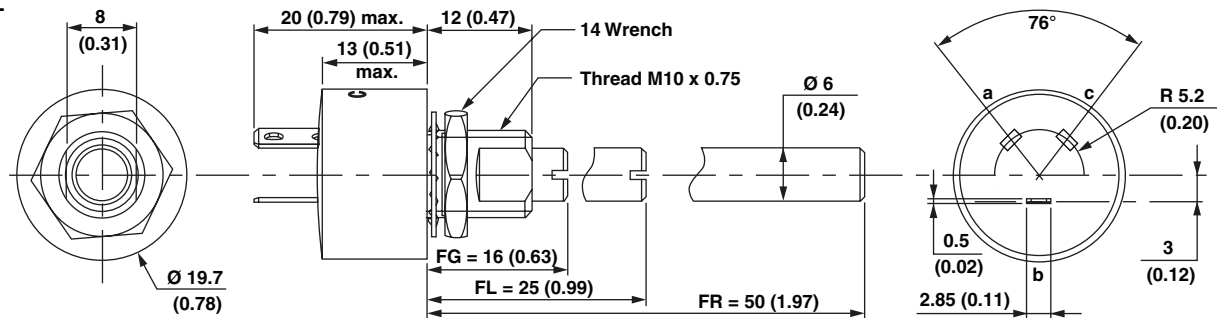
### FEATURES

- High power rating (3 W at 70 °C)
- Low temperature coefficient (150 ppm/°C typical)
- Full sealing
- Use of faston 2.86 connections
- Tests according to CECC 41 000
- Wires and connectors available
- Custom design on request

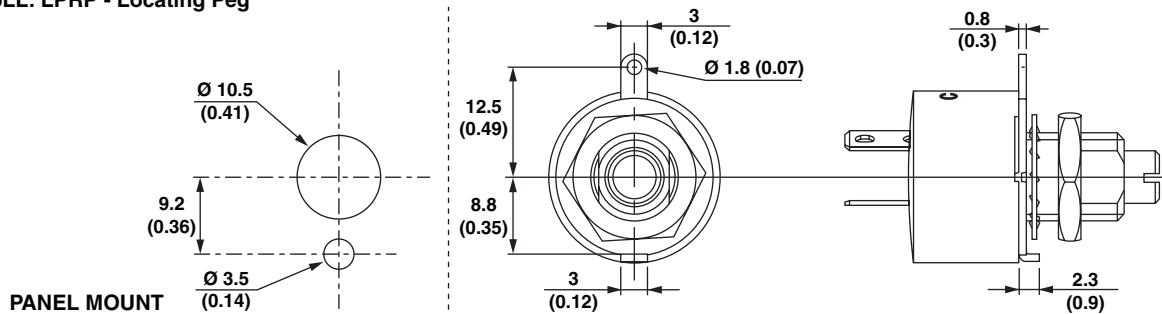


### DIMENSIONS in millimeters (inches) ± 0.5 (± 0.02)

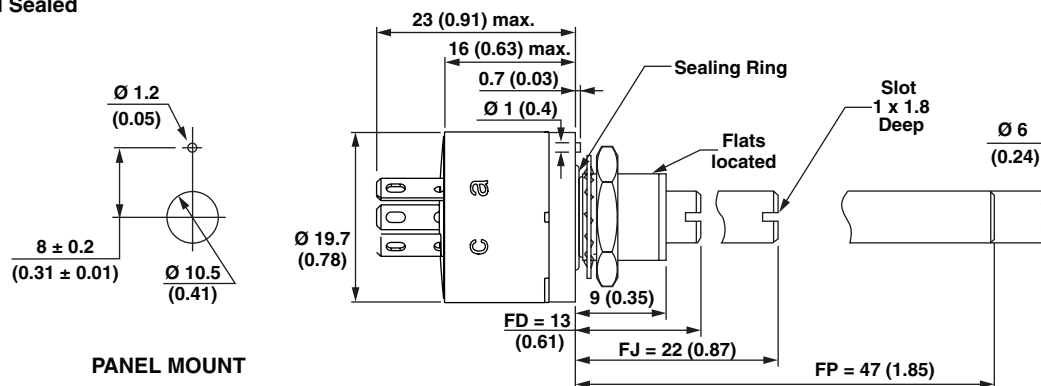
#### PE30L



#### PE30LL: LPRP - Locating Peg



#### PE30ME: Panel Sealed



<b>ELECTRICAL SPECIFICATIONS</b>	
Resistive Element	Cermet
Electrical Travel	270° ± 10 °
Resistance Range	Linear Law 22 Ω to 10 MΩ
	Logarithmic Laws 100 Ω to 2.2 MΩ
Standard Series E3	1 - 2.2 - 4.7 and on request 1 - 2 - 5
Tolerance	Standard ± 20 %
	On Request ± 10 % to ± 5 %
Variation Law	Linear A
	<p><b>CIRCUIT DIAGRAM</b></p>
Power Rating	Linear 3 W at 70 °C
	<p>Logarithmic 1.5 W at 70 °C</p>
Temperature Coefficient (Typical)	± 150 ppm/°C
Limiting Element Voltage	300 V
Contact Resistance Variation	3 % Rn or 3 Ω
End Resistance (Typical)	1 Ω
Dielectric Strength (RMS)	2500 V
Insulation Resistance (300 VDC)	10 <sup>5</sup> MΩ
Independent Linearity (Typical)	± 5 %



Fully Sealed Container Cermet Potentiometer  
Military and Professional Grade

Vishay Sfernice

STANDARD RESISTANCE ELEMENT DATA							
STANDARD RESISTANCE VALUES	LINEAR LAW			LOGS LAW			TYPICAL TCR - 55 °C + 125 °C
	MAX. POWER AT 70 °C	MAX. WORKING VOLTAGE	MAX. CUR. THROUGH WIPER	MAX. POWER AT 70 °C	MAX. WORKING VOLTAGE	MAX. CUR. THROUGH WIPER	
Ω	W	V	mA	W	V	mA	ppm/°C
22	3	8.12	369				± 150
47	3	11.87	252				
100	3	17.32	173				
220	3	25.69	116				
470	3	37.55	79				
1K	3	57.44	54	1.5	38.7	38.7	
2.2K	3	81.24	37	1.5	57.4	26.1	
4.7K	3	118.74	25	1.5	83.9	17.9	
10K	3	173.20	17	1.5	122	12.2	
22K	3	256.9	11	1.5	181.6	8.25	
47K	1.91	300	6.3	1.5	265	5.64	
100K	0.90	300	3	0.9	300	3	
220K	0.41	300	1.36	0.41	300	1.36	
470K	0.19	300	0.63	0.19	300	0.63	
1M	0.09	300	0.30	0.09	300	0.30	
2.2M	0.04	300	0.13				
4.7M	0.02	300	0.06				
10M	0.01	300	0.03				

MECHANICAL SPECIFICATIONS		
Mechanical Travel	300° ± 5°	
Operating Torque (Typical)	3 Ncm max.	4.25 oz.-inch max.
End Stop Torque	120 Ncm max.	10.51 lb oz.-inch max.
Tightening Torque of Mounting Nut	250 Ncm max.	22 lb-inch max.
Unit Weight	23 to 32 g max.	0.8 to 1.13 oz.
Terminals	e3: pure Sn	

ENVIRONMENTAL SPECIFICATIONS	
Temperature Range	- 55 °C to 125 °C
Climatic Category	55/125/56
Sealing	Fully sealed - Container IP67

OPTIONS	
Special Feature Command Shaft	Length is measured from the mounting surface to the free end of the shaft. The screwdriver slot is aligned with the wiper within ± 10°. Special shafts are available, in accordance to drawings supplied by customers. We recommend that customers should not machine tool shafts, in order to avoid damage. Bending or torsion of terminals should also be avoided.
Panel Sealing (PE30M)	The panel sealing device consists of a ring located in a groove on the potentiometer face. Sealing is obtained by tightening the ring against the panel when mounting the potentiometer. Old code: PE30P

OPTIONS	
Locating Peg (PE30LL)	Location is obtained by fitting a special washer on the mounting face of the potentiometer. Old code: LPRP
Shaft Locking (PE30LD)	<p>The shaft locking device consists of a tapered nut tightening a slotted notched washer against both bushing and shaft. DBAN tightening torque is 200 Ncm, shaft locking torque being 30 Ncm. DBAN is also available with all special types. This device is normally supplied in a separate bag. Can be pre-mounted on request.</p> <p><b>Assembling Method</b></p>

MARKING
<ul style="list-style-type: none"> <li>• VISHAY trademark</li> <li>• Model</li> <li>• Ohmic Value (in <math>\Omega</math>, k<math>\Omega</math> or M<math>\Omega</math>)</li> <li>• Tolerance (in %)</li> <li>• Manufacturing date code</li> <li>• Marking of terminals 3, and a, b, c</li> </ul>

PERFORMANCE						
CECC 41 301 - 002				TYPICAL VALUES AND DRIFTS		
TESTS	CONDITIONS	$\frac{\Delta RT}{RT}$ (%) REQUIREMENTS	$\frac{\Delta R1-2}{R1-2}$ (%)	$\frac{\Delta RT}{RT}$ (%)	$\frac{\Delta R1-2}{R1-2}$ (%)	
<b>Climatic Sequence</b>	Phase A dry heat 125 °C Phase B damp heat Phase C cold - 55 °C Phase D damp heat 5 cycles	$\pm 10\%$	$\pm 10\%$	$\pm 0.5\%$	$\pm 1\%$	
<b>Long Term Damp Heat</b>	56 days 40 °C 93 % HR	$\pm 10\%$ Insulation resistance: > 100 M $\Omega$		$\pm 0.5\%$ Insulation resistance: > 10 <sup>4</sup> M $\Omega$	$\pm 1\%$	
<b>Rotational Life</b>	25 000 cycles	$\pm 10\%$ Contact res. variation: < 7 % Rn		$\pm 3\%$ Contact res. variation: < 2 % Rn		
<b>Load Life</b>	1000 h at rated power 90°/30° - ambient temp. 70 °C	$\pm 10\%$ Contact res. variation: < 7 % Rn		$\pm 1\%$ Contact res. variation: < 3 % Rn		
<b>Rapid Temperature Change</b>	5 cycles - 55 °C at + 125 °C	$\pm 3\%$		$\pm 0.5\%$		
<b>Shock</b>	50 g at 11 ms 3 successive shocks in 3 directions	$\pm 2\%$		$\pm 0.1\%$	$\pm 0.2\%$	
<b>Vibration</b>	10 to 55 Hz 0.75 mm or 10 g during 6 hours	$\pm 2\%$		$\pm 0.1\%$	$\pm 0.2\%$	



Fully Sealed Container Cermet Potentiometer  
Military and Professional Grade

Vishay Sfernice

SAP ORDERING INFORMATION (Part Number 18 digits)																	
P	E	3	0	L	B	F	G	2	0	4	M	A	B				
MODEL	BUSHING	OPTION	SHAFT			OHMIC VALUE	TOLERANCE	LAW	PACKAGING	SPECIAL NUMBER							
	L = M10 x 0.75 M = Panel sealed M10 x 0.75	0 = none For L Bushing D = DBAN L = LPRP B = DBAN and LPRP A = Peg and DBAN For M Bushing E = Peg	For L Bushing (= old codes:) FG 16 mm, slotted = AC FL 25 mm, slotted = AM FR 50 mm, plain = AL  For M Bushing FD = 13 mm, slotted = AC FJ = 22 mm, slotted = AM FP = 47 mm, plain = AL			A law = from 22 Ω to 10 MΩ  L and F laws = from 100 Ω to 2.2 MΩ	± 20 % on request ± 10 % ± 5 %	A = Linear L = Clockwise logarithmic F = Clockwise inverse logarithmic	B = Box of 10 pieces	(if applicable) Given by VISHAY for custom design							

PART NUMBER DESCRIPTION (for information only)												
PE30		LPRP	AC	200K	20 %	A	DBAN		BO10			e3
MODEL	FEATURES	OPTION	SHAFT	VALUE	TOLERANCE	TAPER	OPTION	SPECIAL	PACKAGING	CUSTOM SHAFT	SPECIAL	LEAD (Pb)-FREE



## Disclaimer

All product specifications and data are subject to change without notice.

Vishay Intertechnology, Inc., its affiliates, agents, and employees, and all persons acting on its or their behalf (collectively, "Vishay"), disclaim any and all liability for any errors, inaccuracies or incompleteness contained herein or in any other disclosure relating to any product.

Vishay disclaims any and all liability arising out of the use or application of any product described herein or of any information provided herein to the maximum extent permitted by law. The product specifications do not expand or otherwise modify Vishay's terms and conditions of purchase, including but not limited to the warranty expressed therein, which apply to these products.

No license, express or implied, by estoppel or otherwise, to any intellectual property rights is granted by this document or by any conduct of Vishay.

The products shown herein are not designed for use in medical, life-saving, or life-sustaining applications unless otherwise expressly indicated. Customers using or selling Vishay products not expressly indicated for use in such applications do so entirely at their own risk and agree to fully indemnify Vishay for any damages arising or resulting from such use or sale. Please contact authorized Vishay personnel to obtain written terms and conditions regarding products designed for such applications.

Product names and markings noted herein may be trademarks of their respective owners.