



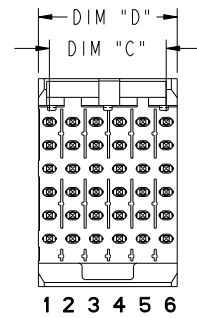
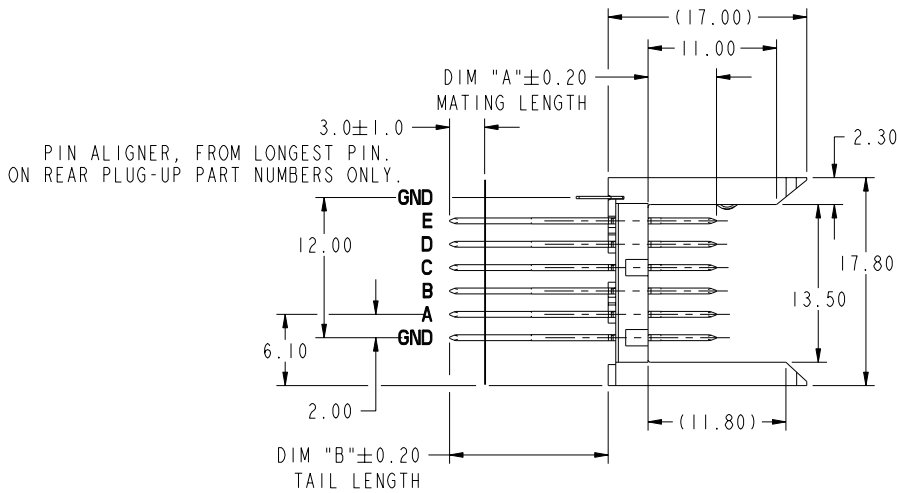
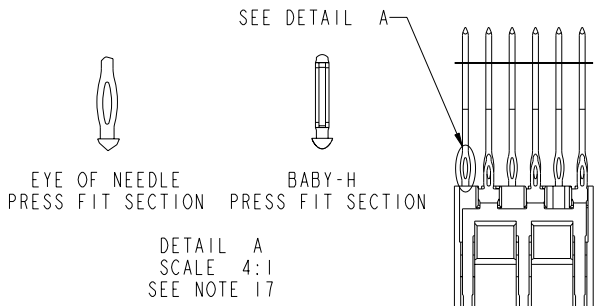
This document is the property of and embodies CONFIDENTIAL and PROPRIETARY information of FCI. No part of the information shown on this document may be used in any way or disclosed to others without the written consent of FCI. Copyright FCI.

PRODUCT NUMBER
SEE BELOW AND TABLE ON SHEET 2

84817-X YY ZZZ LF
BASE NUMBER

LEAD FREE (OPTIONAL)
SPECIAL LOAD PATTERN
SEE SHEETS 7-9

SIZE, SEE SHEET 2
PLATING PERFORMANCE
LEVEL, SEE SHEET 2



| | | | | | | | | | | | | | |
|--------------------------|----------|-----|------------|---------------------------------------|---------|------------|-----|------------|--------|-------------------------------|--------|--------------------|--|
| mat'l code SEE NOTE 5 | | | | tolerances unless otherwise specified | | | | CUSTOMER | | FCI | | www.fciconnect.com | |
| lfr | ecm no. | dr | date | 0.X ± .1 | | | | COPY | | title | | code | |
| AC | V06-0569 | DCH | 2006-06-12 | 0.XX ± .05 | | | | projection | | VERTICAL SIGNAL HDR 5 ROW | | 213 | |
| AD | V07-0047 | HTB | 2007-01-19 | .XXX ± .020 | | | | MM | | PRESS-FIT, SPECIAL LOAD, STD. | | 1 of 7 | |
| AE | V07-0166 | DCH | 2007-03-01 | 0° ± 2° | | | | scale | | product family METRAL 1000 | | sheet | |
| AF | V07-0676 | HTB | 2007-11-08 | dr | K. BELL | 2000-03-29 | 1:1 | | size | | 84817 | | |
| AG | V08-0009 | LP | 2008-1-23 | enr | M. HAHN | 2000-03-29 | | | dwg no | | 213 | | |
| - | - | - | - | chr | M. HAHN | 2000-03-29 | | | A | | 1 of 7 | | |
| AB | V05-0806 | VS | 2005-09-13 | oppd | M. HAHN | 2000-03-29 | | | | | | | |
| sheet index | revision | AG | AG | AG | AG | AG | AG | AG | | | | | |
| | sheet | 1 | 2 | 3 | 4 | 5 | 6 | 7 | | | | | |

REV E - 2006-04-18

Pro/E

PDM: Rev:AG STATUS:Released Printed: Dec 17, 2009



This document is the property of and embodies CONFIDENTIAL and PROPRIETARY information of FCI. No part of the information shown on this document may be used in any way or disclosed to others without the written consent of FCI. Copyright FCI.

| 1 2 | | | | | | 3 | | | | | 4 |
|----------------|---------------------------|---|--------------|-----------------|----------------|--------------|---------------------------|---|--------------|-----------------|----------------|
| PRODUCT NO. | PLATING PERFORMANCE LEVEL | SHROUD TO USE FOR REAR-PLUG-UP APPLICATIONS | LENGTH DIM D | PIN FIELD DIM C | CONNECTOR SIZE | PRODUCT NO. | PLATING PERFORMANCE LEVEL | SHROUD TO USE FOR REAR-PLUG-UP APPLICATIONS | LENGTH DIM D | PIN FIELD DIM C | CONNECTOR SIZE |
| 84817-101ZZZ | TELCORDIA CO | 84818-101 | 11.88 | 10.00 | 1 MOD | 84817-901ZZZ | TELCORDIA CO | 84818-101 | 11.88 | 10.00 | 1 MOD |
| 84817-101ZZZLF | | 84818-101LF | | | | | | | | | |
| 84817-102ZZZ | | 84818-102 | 23.88 | 22.00 | 2 MOD | 84817-902ZZZ | | 84818-102 | | | |
| 84817-102ZZZLF | | 84818-102LF | | | | | | | | | |
| 84817-103ZZZ | | 84818-103 | 35.88 | 34.00 | 3 MOD | 84817-903ZZZ | | 84818-103 | | | |
| 84817-103ZZZLF | | 84818-103LF | | | | | | | | | |
| 84817-104ZZZ | | 84818-104 | 47.88 | 46.00 | 4 MOD | 84817-904ZZZ | | 84818-104 | | | |
| 84817-104ZZZLF | | 84818-104LF | | | | | | | | | |
| 84817-301ZZZ | CUSTOMER SPECIAL | 84818-301 | 11.88 | 10.00 | 1 MOD | | | | | | |
| 84817-301ZZZLF | | 84818-301LF | | | | | | | | | |
| 84817-302ZZZ | | 84818-302 | 23.88 | 22.00 | 2 MOD | | | | | | |
| 84817-302ZZZLF | | 84818-302LF | | | | | | | | | |
| 84817-303ZZZ | | 84818-303 | 35.88 | 34.00 | 3 MOD | | | | | | |
| 84817-303ZZZLF | | 84818-303LF | | | | | | | | | |
| 84817-304ZZZ | | 84818-304 | 47.88 | 46.00 | 4 MOD | | | | | | |
| 84817-304ZZZLF | | 84818-304LF | | | | | | | | | |
| 84817-501ZZZ | TELCORDIA UE | 84818-501 | 11.88 | 10.00 | 1 MOD | | | | | | |
| 84817-501ZZZLF | | 84818-501LF | | | | | | | | | |
| 84817-502ZZZ | | 84818-502 | 23.88 | 22.00 | 2 MOD | | | | | | |
| 84817-502ZZZLF | | 84818-502LF | | | | | | | | | |
| 84817-503ZZZ | | 84818-503 | 35.88 | 34.00 | 3 MOD | | | | | | |
| 84817-503ZZZLF | | 84818-503LF | | | | | | | | | |
| 84817-504ZZZ | | 84818-504 | 47.88 | 46.00 | 4 MOD | | | | | | |
| 84817-504ZZZLF | | 84818-504LF | | | | | | | | | |

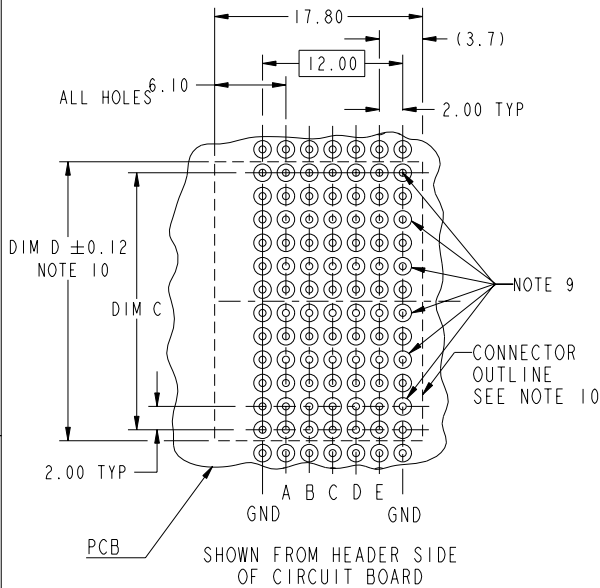
| | | | | | | | | | |
|------------------------|----------------|----|------|---------------------------------------|--------------------|---------------|--|--------------------|-------|
| mat'l code: SEE NOTE 5 | | | | tolerances unless otherwise specified | | CUSTOMER COPY | | www.fciconnect.com | |
| ltr | ecm no. | dr | date | linear | 0.X ± 0.1 | projection | title: VERTICAL SIGNAL HDR 5 ROW PRESS-FIT, SPECIAL LOAD, STD. | | |
| AG | | | | angles | .XXX ± .020 | | product family: METRAL 1000 | | |
| | | | | dr | 0° ± 2° | MM | size | dwg no | code |
| | | | | engr | K. BELL 2000-03-29 | scale | A | 84817 | 213 |
| | | | | chr | M. HAHN 2000-03-29 | 1:1 | | | sheet |
| | | | | oppd | M. HAHN 2000-03-29 | | | | 2 |
| sheet index | revision sheet | | | | | | | | |

REV E - 2006-04-18

Pro/E 3 cage code 22526 4

PDM: Rev:AG STATUS:Released Printed: Dec 17, 2009

RECOMMENDED PCB LAYOUT



NOTES:

- SEE APPLICATION SPECIFICATION GS-20-010 FOR INFORMATION ON AVAILABLE TOOLING, CIRCUIT BOARD DESIGN CONSIDERATIONS, REPAIR PROCEDURES AND PRODUCT OFFERINGS.
- SEE FCI PUBLICATION 950511-028 FOR "ELECTRICAL PERFORMANCE DATA FOR DIFFERENTIAL APPLICATIONS."
- SEE FCI PUBLICATION 950511-029 FOR "ELECTRICAL PERFORMANCE DATA FOR SINGLE-ENDED APPLICATION."
- UNLESS OTHERWISE SPECIFIED, ALL DIMENSIONS AND TOLERANCES ARE IN ACCORDANCE WITH ASME Y14.5, 1994
- HOUSING MATERIAL: LCP, 30% GLASS FILLED, FLAME RETARDANT PER UL 94-V0.
PIN MATERIAL: PHOSPHER BRONZE
GROUND SPRING MATERIAL: PHOSPHER BRONZE
- PLATING INFORMATION: PLATING ON CONTACT AREA MEETS THE PERFORMANCE LEVELS AS SHOWN IN TABLE ON SHEET 1. PLATING ON "LF" TAILS IS Sn. PLATING ON ALL OTHER TAILS IS SnPb.
- DIMENSIONAL RESTRICTIONS OF PINS IN HEADERS.
FOR MATING WITH METRAL 1000 RECEPTACLES
DIM A : 5.00mm MIN, 8.00mm MAX FOR ROWS A-E
DIM A : 5.00mm MIN, 5.75mm MAX FOR ROW GND NEXT TO ROW A
DIM C : 5.00mm MIN, 8.00mm MAX FOR ROWS A-E
DIM C : 4.60mm MIN, 6.30mm MAX FOR ROW GND NEXT TO ROW A
FOR MATING WITH METRAL 4000 RECEPTACLES
DIM A : 5.00mm MIN, 6.50mm MAX FOR ROWS A, B, D & E
DIM A : 5.00mm MIN, 8.00mm MAX FOR ROW C
DIM A : 5.00mm MIN, 5.75mm MAX FOR ROW GND NEXT TO ROW A
DIM C : 5.00mm MIN, 7.00mm MAX FOR ROWS A, B, D & E
DIM C : 5.00mm MIN, 8.00mm MAX FOR ROW C
DIM C : 4.60mm MIN, 6.30mm MAX FOR ROW GND NEXT TO ROW A
- THE MIN PCB THICKNESS FOR REAR PLUG-UP APPLICATIONS IS 2.9mm SINCE THE COMPLAINT SECTIONS OF THE GROUING SPRING OF THE HEADER DIRECTLY OPPOSE THE GROUND SPRING OF THE SHROUD. THE MIN PCB THICKNESS FOR FRONT PLUG-UP ONLY APPLICATIONS IS 1.6mm.
- THESE HOLES ARE NEEDED FOR REAR PLUG-UP DESIGNS USING A SHROUD AND MAY BE OMITTED FOR FRONT PLUG-UP ONLY DESIGNS.
- THE 'CONNECTOR OUTLINE' IS THE MIN OUTLINE REQUIRED. TO DETERMINE THE OUTLINE NECESSARY TO PERMIT THE VARIOUS TYPES OF REPAIR OPERATIONS, SEE APPLICATION SPECIFICATION GS-20-010.
- CURRENT RATING : 1 AMP PER PIN
- TEMPERATURE RANGE : -55°C TO +105°C
- P/N 84817-X01ZZ SHOWN ON SHEET 1.
- THE PRODUCTS WHERE THE PART NUMBERS END IN "LF" MEET EUROPEAN UNION DIRECTIVES AND OTHER COUNTRY REGULATIONS AS DESCRIBED IN GS-22-008. ALL PRODUCTS WILL WITHSTAND EXPOSURE TO 260°C FOR 60 SECONDS IN A CONVECTION INFRA-RED OR VAPOR PHASE REFLOW OVEN.
- FOR LEAD FREE PART NUMBERS, ADD "LF" SUFFIX. EXAMPLE: 84817-XYYYLF.
- SEE PRODUCT SPEC GS-12-110 FOR PERFORMANCE, TEST, AND SIGNAL INTEGRITY INFORMATION.
- PIN TYPE IS AT THE MANUFACTURERS OPTION AND CAN BE EITHER BABY-H OR EYE OF THE NEEDLE STYLE

| PRESS-FIT HOLES | OPTION 1 |
|-----------------------------|---------------------------|
| HOLE DIAMETER AFTER PLATING | 0.65-0.80 |
| DRILLED HOLE | 0.81-0.86 (0.85 DRILL) |
| COPPER PLATING | 0.025 MIN |
| SnPb PLATING | 0.005-0.015 |

SEE PRINT 58315 FOR ADDITIONAL PCB INFORMATION

| | | | | | | | | | | | |
|-------------|----------------|------------|------|---------------------------------------|--------------------|------------|----------------|-----|-------------------------------|--------------------|--|
| mat'l code | | SEE NOTE 5 | | tolerances unless otherwise specified | | CUSTOMER | | FCI | | www.fciconnect.com | |
| ltr | ecm no. | dr | date | linear | 0.X ±.1 | projection | COPY | | title | | |
| AG | | | | | 0.XX ±.05 | MM | product family | | VERTICAL SIGNAL HDR 5 ROW | | |
| | | | | angles | .XXX ±.020 | scale | METRAL 1000 | | PRESS-FIT, SPECIAL LOAD, STD. | | |
| | | | | dr | 0° ±2° | 1:1 | size | | code | | |
| | | | | engr | K. BELL 2000-03-29 | | dwg no | | 213 | | |
| | | | | chr | M. HAHN 2000-03-29 | | sheet | | 3 | | |
| | | | | oppd | M. HAHN 2000-03-29 | | sheet | | 3 | | |
| sheet index | revision sheet | | | | | | | | | | |



This document is the property of and embodies CONFIDENTIAL and PROPRIETARY information of FCI. No part of the information shown on this document may be used in any way or disclosed to others without the written consent of FCI. Copyright FCI.



This document is the property of and embodies CONFIDENTIAL and PROPRIETARY information of FCI. No part of the information shown on this document may be used in any way or disclosed to others without the written consent of FCI. Copyright FCI.

| PIN NO. | DIM A MATING LENGTH | DIM B TAIL LENGTH | PCB THICKNESS RANGE ACCOMMODATED BY PIN'S TAIL LENGTH | | | | |
|---------|---------------------|-------------------|---|-------------|--|-------------|-------------|
| | | | WHEN MATING TO A 73981 OR 84688 SERIES RECEPTACLE | | WHEN MATING TO A 52057 SERIES METRAL 4000 RECEPTACLE | | |
| | | | ROWS A,B,C,D,E | GROUND ROW | ROWS:A,B,DE | ROW C | GROUND ROW |
| 01* | 5.00 | 4.30 | 1.60 MIN | 1.60 MIN | 1.60 MIN | 1.60 MIN | 1.60 MIN |
| 22 | | 12.20 | 2.95 - 3.80 | 2.95 - 4.20 | 2.95 - 3.80 | 2.95 - 3.80 | 2.95 - 4.20 |
| 30 | | 12.95 | 2.95 - 4.55 | 3.25 - 4.95 | 2.95 - 4.55 | 2.95 - 4.55 | 3.25 - 4.95 |
| 05 | | 13.70 | 2.95 - 5.30 | 4.00 - 5.70 | 3.30 - 5.30 | 2.95 - 5.30 | 4.00 - 5.70 |
| 35 | | 14.45 | 3.05 - 6.05 | 4.75 - 6.45 | 4.05 - 6.05 | 3.05 - 6.05 | 4.75 - 6.45 |
| 48 | | 15.20 | 3.80 - 6.80 | 5.50 - 7.20 | 4.80 - 6.80 | 3.80 - 6.80 | 5.50 - 7.20 |
| 40 | | 15.70 | 4.30 - 7.30 | 6.00 - 7.70 | 5.30 - 7.30 | 4.30 - 7.30 | 6.00 - 7.70 |
| 65 | | 16.40 | 5.00 - 8.00 | 6.70 - 8.40 | 6.00 - 8.00 | 5.00 - 8.00 | 6.70 - 8.40 |
| 09 | | 17.10 | 5.70 - 8.70 | 7.40 - 9.10 | 6.70 - 8.70 | 5.70 - 8.70 | 7.40 - 9.10 |
| 02* | | 5.75 | 4.30 | 1.60 MIN | 1.60 MIN | 1.60 MIN | 1.60 MIN |
| 44 | 12.20 | | 2.95 - 3.80 | 2.95 - 4.20 | 2.95 - 3.80 | 2.95 - 3.80 | 2.95 - 4.20 |
| 31 | 12.95 | | 2.95 - 4.55 | 3.25 - 4.95 | 2.95 - 4.55 | 2.95 - 4.55 | 3.25 - 4.95 |
| 06 | 13.70 | | 2.95 - 5.30 | 4.00 - 5.70 | 3.30 - 5.30 | 2.95 - 5.30 | 4.00 - 5.70 |
| 36 | 14.45 | | 3.05 - 6.05 | 4.75 - 6.45 | 4.05 - 6.05 | 3.05 - 6.05 | 4.75 - 6.45 |
| 49 | 15.20 | | 3.80 - 6.80 | 5.50 - 7.20 | 4.80 - 6.80 | 3.80 - 6.80 | 5.50 - 7.20 |
| 25 | 15.70 | | 4.30 - 7.30 | 6.00 - 7.70 | 5.30 - 7.30 | 4.30 - 7.30 | 6.00 - 7.70 |
| 66 | 16.40 | | 5.00 - 8.00 | 6.70 - 8.40 | 6.00 - 8.00 | 5.00 - 8.00 | 6.70 - 8.40 |
| 10 | 17.10 | | 5.70 - 8.70 | 7.40 - 9.10 | 6.70 - 8.70 | 5.70 - 8.70 | 7.40 - 9.10 |
| 03* | 6.50 | | 4.30 | 1.60 MIN | 1.60 MIN | 1.60 MIN | 1.60 MIN |
| 45 | | 12.20 | 2.95 - 3.80 | 2.95 - 4.20 | 2.95 - 3.80 | 2.95 - 3.80 | 2.95 - 4.20 |
| 32 | | 12.95 | 2.95 - 4.55 | 3.25 - 4.95 | 2.95 - 4.55 | 2.95 - 4.55 | 3.25 - 4.95 |
| 07 | | 13.70 | 2.95 - 5.30 | 4.00 - 5.70 | 3.30 - 5.30 | 2.95 - 5.30 | 4.00 - 5.70 |
| 37 | | 14.45 | 3.05 - 6.05 | 4.75 - 6.45 | 4.05 - 6.05 | 3.05 - 6.05 | 4.75 - 6.45 |
| 50 | | 15.20 | 3.80 - 6.80 | 5.50 - 7.20 | 4.80 - 6.80 | 3.80 - 6.80 | 5.50 - 7.20 |
| 41 | | 15.70 | 4.30 - 7.30 | 6.00 - 7.70 | 5.30 - 7.30 | 4.30 - 7.30 | 6.00 - 7.70 |
| 24 | | 16.40 | 5.00 - 8.00 | 6.70 - 8.40 | 6.00 - 8.00 | 5.00 - 8.00 | 6.70 - 8.40 |
| 11 | | 17.10 | 5.70 - 8.70 | 7.40 - 9.10 | 6.70 - 8.70 | 5.70 - 8.70 | 7.40 - 9.10 |

| | | | | | | | |
|------------------------|----------------|---------------------------------------|------|----------|--------------------|---------------------------|---|
| mat'l code: SEE NOTE 5 | | tolerances unless otherwise specified | | CUSTOMER | | FCI www.fciconnect.com | |
| lfr | ecm no. | dr | date | linear | 0.X ± .1 | projection | COPY |
| AG | | | | | 0.XX ± .05 | | title |
| | | | | angles | .XXX ± .020 | | VERTICAL SIGNAL HDR 5 ROW PRESS-FIT, SPECIAL LOAD, STD. |
| | | | | dr | 0° ± 2° | | product family |
| | | | | engr | K. BELL 2000-03-29 | scale | METRAL 1000 |
| | | | | chr | M. HAHN 2000-03-29 | 1:1 | code |
| | | | | oppd | M. HAHN 2000-03-29 | A | 213 |
| sheet index | revision sheet | | | | | size | sheet |
| | | | | | | 84817 | 4 |
| | | | | | | code code | |
| | | | | | | 22526 | 4 |

REV E - 2004-04-18

PDM: Rev:AG

STATUS:Released

Printed: Dec 17, 2009



This document is the property of and embodies CONFIDENTIAL and PROPRIETARY information of FCJ. No part of the information shown on this document may be used in any way or disclosed to others without the written consent of FCJ. Copyright FCJ.

| PIN NO. | DIM A MATING LENGTH | DIM B TAIL LENGTH | PCB THICKNESS RANGE ACCOMMODATED BY PIN LENGTH | | | | |
|---------|---------------------|-------------------|---|-------------|--|-------------|-------------|
| | | | WHEN MATING TO A 73981 OR 84688 SERIES RECEPTACLE | | WHEN MATING TO A 52057 SERIES METRAL 4000 RECEPTACLE | | |
| | | | ROWS A,B,C,D,E | GROUND ROW | ROWS:A,B,DE | ROW C | GROUND ROW |
| 04* | 7.25 | 4.30 | 1.60 MIN | 1.60 MIN | 1.60 MIN | 1.60 MIN | 1.60 MIN |
| 46 | | 12.20 | 2.95 - 3.80 | 2.95 - 4.20 | 2.95 - 3.80 | 2.95 - 3.80 | 2.95 - 4.20 |
| 33 | | 12.95 | 2.95 - 4.55 | 3.25 - 4.95 | 2.95 - 4.55 | 2.95 - 4.55 | 3.25 - 4.95 |
| 08 | | 13.70 | 2.95 - 5.30 | 4.00 - 5.70 | 3.30 - 5.30 | 2.95 - 5.30 | 4.00 - 5.70 |
| 38 | | 14.45 | 3.05 - 6.05 | 4.75 - 6.45 | 4.05 - 6.05 | 3.05 - 6.05 | 4.75 - 6.45 |
| 51 | | 15.20 | 3.80 - 6.80 | 5.50 - 7.20 | 4.80 - 6.80 | 3.80 - 6.80 | 5.50 - 7.20 |
| 42 | | 15.70 | 4.30 - 7.30 | 6.00 - 7.70 | 5.30 - 7.30 | 4.30 - 7.30 | 6.00 - 7.70 |
| 67 | | 16.40 | 5.00 - 8.00 | 6.70 - 8.40 | 6.00 - 8.00 | 5.00 - 8.00 | 6.70 - 8.40 |
| 12 | | 17.10 | 5.70 - 8.70 | 7.40 - 9.10 | 6.70 - 8.70 | 5.70 - 8.70 | 7.40 - 9.10 |
| 19* | | 8.00 | 4.30 | 1.60 MIN | 1.60 MIN | 1.60 MIN | 1.60 MIN |
| 47 | 12.20 | | 2.95 - 3.80 | 2.95 - 4.20 | 2.95 - 3.80 | 2.95 - 3.80 | 2.95 - 4.20 |
| 34 | 12.95 | | 2.95 - 4.55 | 3.25 - 4.95 | 2.95 - 4.55 | 2.95 - 4.55 | 3.25 - 4.95 |
| 20 | 13.70 | | 2.95 - 5.30 | 4.00 - 5.70 | 3.30 - 5.30 | 2.95 - 5.30 | 4.00 - 5.70 |
| 39 | 14.45 | | 3.05 - 6.05 | 4.75 - 6.45 | 4.05 - 6.05 | 3.05 - 6.05 | 4.75 - 6.45 |
| 52 | 15.20 | | 3.80 - 6.80 | 5.50 - 7.20 | 4.80 - 6.80 | 3.80 - 6.80 | 5.50 - 7.20 |
| 43 | 15.70 | | 4.30 - 7.30 | 6.00 - 7.70 | 5.30 - 7.30 | 4.30 - 7.30 | 6.00 - 7.70 |
| 68 | 16.40 | | 5.00 - 8.00 | 6.70 - 8.40 | 6.00 - 8.00 | 5.00 - 8.00 | 6.70 - 8.40 |
| 21 | 17.10 | | 5.70 - 8.70 | 7.40 - 9.10 | 6.70 - 8.70 | 5.70 - 8.70 | 7.40 - 9.10 |

* STUB PINS - NO REAR PLUG-UP
 ** THE GREATEST RANGE OCCURS WHEN THE B DIMENSION OF PIN 'GND' IS ONE SIZE SHORTER THEN THE OTHER PINS.

| | | | | | | | | | | | |
|-------------|----------------|------------|------|---------------------------------------|--------------------|------------|-------|----------------|--------|---|-----|
| mat'l code | | SEE NOTE 5 | | tolerances unless otherwise specified | | CUSTOMER | | FCJ | | www.fcjconnect.com | |
| ltr | ecm no. | dr | date | linear | 0.X ± .1 | projection | COPY | title | | VERTICAL SIGNAL HDR 5 ROW PRESS-FIT, SPECIAL LOAD, STD. | |
| AG | | | | | .XX ± .05 | | | product family | | METRAL 1000 | |
| | | | | angles | .XXX ± .020 | | scale | size | dwg no | code | 213 |
| | | | | dr | 0° ± 2° | 1:1 | A | 84817 | sheet | 5 | |
| | | | | enr | K. BELL 2000-03-29 | | | | | | |
| | | | | chr | M. HAHN 2000-03-29 | | | | | | |
| | | | | oppd | M. HAHN 2000-03-29 | | | | | | |
| sheet index | revision sheet | | | | | | | | | | |

5.00 MIN-8.00 MAX

Pro/E

PDM: Rev:AG

STATUS:Released

Printed: Dec 17, 2009

cage code 22526



This document is the property of and embodies CONFIDENTIAL and PROPRIETARY information of FCI. No part of the information shown on this document may be used in any way or disclosed to others without the written consent of FCI. Copyright FCI.

| SPECIAL LOAD PATTERNS | | |
|---|-----|-----------|
| PRODUCT # | ROW | PIN CODES |
| 84817-XY001 SEE NOTE 15 LEAD FREE OPTION | E | 01 |
| | D | |
| | C | |
| | B | |
| | A | |
| GND | | |
| 84817-XY002 *RPU SEE NOTE 15 LEAD FREE OPTION | E | 22 |
| | D | |
| | C | |
| | B | |
| | A | |
| GND | | |
| 84817-XY011 SEE NOTE 15 LEAD FREE OPTION | E | 02 |
| | D | |
| | C | |
| | B | |
| | A | |
| GND | 01 | |
| 84817-XY021 SEE NOTE 15 LEAD FREE OPTION | E | 02 |
| | D | |
| | C | |
| | B | |
| | A | |
| GND | | |
| 84817-XY022 SEE NOTE 15 LEAD FREE OPTION | E | 02 |
| | D | |
| | C | |
| | B | |
| | A | |
| GND | | |
| 84817-XY023 SEE NOTE 15 LEAD FREE OPTION | E | 02 |
| | D | 04 |
| | C | 02 |
| | B | |
| | A | |
| GND | | |
| 84817-XY024 *RPU SEE NOTE 15 LEAD FREE OPTION | E | 06 |
| | D | 08 |
| | C | |
| | B | |
| | A | 06 |
| GND | | |
| 84817-XY025 *RPU SEE NOTE 15 LEAD FREE OPTION | E | 06 |
| | D | |
| | C | |
| | B | |
| | A | |
| GND | 01 | |

PCB THICKNESS RANGE FOR REAR PLUG UP APPLICATIONS: 2.95 TO 3.80mm

PCB THICKNESS RANGE FOR REAR PLUG UP APPLICATIONS: 4.00 TO 5.30mm

PCB THICKNESS RANGE FOR REAR PLUG UP APPLICATIONS: *2.30-3.30 TO 5.30mm

| SPECIAL LOAD PATTERNS | | |
|---|-----|-----------|
| PRODUCT # | ROW | PIN CODES |
| 84817-XY026 *RPU SEE NOTE 15 LEAD FREE OPTION | E | 22 |
| | D | |
| | C | |
| | B | |
| | A | |
| GND | 01 | |
| 84817-XY027 *RPU SEE NOTE 15 LEAD FREE OPTION | E | 44 |
| | D | |
| | C | |
| | B | |
| | A | |
| GND | | |
| 84817-XY028 SEE NOTE 15 LEAD FREE OPTION | E | 01 |
| | D | 03 |
| | C | |
| | B | |
| | A | 01 |
| GND | | |
| 84817-XY029 SEE NOTE 15 LEAD FREE OPTION | E | 02 |
| | D | 03 |
| | C | |
| | B | 02 |
| | A | |
| GND | 01 | |
| 84817-XY030 *RPU SEE NOTE 15 LEAD FREE OPTION | E | 06 |
| | D | 07 |
| | C | |
| | B | 06 |
| | A | |
| GND | 01 | |
| 84817-XY031 *RPU SEE NOTE 15 LEAD FREE OPTION | E | 25 |
| | D | 02 |
| | C | |
| | B | 25 |
| | A | |
| GND | 02 | |

PCB THICKNESS RANGE FOR REAR PLUG UP APPLICATIONS: 2.95 TO 3.80mm

PCB THICKNESS RANGE FOR REAR PLUG UP APPLICATIONS: 2.95 TO 3.80mm

PCB THICKNESS RANGE FOR REAR PLUG UP APPLICATIONS: 2.95 TO 3.80mm

PCB THICKNESS RANGE FOR REAR PLUG UP APPLICATIONS: 2.95 TO 3.80mm

| | | | | | |
|--------------------------|----------|---------------------------------------|------|-------------------------|---|
| mat'l code SEE NOTE 5 | | tolerances unless otherwise specified | | CUSTOMER | www.fciconnect.com |
| lfr | ecm no. | dr | date | COPY | |
| AG | | | | projection | title VERTICAL SIGNAL HDR 5 ROW PRESS-FIT, SPECIAL LOAD, STD. |
| | | | | linear 0.XX ±.1 | |
| | | | | angles 0° ±2° | product family METRAL 1000 |
| | | | | dr K. BELL 2000-03-29 | code 213 |
| | | | | engr M. HAHN 2000-03-29 | sheet 6 |
| | | | | chr M. HAHN 2000-03-29 | size dwg no 84817 |
| | | | | appd M. HAHN 2000-03-29 | scale 1:1 |
| sheet | revision | | | | |
| index | sheet | | | | |

1 | 2

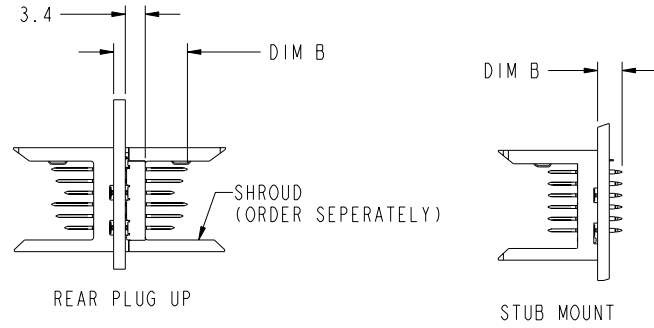
3 |

4

| SPECIAL LOAD PATTERNS | | |
|---|-----|-----------|
| PRODUCT # | ROW | PIN CODES |
| 84817-XY032 SEE NOTE 15 LEAD FREE OPTION | E | 22 |
| | D | |
| | C | 45 |
| | B | |
| | A | |
| GND | 22 | |
| 84817-XY033 *RPU SEE NOTE 15 LEAD FREE OPTION | E | 06 |
| | D | |
| | C | |
| | B | 30 |
| | A | |
| GND | 30 | |
| 84817-XY034 SEE NOTE 15 LEAD FREE OPTION | E | 03 |
| | D | |
| | C | |
| | B | 02 |
| | A | |
| GND | 02 | |
| 84817-XY035 SEE NOTE 15 LEAD FREE OPTION | E | 01 |
| | D | |
| | C | |
| | B | - |
| | A | |
| GND | 01 | |
| 84817-XY036 *RPU SEE NOTE 15 LEAD FREE OPTION | E | 22 |
| | D | |
| | C | 01 |
| | B | |
| | A | |
| GND | 22 | |
| 84817-XY037 SEE NOTE 15 LEAD FREE OPTION | E | 01 |
| | D | |
| | C | |
| | B | 02 |
| | A | |
| GND | 02 | |
| 84817-XY038 *RPU SEE NOTE 15 LEAD FREE OPTION | E | 49 |
| | D | |
| | C | |
| | B | 36 |
| | A | |
| GND | 06 | |
| 84817-XY039 *RPU SEE NOTE 15 LEAD FREE OPTION | E | 36 |
| | D | |
| | C | |
| | B | 06 |
| | A | |
| GND | 06 | |

PCB THICKNESS
RANGE FOR REAR
PLUG UP
APPLICATIONS:
2.95 TO 3.80mm

PCB THICKNESS
RANGE FOR REAR
PLUG UP
APPLICATIONS:
4.80 TO 6.80mm



This document is the property of and embodies
 CONFIDENTIAL and PROPRIETARY information of FCI.
 No part of the information shown on this
 document may be used in any way or disclosed
 to others without the written consent of FCI.
 Copyright FCI.

| | | | | | | | | | | | |
|-------------|----------------|------------|------|---------------------------------------|--------------------|------------|-----------|-----|-------------------------------|--------------------|--|
| mat'l code | | SEE NOTE 5 | | tolerances unless otherwise specified | | CUSTOMER | | FCI | | www.fciconnect.com | |
| litr | ecm no. | dr | date | linear | 0.X ± .1 | projection | COPY | | title | | |
| AG | | | | | .XXX ± .05 | | | | VERTICAL SIGNAL HDR 5 ROW | | |
| | | | | angles | .XXX ± .020 | | | | PRESS-FIT, SPECIAL LOAD, STD. | | |
| | | | | dr | 0° ± 2° | | | | product family | | |
| | | | | enr | K. BELL 2000-03-29 | MM | | | METRAL 1000 | | |
| | | | | chr | M. HAHN 2000-03-29 | scale | | | code | | |
| | | | | oppd | M. HAHN 2000-03-29 | 1:1 | | | 213 | | |
| sheet index | revision sheet | | | | | | size | | sheet | | |
| | | | | | | | A | | 7 | | |
| | | | | | | | 84817 | | | | |
| | | | | | | | cage code | | code | | |
| | | | | | | | 22526 | | 213 | | |

REV E - 2004-04-18

1 | 2

3 |

4

Pro/E

PDM: Rev:AG STATUS: **Released** Printed: Dec 17, 2009