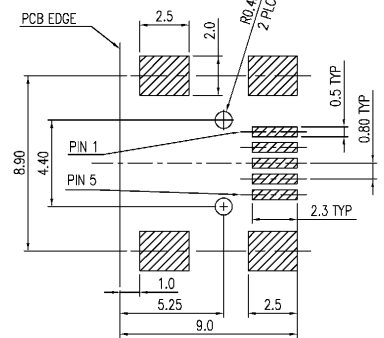
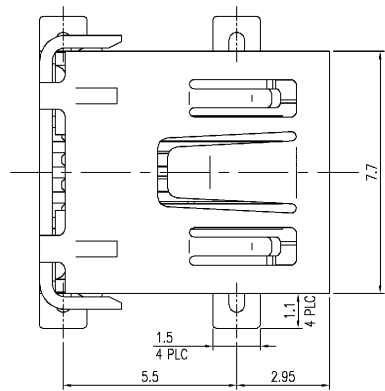
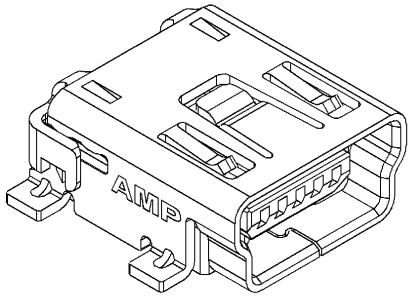
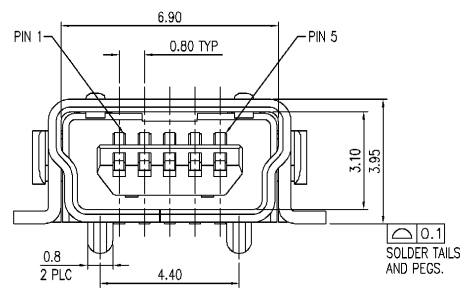
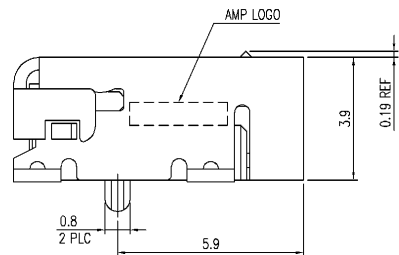
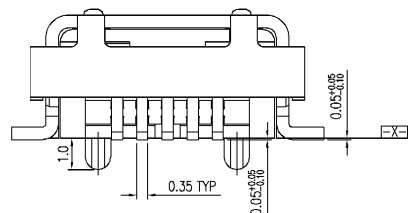


NUMBER C-440247  
METRIC  
3RD ANGLE PROJECTION



RECOMMENDED PCB LAYOUT (MOUNTING SIDE)  
THICKNESS 1.57mm



NOTE:  
1. MATERIAL:  
HOUSING: HIGH TEMPERATURE THERMOPLASTIC UL 94V-0, COLOR: BLACK.  
CONTACT: PHOSPHOR BRONZE.  
SHELL: PHOSPHOR BRONZE.  
2. FINISH:  
CONTACT: 30u" MIN. GOLD PLATED IN CONTACT AREA, 100u" MIN. TIN-LEAD  
TIN ON SOLDER TAILS, 50u" MIN. NICKEL UNDERPLATED ALL OVER.  
SHELL: 100u" MIN. HALF-BRIGHT TIN OVER 100u" MIN. CU UNDERPLATED.

W/	W/O	TAPE REEL	W/	440247-4
W/O	W/	TAPE REEL	W/	440247-3
W/O	W/O	TAPE REEL	W/	440247-2
W/O	N/A	TRAY	W/	440247-1
MYLAR	LONG CARRIER & COVER TAPE	PACKAGE	POST	PART NUMBER

DWN		O. HU	27-JUN-2003		 TYCO HOLDINGS (BERMUDA) VII LTD. TAIWAN BRANCH
CHK		A. WU	27-JUN-2003		
MATERIAL		APVD	J. CHENG	27-JUN-2003	
SEE NOTE		PRODUCT SPEC	108-57062		MINI USB RIGHT ANGLE, SMT, B TYPE
FINISH		APPLICATION SPEC	-		LOC DW
SEE NOTE		WEIGHT	-		SCALE
D		ADD P/N FOR PACKAGE	F200-0149-03	CH AM	04JUL 2003
LTR		REVISION RECORD	ECN	DWN CHK	DATE

PRINT DW  
THIS INFORMATION IS CONFIDENTIAL AND IS DISCLOSED TO YOU ON CONDITION THAT NO PARTS OR DISASSEMBLED PARTS WILL BE MADE BY YOU OR OTHER THAN AMP PERSONNEL WITHOUT THE WRITTEN PERMISSION OF AMP. DIMENSIONS IN MILLIMETERS. DO NOT SCALE PRINT.

8 | 7 | 6 | 5 | 4 | 3 | 2 | 1 | CUSTOMER DRAWING

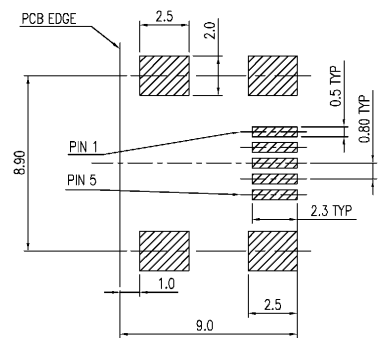
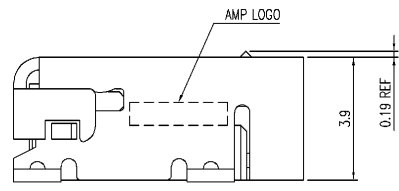
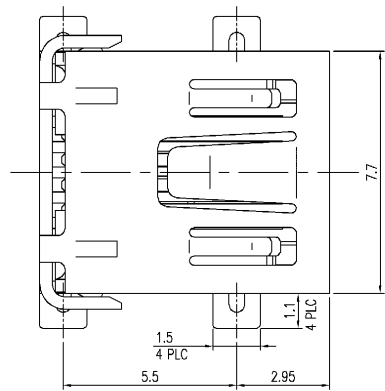
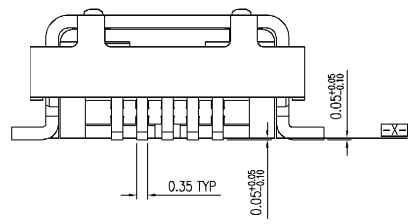
D  
C  
B  
A

NUMBER C-440247

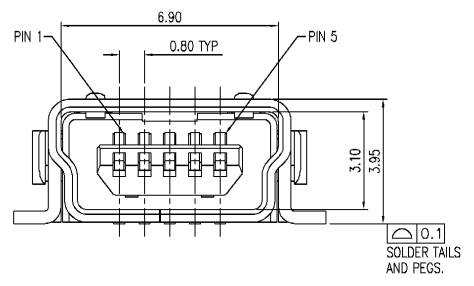


METRIC

PRINT DIST DW THIS INFORMATION IS CONFIDENTIAL AND IS DISCLOSED TO YOU ON CONDITION THAT NO FURTHER DISCLOSURE IS MADE BY YOU TO OTHER THAN AMP PERSONNEL WITHOUT THE WRITTEN PERMISSION OF AMP. DIMENSION IN MILLIMETERS. DO NOT SCALE PRINT.



RECOMMENDED PCB LAYOUT (MOUNTING SIDE)  
THICKNESS 1.57mm



W/O	W/	TAPE REEL	W/O	1-440247-3
	W/O	TAPE REEL	W/O	1-440247-2
	N/A	TRAY	W/O	1-440247-1
MYLAR	LONG CARRIER & COVER TAPE	PACKAGE	POST	PART NUMBER

DIMENSION :	DWN	O. HU		TYCO HOLDINGS (BERMUDA) VII LTD. TAIWAN BRANCH
	0 PLC ±0.38	27-JUN-2003		
1 PLC ±0.25	CHK	A. WU	NAME	
2 PLC ±0.13		27-JUN-2003	MINI USB RIGHT ANGLE, SMT, B TYPE	
3 PLC ±0.05	MATERIAL	APVD	J. CHENG	
ANGLES ±3	SEE SHEET 1.	PRODUCT SPEC	108-57062	
	FINISH	APPLICATION SPEC	LOC	SIZE
	SEE SHEET 1.	WEIGHT	DW	DRAWING NO
			SCALE	C-440247
				REV
				D
				SHEET
				2 OF 4

SEE SHEET 1.	ECN	DWN	CHK	DATE
LTR	REVISION RECORD			

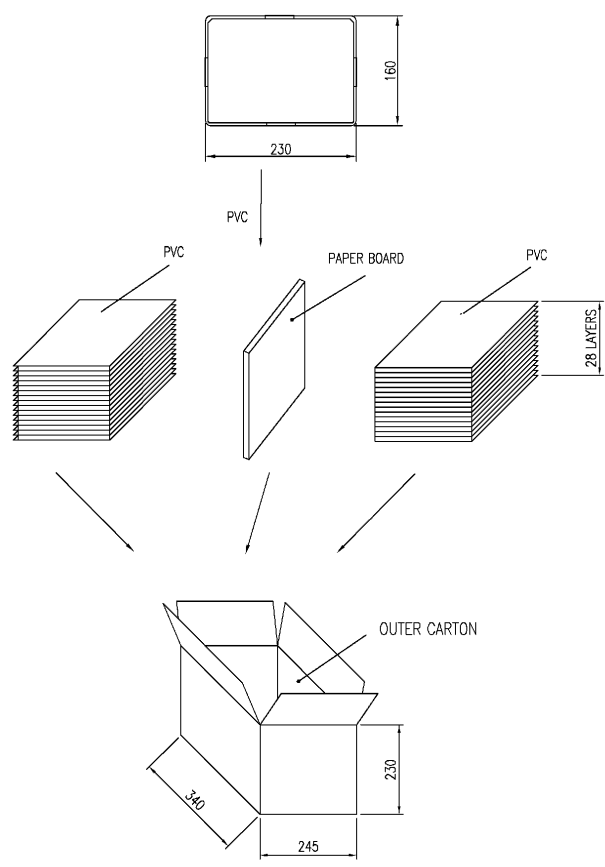
CUSTOMER DRAWING

NUMBER C-440247



METRIC

PRINT DIST DW THIS INFORMATION IS CONFIDENTIAL AND IS DISCLOSED TO YOU ON CONDITION THAT NO FURTHER DISCLOSURE IS MADE BY YOU TO OTHER THAN AMP PERSONNEL WITHOUT PERMISSION FROM AMP. DIMENSION IN MILLIMETERS. DO NOT SCALE PRINT.



9.2	6.7	8400 (56 TRAY)	150	1-440247-1 440247-1
G.W(KGS)	N.W(KGS)	PACKAGING QTY' / CARTON	PCS/TRAY	PART NUMBER
DIMENSION :		DWN	O. HU	 TYCO HOLDINGS (BERMUDA) VII LTD. TAIWAN BRANCH
0 PLC	1 PLC	CHK	27-JUN-2003	
2 PLC	3 PLC	APVD		MINI USB RIGHT ANGLE, SMT, B TYPE
ANGLES		J. CHENG		
MATERIAL		PRODUCT SPEC		LOC SIZE DRAWING NO DW A3 C-440247
-		-		
FINISH		APPLICATION SPEC		SCALE SHEET -- 3 OF 4
-		WEIGHT		

SEE SHEET 1.	ECN	DWN	CHK	DATE
LTR	REVISION RECORD			

8 | 7 | 6 | 5 | 4 | 3 | 2 | 1  
 CUSTOMER DRAWING

NUMBER C-440247  
 METRIC  
 3RD ANGLE PROJECTION

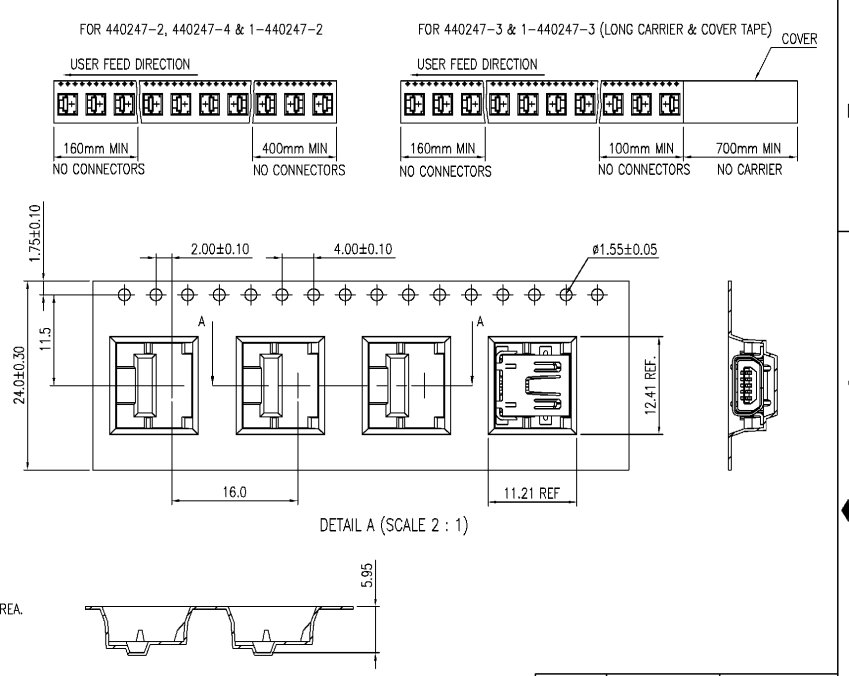
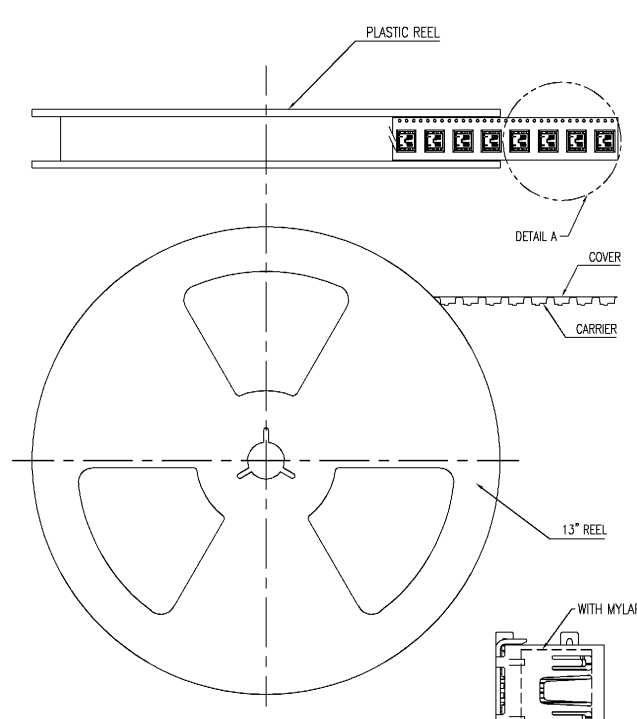
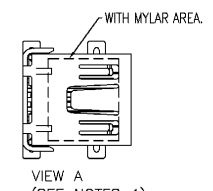
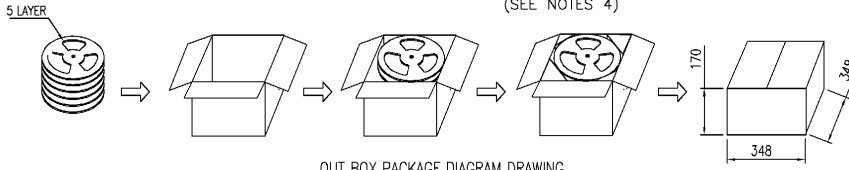


FIGURE E



- NOTES:
1. APPLICABLE DOCUMENT : EIA-481-2
  2. PACKAGE: 700 PCS/REEL , 5 REEL/BOX  
W.G. : 6.5Kg , N.G. : 5.5Kg
  3. QUANTITY: 3500 PCS.
  4. VIEW SHOW THE MYLAR AREA FOR P/N 440247-4

W/O	W/	1-440247-3
W/O	W/O	1-440247-2
W/	W/O	440247-4
W/O	W/	440247-3
W/O	W/O	440247-2
MYLAR	LONG CARRIER & COVER TAPE	PART NUMBER



OUT BOX PACKAGE DIAGRAM DRAWING

DIMENSION :	DWN	O. HU	TYCO Electronics	TYCO HOLDINGS (BERMUDA) VII LTD. TAIWAN BRANCH
0 PLC	27-JUN-2003	27-JUN-2003	NAME	
1 PLC	CHK	A. WU		
2 PLC		27-JUN-2003		
3 PLC				
ANGLES				
MATERIAL	APVD	J. CHENG	MINI USB RIGHT ANGLE, SMT, B TYPE	
	PRODUCT SPEC	27-JUN-2003		
FINISH	APPLICATION SPEC		LOC	SIZE
	WEIGHT		DW	A3
			SCALE	DRAWING NO
				C-440247
				REV
				D
				SHEET
				4 OF 4

PRINT DW

SEE SHEET 1.				
LTR	REVISION RECORD	ECN	DWN_CHK	DATE

8 7 6 5 4 3 2 1 CUSTOMER DRAWING