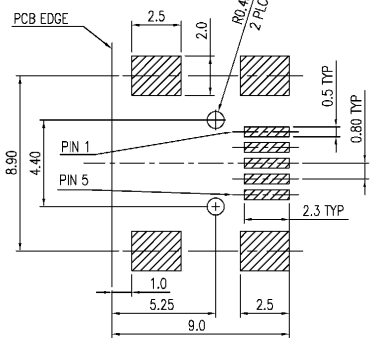
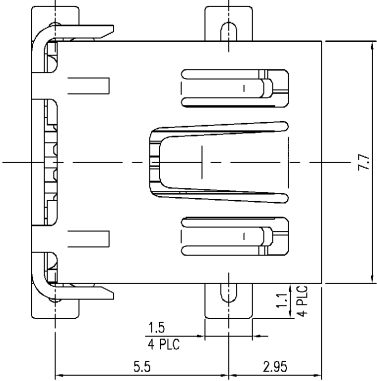
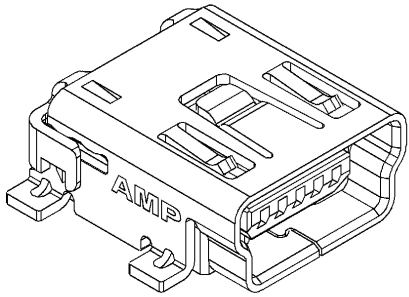
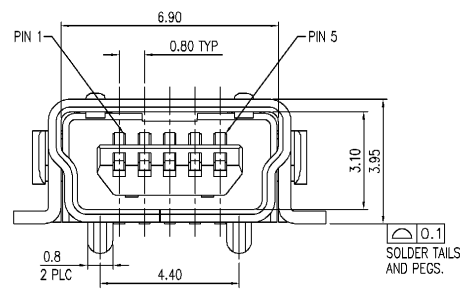
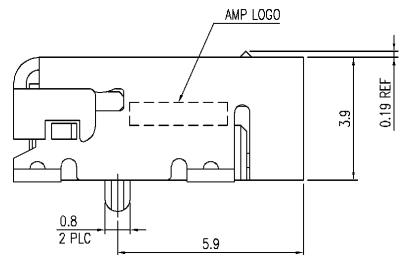
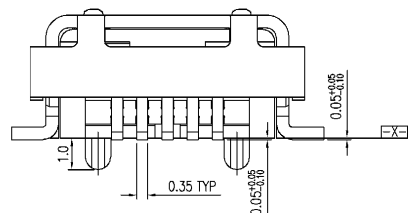


NUMBER C-440247
 METRIC
 3RD ANGLE PROJECTION



RECOMMENDED PCB LAYOUT (MOUNTING SIDE)
 THICKNESS 1.57mm



NOTE:
 1. MATERIAL:
 HOUSING: HIGH TEMPERATURE THERMOPLASTIC UL 94V-0, COLOR: BLACK.
 CONTACT: PHOSPHOR BRONZE.
 SHELL: PHOSPHOR BRONZE.
 2. FINISH:
 CONTACT: 30u" MIN. GOLD PLATED IN CONTACT AREA, 100u" MIN. TIN-LEAD
 TIN ON SOLDER TAILS, 50u" MIN. NICKEL UNDERPLATED ALL OVER.
 SHELL: 100u" MIN. HALF-BRIGHT TIN OVER 100u" MIN. CU UNDERPLATED.

| | | | | |
|-------|---------------------------|-----------|------|-------------|
| W/ | W/O | TAPE REEL | W/ | 440247-4 |
| W/O | W/ | TAPE REEL | W/ | 440247-3 |
| W/O | W/O | TAPE REEL | W/ | 440247-2 |
| W/O | N/A | TRAY | W/ | 440247-1 |
| MYLAR | LONG CARRIER & COVER TAPE | PACKAGE | POST | PART NUMBER |

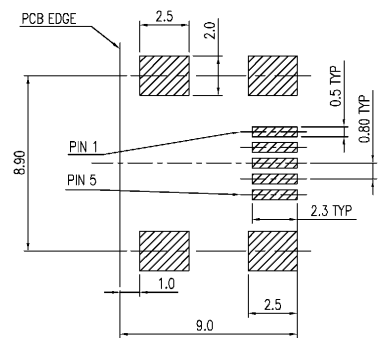
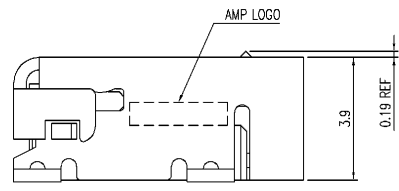
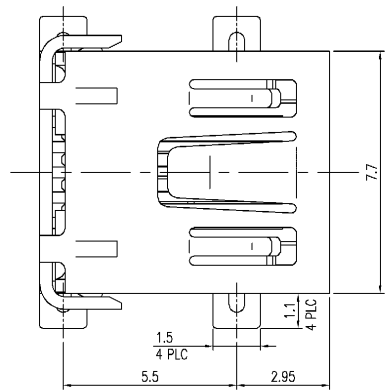
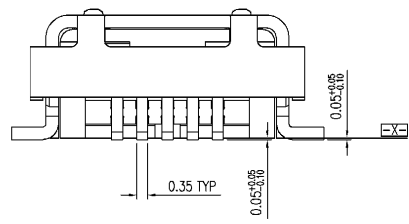
| | | | | | | |
|----------|--|---------------------|--------------|-----------------------------------|-------------------------|------------|
| DWN | | O. HU | tyco | | TYCO HOLDINGS (BERMUDA) | |
| CHK | | 27-JUN-2003 | Electronics | | VII LTD. TAIWAN BRANCH | |
| MATERIAL | | APVD | J. CHENG | NAME | | |
| SEE NOTE | | PRODUCT SPEC | 27-JUN-2003 | MINI USB RIGHT ANGLE, SMT, B TYPE | | |
| FINISH | | APPLICATION SPEC | 108-57062 | LOC | SIZE | DRAWING NO |
| SEE NOTE | | WEIGHT | - | DW | A3 | C-440247 |
| D | | ADD P/N FOR PACKAGE | F200-0149-03 | SCALE | - | SHEET |
| LTR | | REVISION RECORD | ECN | 1 OF 4 | | |

PRINT DW
 THIS INFORMATION IS CONFIDENTIAL AND IS DISCLOSED TO YOU ON CONDITION THAT NO PARTS OR DIMENSIONS BE MADE BY YOU TO OTHER THAN AMP PERSONNEL WITHOUT DIMENSION IN MILLIMETERS. DO NOT SCALE PRINT.

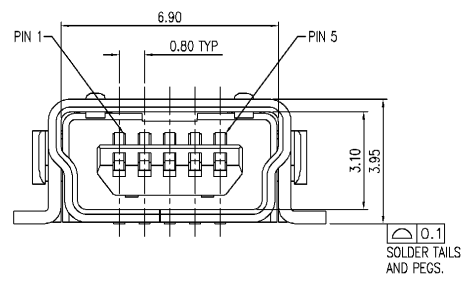
8 | 7 | 6 | 5 | 4 | 3 | 2 | 1 | CUSTOMER DRAWING

NUMBER C-440247
 3RD ANGLE PROJECTION
 METRIC

PRINT DW
 THIS INFORMATION IS CONFIDENTIAL AND IS DISCLOSED TO YOU ON CONDITION THAT NO FURTHER DISCLOSURE IS MADE BY YOU TO OTHER THAN AMP PERSONNEL WITHOUT THE WRITTEN PERMISSION OF AMP. DIMENSION IN MILLIMETERS. DO NOT SCALE PRINT.



RECOMMENDED PCB LAYOUT (MOUNTING SIDE)
 THICKNESS 1.57mm



| | | | | |
|-------|---------------------------|-----------|------|-------------|
| W/O | W/ | TAPE REEL | W/O | 1-440247-3 |
| | W/O | TAPE REEL | W/O | 1-440247-2 |
| | N/A | TRAY | W/O | 1-440247-1 |
| MYLAR | LONG CARRIER & COVER TAPE | PACKAGE | POST | PART NUMBER |

| | | | | | |
|--------------|------------------------|-----------------------------------|--|------------|-----|
| DWN | O. HU | | TYCO HOLDINGS (BERMUDA) VII LTD. TAIWAN BRANCH | | |
| | 27-JUN-2003 | | | | |
| CHK | A. WU | NAME | | | |
| | 27-JUN-2003 | MINI USB RIGHT ANGLE, SMT, B TYPE | | | |
| MATERIAL | APVD J. CHENG | LOC | SIZE | DRAWING NO | REV |
| SEE SHEET 1. | 27-JUN-2003 | DW | A3 | C-440247 | D |
| FINISH | PRODUCT SPEC 108-57062 | SCALE | SHEET | | |
| SEE SHEET 1. | APPLICATION SPEC - | 2 OF 4 | | | |
| | WEIGHT | | | | |

| | | | | |
|--------------|-----------------|-----|-----|------|
| SEE SHEET 1. | ECN | DWN | CHK | DATE |
| LTR | REVISION RECORD | | | |

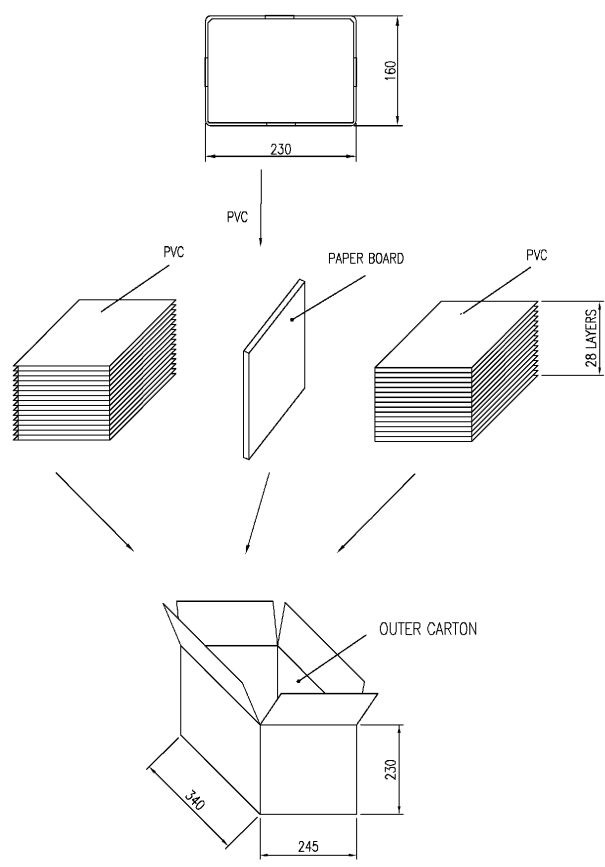
8 | 7 | 6 | 5 | 4 | 3 | 2 | 1
 CUSTOMER DRAWING

NUMBER C-440247



METRIC

PRINT DIST DW THIS INFORMATION IS CONFIDENTIAL AND IS DISCLOSED TO YOU ON CONDITION THAT NO FURTHER DISCLOSURE IS MADE BY YOU TO OTHER THAN AMP PERSONNEL WITHOUT PERMISSION FROM AMP PERSONNEL. DO NOT SCALE PRINT.



| | | | | |
|-------------|----------|-------------------------|-------------|--|
| 9.2 | 6.7 | 8400 (56 TRAY) | 150 | 1-440247-1 |
| G.W(KGS) | N.W(KGS) | PACKAGING QTY' / CARTON | PCS/TRAY | PART NUMBER |
| DIMENSION : | | DWN | O. HU | TYCO HOLDINGS (BERMUDA) VII LTD. TAIWAN BRANCH |
| 0 PLC | 1 PLC | 27-JUN-2003 | 27-JUN-2003 | |
| 2 PLC | 3 PLC | 27-JUN-2003 | 27-JUN-2003 | NAME |
| ANGLES | | | | MINI USB RIGHT ANGLE, SMT, B TYPE |
| MATERIAL | | APVD | J. CHENG | LOC SIZE DRAWING NO DW A3 C-440247 SCALE SHEET |
| | | PRODUCT SPEC | 27-JUN-2003 | |
| FINISH | | APPLICATION SPEC | | REV D |
| | | WEIGHT | | 3 OF 4 |

| | | | |
|--------------|-----------------|-----|---------|
| SEE SHEET 1. | | | |
| LTR | REVISION RECORD | ECN | DWN/CHK |
| | | | DATE |

CUSTOMER DRAWING

NUMBER C-440247
3RD ANGLE PROJECTION
METRIC

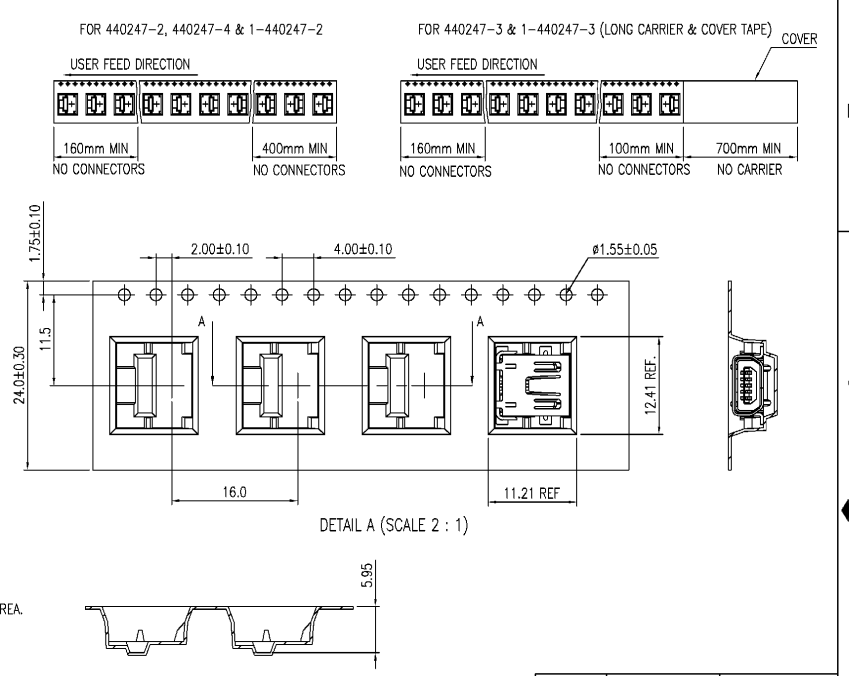
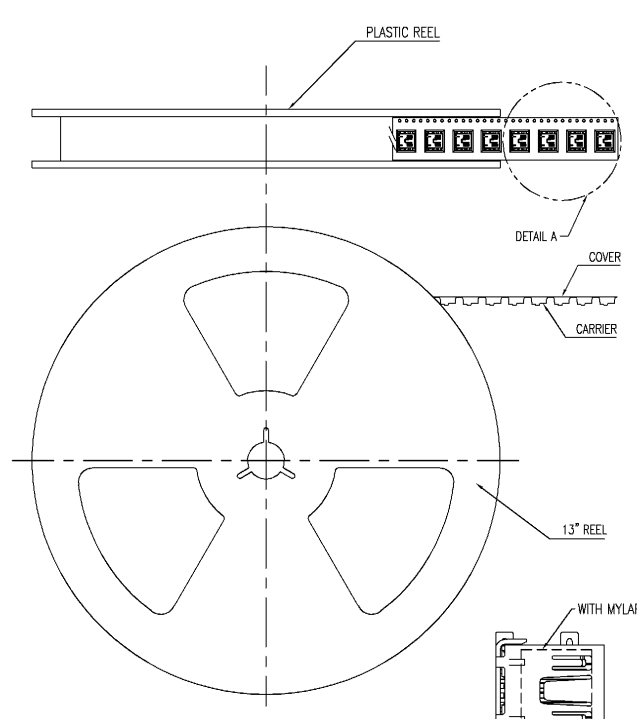
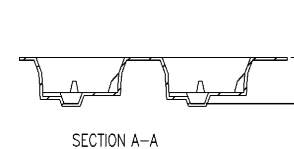
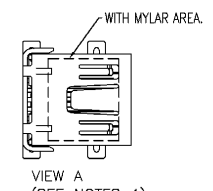
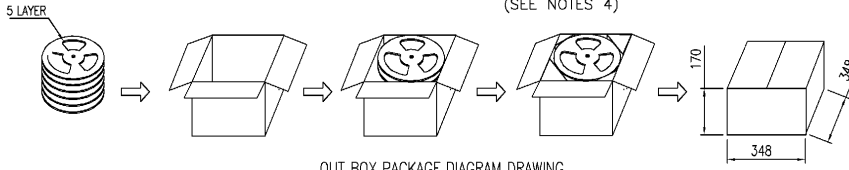


FIGURE E



- NOTES:
1. APPLICABLE DOCUMENT : EIA-481-2
 2. PACKAGE: 700 PCS/REEL , 5 REEL/BOX
W.G. : 6.5Kg , N.G. : 5.5Kg
 3. QUANTITY: 3500 PCS.
 4. VIEW SHOW THE MYLAR AREA FOR P/N 440247-4

| | | |
|-------|---------------------------|-------------|
| W/O | W/ | 1-440247-3 |
| W/O | W/O | 1-440247-2 |
| W/ | W/O | 440247-4 |
| W/O | W/ | 440247-3 |
| W/O | W/O | 440247-2 |
| MYLAR | LONG CARRIER & COVER TAPE | PART NUMBER |



OUT BOX PACKAGE DIAGRAM DRAWING

| | | | | | |
|-------------|------------------|----------|-------------|-----------------------------------|--|
| DIMENSION : | DWN | O. HU | 27-JUN-2003 | | TYCO HOLDINGS (BERMUDA) VII LTD. TAIWAN BRANCH |
| 0 PLC | CHK | A. WU | 27-JUN-2003 | | |
| 1 PLC | APVD | J. CHENG | 27-JUN-2003 | MINI USB RIGHT ANGLE, SMT, B TYPE | |
| 2 PLC | PRODUCT SPEC | - | - | LOC | SIZE |
| 3 PLC | APPLICATION SPEC | - | - | DW | A ₃ |
| ANGLES | WEIGHT | - | - | SCALE | --- |
| --- | | | | DRAWING NO | C-440247 |
| | | | | REV | D |
| | | | | SHEET | 4 OF 4 |

PRINT DW

| | | | | |
|--------------|-----|-----|-----|------|
| SEE SHEET 1. | ECN | DWN | CHK | DATE |
| --- | --- | --- | --- | --- |

8 | 7 | 6 | 5 | 4 | 3 | 2 | 1
CUSTOMER DRAWING

THIS INFORMATION IS CONFIDENTIAL AND IS DISCLOSED TO YOU ON CONDITION THAT NO FURTHER DISCLOSURE IS MADE BY YOU TO OTHER THAN AMP PERSONNEL WITHOUT THE WRITTEN PERMISSION OF AMP. DO NOT SCALE PRINT.