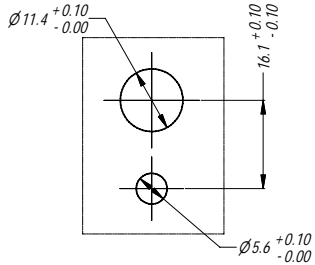
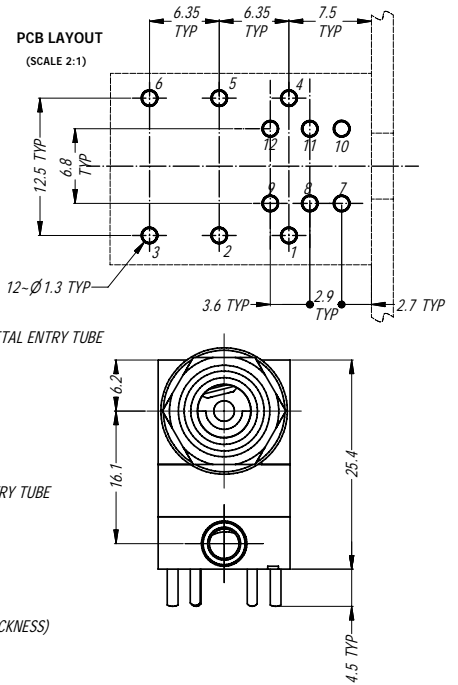
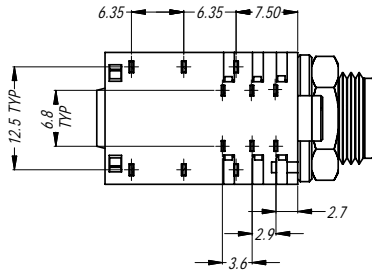
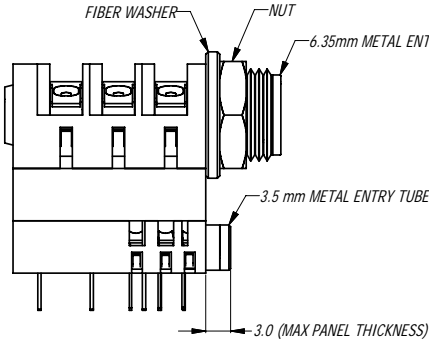
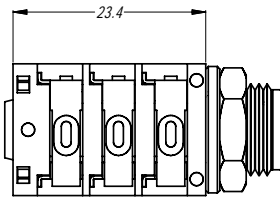
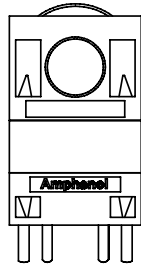


3D VIEW



PANEL CUTOUT  
(SCALE 1:1)



ACJS-MHD985	3.5mm & 1/4" STEREO PHONE DUAL JACK
ACJM-MHD985	3.5mm & 1/4" MONO PHONE DUAL JACK
PART NUMBER	DESCRIPTION

UNLESS OTHERWISE SPECIFIED TOLERANCES TO BE		THIS DOCUMENT IS THE PROPERTY OF AMPHENOL AUSTRALIA PTY. LTD. NO PART THEREOF MAY BE REPRODUCED AND USED WITHOUT THE PRIOR WRITTEN CONSENT OF THE OWNER			
LINEAR	ANGULAR	CAD FILE:	DRN:	DATE:	
X.X ±	X° ±1	55010386000110	T.N	28/09/06	
X.X ±	X'X" ±30"	MATL:	CKD:	DATE:	
X.XX ±	X'XX" ±15'	REFER TO COMPONENT	M.H	09/02/09	
BREAK ALL SHARP EDGES AND REMOVE ALL BURRS		FINISH:	APP'D:	DATE:	
DO NOT SCALE		REFER TO COMPONENT	P.M	09/02/09	
DIMENSIONS IN MILLIMETRES		SCALE:	3:2	PART No:	

0	FIRST ISSUED	M.H	09/02/09	8798
REV	DESCRIPTION	BY	DATE	CHG NOTE
REVISION HISTORY				
TITLE:		<b>Amphenol</b>		
<b>6.35mm &amp; 3.5mm HORIZONTAL DUAL JACK</b>		Amphenol Australia Pty Ltd, 2 Fieway Blvd, Keysborough, Vic3173		
DRAWING NO.		SHEET		
SEE TABLE		55010386-001-1 1/1		
SIZE: A4				