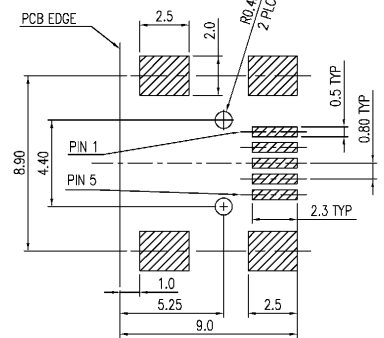
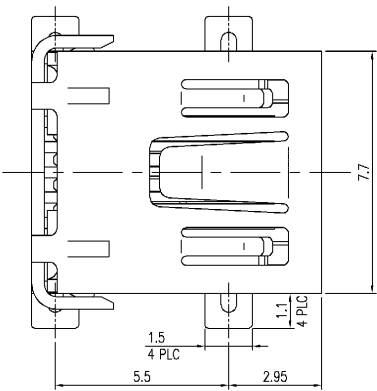
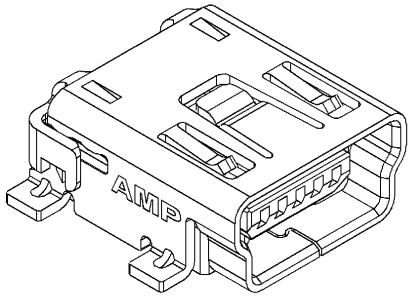
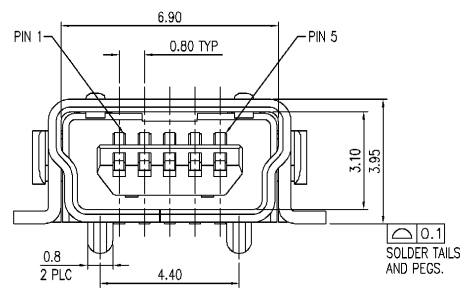
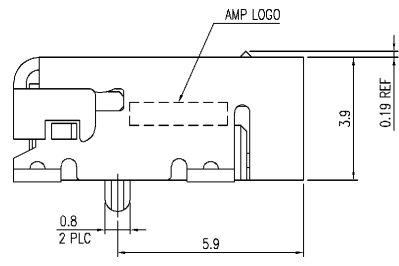
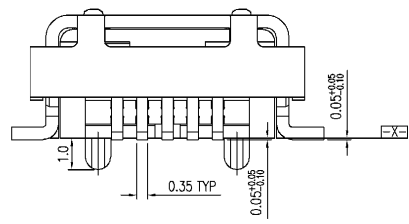


NUMBER C-440247
 METRIC
 3RD ANGLE PROJECTION



RECOMMENDED PCB LAYOUT (MOUNTING SIDE)
 THICKNESS 1.57mm



NOTE:
 1. MATERIAL:
 HOUSING: HIGH TEMPERATURE THERMOPLASTIC UL 94V-0, COLOR: BLACK.
 CONTACT: PHOSPHOR BRONZE.
 SHELL: PHOSPHOR BRONZE.
 2. FINISH:
 CONTACT: 30u" MIN. GOLD PLATED IN CONTACT AREA, 100u" MIN. TIN-LEAD
 TIN ON SOLDER TAILS, 50u" MIN. NICKEL UNDERPLATED ALL OVER.
 SHELL: 100u" MIN. HALF-BRIGHT TIN OVER 100u" MIN. CU UNDERPLATED.

W/	W/O	TAPE REEL	W/	440247-4
W/O	W/	TAPE REEL	W/	440247-3
W/O	W/O	TAPE REEL	W/	440247-2
W/O	N/A	TRAY	W/	440247-1
MYLAR	LONG CARRIER & COVER TAPE	PACKAGE	POST	PART NUMBER

DIMENSION : 0 PLC ±0.38 1 PLC ±0.25 2 PLC ±0.13 3 PLC ±0.05 ANGLES ±3°		DWN O. HU 27-JUN-2003 CHK A. WU 27-JUN-2003	 TYCO HOLDINGS (BERMUDA) VII LTD. TAIWAN BRANCH
MATERIAL	SEE NOTE	APVD J. CHENG 27-JUN-2003 PRODUCT SPEC 108-57062	NAME MINI USB RIGHT ANGLE, SMT, B TYPE
FINISH	SEE NOTE	APPLICATION SPEC - WEIGHT -	LOC DW A3 SIZE 3 DRAWING NO C-440247 REV D SCALE - SHEET 1 OF 4

D	ADD P/N FOR PACKAGE	FZ00-0149-03	CH AM	04JUL 2003
LTR	REVISION RECORD	ECN	DWN CHK	DATE

PRINT DW
 THIS INFORMATION IS CONFIDENTIAL AND IS DISCLOSED TO YOU ON CONDITION THAT NO PARTS OR DISASSEMBLED PARTS WILL BE MADE BY YOU OR OTHER THAN AMP PERSONNEL WITHOUT THE WRITTEN PERMISSION OF AMP. DIMENSIONS IN MILLIMETERS. DO NOT SCALE PRINT.

8 | 7 | 6 | 5 | 4 | 3 | 2 | 1 | CUSTOMER DRAWING

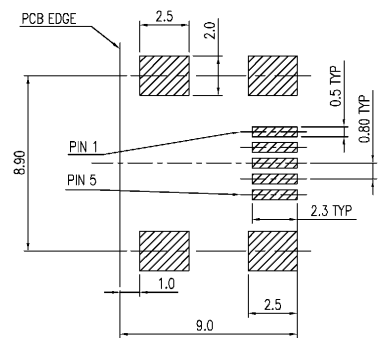
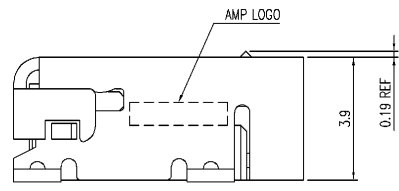
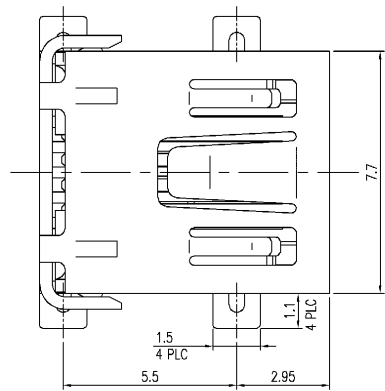
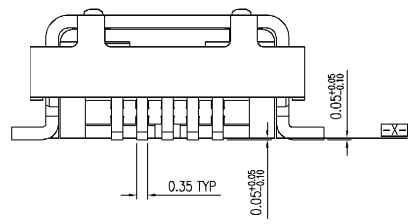
D
C
B
A

NUMBER C-440247

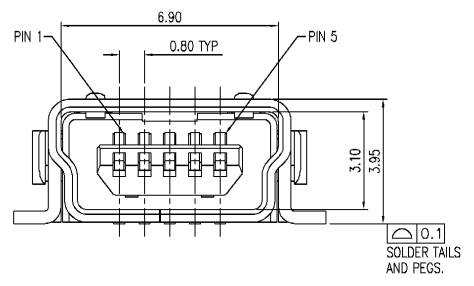


METRIC

PRINT DIST DW THIS INFORMATION IS CONFIDENTIAL AND IS DISCLOSED TO YOU ON CONDITION THAT NO FURTHER DISCLOSURE IS MADE BY YOU TO OTHER THAN AMP PERSONNEL WITHOUT THE WRITTEN PERMISSION OF AMP. DIMENSION IN MILLIMETERS. DO NOT SCALE PRINT.



RECOMMENDED PCB LAYOUT (MOUNTING SIDE)
THICKNESS 1.57mm



W/O	W/	TAPE REEL	W/O	1-440247-3
	W/O	TAPE REEL	W/O	1-440247-2
	N/A	TRAY	W/O	1-440247-1
MYLAR	LONG CARRIER & COVER TAPE	PACKAGE	POST	PART NUMBER

DIMENSION :	DWN	O. HU		TYCO HOLDINGS (BERMUDA) VII LTD. TAIWAN BRANCH
	0 PLC ±0.38	27-JUN-2003		
1 PLC ±0.25	CHK	A. WU	NAME	
2 PLC ±0.13		27-JUN-2003	MINI USB RIGHT ANGLE, SMT, B TYPE	
3 PLC ±0.05	MATERIAL	APVD	J. CHENG	
ANGLES ±3	SEE SHEET 1.	PRODUCT SPEC	108-57062	
	FINISH	APPLICATION SPEC	LOC	SIZE
	SEE SHEET 1.	WEIGHT	DW	DRAWING NO
			SCALE	C-440247
				REV
				D
				SHEET
				2 OF 4

SEE SHEET 1.	ECN	DWN	CHK	DATE
LTR	REVISION RECORD			

CUSTOMER DRAWING

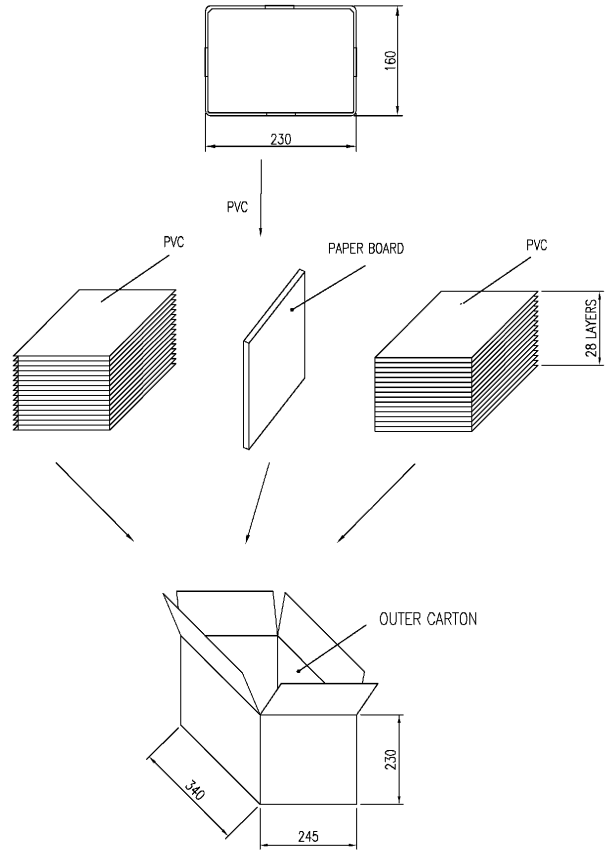
8 | 7 | 6 | 5 | 4 | 3 | 2 | 1

NUMBER C-440247



METRIC

PRINT DIST DW THIS INFORMATION IS CONFIDENTIAL AND IS DISCLOSED TO YOU ON CONDITION THAT NO FURTHER DISCLOSURE IS MADE BY YOU TO OTHER THAN AMP PERSONNEL WITHOUT PERMISSION FROM AMP PERSONNEL. DO NOT SCALE PRINT.



9.2	6.7	8400 (56 TRAY)	150	1-440247-1 440247-1
G.W(KGS)	N.W(KGS)	PACKAGING QTY' / CARTON	PCS/TRAY	PART NUMBER
DIMENSION :		DWN	O. HU	 TYCO HOLDINGS (BERMUDA) VII LTD. TAIWAN BRANCH
0 PLC	1 PLC	27-JUN-2003	27-JUN-2003	
2 PLC	3 PLC	CHK	A. WU	NAME
ANGLES			27-JUN-2003	
MATERIAL		APVD	J. CHENG	MINI USB RIGHT ANGLE, SMT, B TYPE
-		PRODUCT SPEC	27-JUN-2003	
FINISH		APPLICATION SPEC	-	LOC
-		WEIGHT	-	SIZE
				DRAWING NO
				C-440247
				REV
				D
				SCALE
				3
				SHEET
				3 OF 4

SEE SHEET 1.				
LTR	REVISION RECORD	ECN	DWN_CHK	DATE

8 | 7 | 6 | 5 | 4 | 3 | 2 | 1
 CUSTOMER DRAWING

D
C
B
A

THIS INFORMATION IS CONFIDENTIAL AND IS DISCLOSED TO YOU ON CONDITION THAT NO FURTHER DISCLOSURE IS MADE BY YOU TO OTHER THAN AMP PERSONNEL WITHOUT THE WRITTEN PERMISSION OF AMP. DO NOT SCALE PRINT.

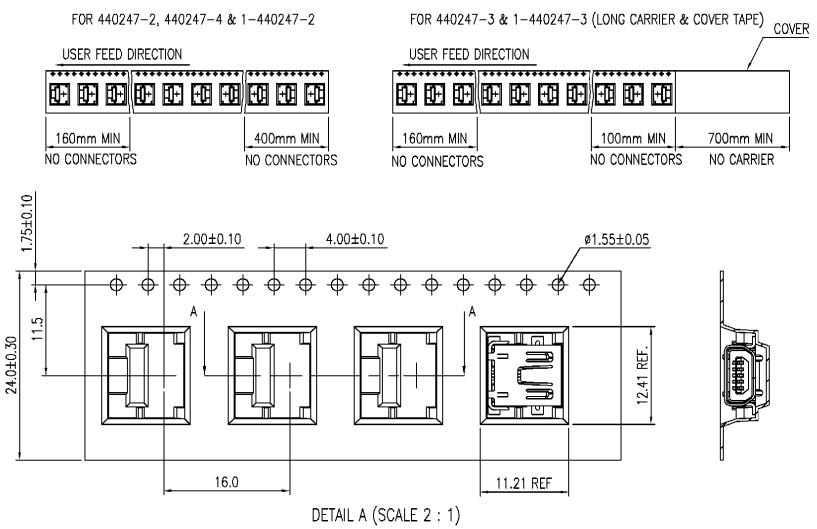
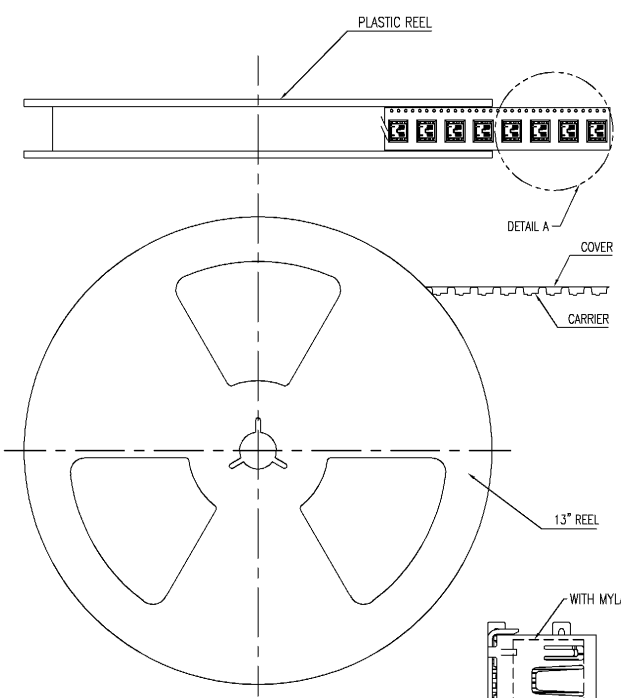
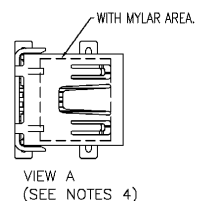
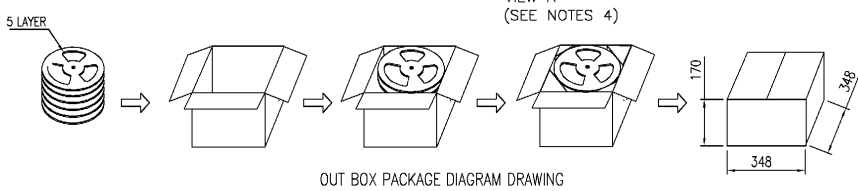


FIGURE E



- NOTES:
1. APPLICABLE DOCUMENT : EIA-481-2
 2. PACKAGE: 700 PCS/REEL , 5 REEL/BOX
W.G. : 6.5Kg , N.G. : 5.5Kg
 3. QUANTITY: 3500 PCS.
 4. VIEW SHOW THE MYLAR AREA FOR P/N 440247-4

W/O	W/	1-440247-3
W/O	W/O	1-440247-2
W/	W/O	440247-4
W/O	W/	440247-3
W/O	W/O	440247-2
MYLAR	LONG CARRIER & COVER TAPE	PART NUMBER



DIMENSION :	DWN	O. HU	27-JUN-2003		TYCO HOLDINGS (BERMUDA) VII LTD. TAIWAN BRANCH
0 PLC	CHK	A. WU	27-JUN-2003		
1 PLC	APVD	J. CHENG	27-JUN-2003	NAME	
2 PLC	PRODUCT SPEC			MINI USB RIGHT ANGLE, SMT, B TYPE	
3 PLC	APPLICATION SPEC			LOC	SIZE
ANGLES	WEIGHT			DW	A ₃
				SCALE	DRAWING NO
					C-440247
					REV
					D
					SHEET
					4 OF 4

SEE SHEET 1.				
LTR	REVISION RECORD	ECN	DWN_CHK	DATE