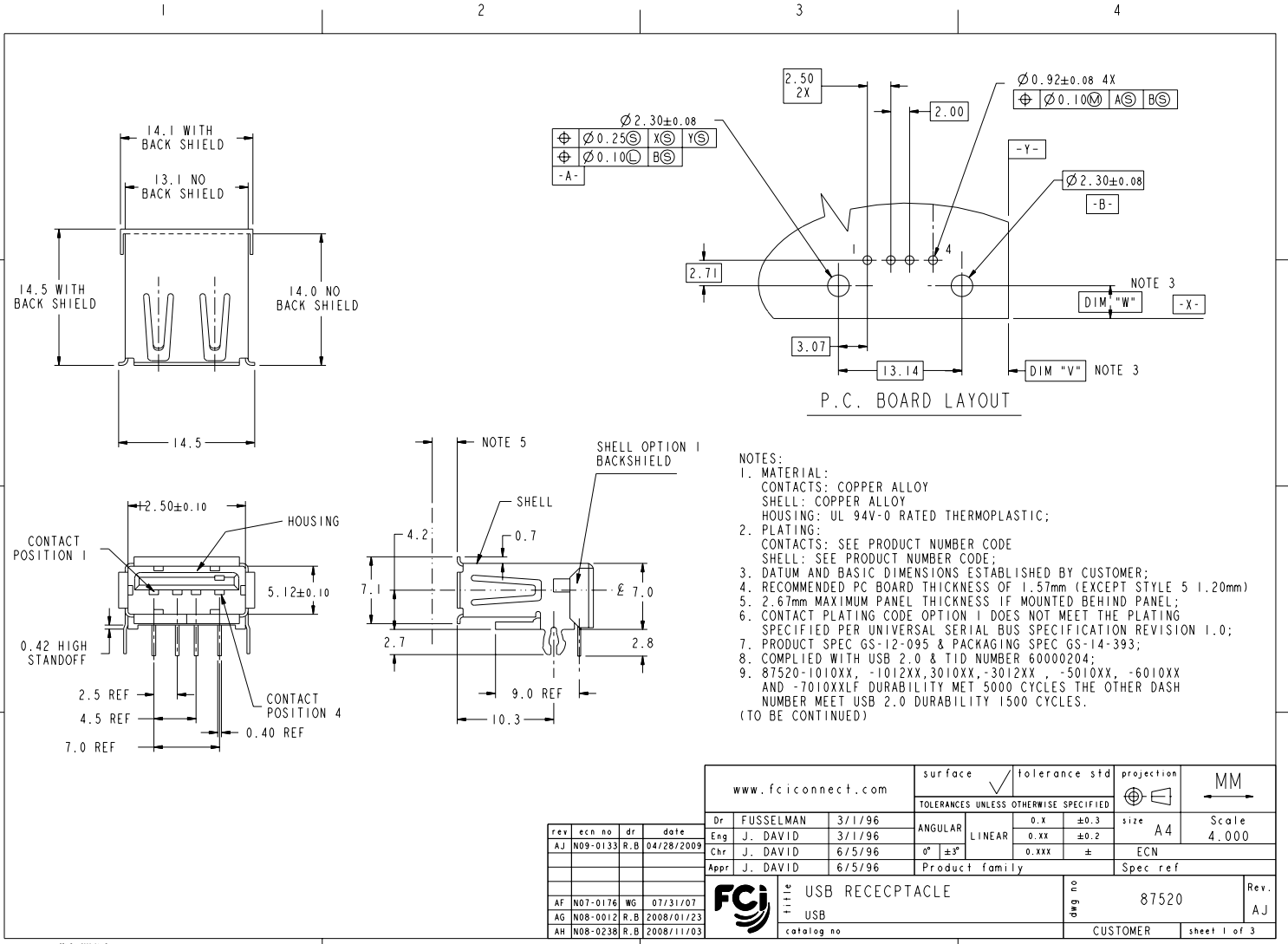




Copyright FCJ.



www.fciconnect.com		surface	tolerance std	projection	MM
		ANGULAR	0.x ±0.3	size	A4
		LINEAR	0.xx ±0.2	Scale	4.000
		0° ±3°	0.xxx ±	ECN	
Product family		Spec ref			

Dr	FUSSELMAN	3/1/96
Eng	J. DAVID	3/1/96
Chr	J. DAVID	6/5/96
Appr	J. DAVID	6/5/96

rev	ecn no	dr	date
AJ	N09-0133	R.B	04/28/2009
AF	N07-0176	WG	07/31/07
AG	N08-0012	R.B	2008/01/23
AH	N08-0238	R.B	2008/11/03

FCJ	USB RECEPTACLE	87520	Rev. AJ
catalog no	CUSTOMER	sheet 1 of 3	

PRODUCT NUMBER CODE

87520- X X X X X P X LF

BASE PRODUCT NUMBER

HOUSING COLOR AND SHELL PLATING OPTIONS

- 0 - WHITE+SHELL TIN & NICKEL PLATING
- 1 - BLACK+SHELL TIN & NICKEL PLATING
- 2 - WHITE+SHELL NICKEL PLATING ONLY
- 3 - BLACK+SHELL NICKEL PLATING ONLY
- 4 - WHITE FR50 + SHELL TIN & NICKEL PLATING FOR NON LEAD FREE P/N'S
CHANGE WHITE FR50 TO WHITE PA46 FOR LEAD FREE P/N'S
- 5 - BLACK NYLON 66 + SHELL TIN & NICKEL PLATING FOR NON LEAD FREE P/N'S
CHANGE BLACK NYLON 66 TO BLACK PA46 FOR LEAD FREE P/N'S
- 6 - WHITE FR50+SHELL TIN & NICKEL PLATING FOR NON LEAD FREE P/N'S
CHANGE WHITE FR50 TO WHITE PA46 FOR LEAD FREE P/N'S
- 7 - WHITE PA46+SHELL TIN & NICKEL PLATING

SHELL TYPE OPTION

- 0 - NO BACK SHIELD, SEE STYLE 1 FOR DURABILITY 1500 CYCLES
SEE STYLE 4 FOR DURABILITY 5000 CYCLES
- 1 - BACK SHIELD, SEE STYLE 2
- 2 - PARTIAL BACK SHIELD, SEE STYLE 3
- 5 - NO BACK SHIELD, SEE STYLE 4 WITH HIGH PERFORMANCE MATERIAL
FOR DURABILITY 12,000 CYCLES, NI PLATING ONLY

MOUNTING HOLE OPTIONS

- 1 - NONE

TERMINAL PLATING OPTION

- 0 - 1.25um Ni UNDERPLATE
0.76um GXT CONTACT AREA
2.50um TIN/LEAD TAIL AREA FOR P/N'S
- 2 - 1.25um Ni UNDERPLATE
0.76um /30u" GOLD CONTACT AREA
2.50um TIN/LEAD TAIL AREA FOR P/N'S

PACKAGING OPTIONS

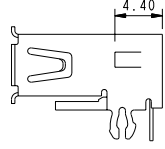
- A - TAPE AND REEL
- B - TUBES

DATE CODE

SPECIAL OPTION:
S: PANASONIC ONLY
B: FOR 1.20mm THICKNESS PCB

LEAD FREE OPTION

P/N'S WITH SUFFIX "LF" MEAN LEAD FREE PRODUCT
FOR LEAD FREE P/N, CHANGE ALL ORIGINAL TIN/LEAD PLATING TO PURE TIN PLATING

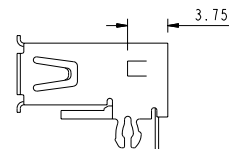


STYLE 4 WITHOUT BACK SHELL

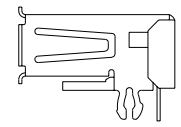
- FOR 87520-1010XXLF
-1012XXLF
-3010XXLF
-3012XXLF
-5012XXLF
-6010XXLF
-7010XXSLF
-3S10XPLF
-3S12XPBLF

AVAILABLE PART NUMBER LIST

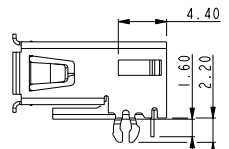
- 87520-0010XXLF
- 87520-0012XXLF
- 87520-0210XXLF
- 87520-1010XXLF
- 87520-1012XXLF
- 87520-0110XXLF
- 87520-0112XXLF
- 87520-1110XXLF
- 87520-1112XXLF
- 87520-2010XXLF
- 87520-2012XXLF
- 87520-2110XXLF
- 87520-2112XXLF
- 87520-2210XXLF
- 87520-3010XXLF
- 87520-3012XXLF
- 87520-3110XXLF
- 87520-3112XXLF
- 87520-4010XXLF
- 87520-4110XXLF
- 87520-5010XXLF/5010XXSLF
- 87520-5110XXLF
- 87520-6010XXLF
- 87520-7010XXSLF
- 87520-3010APBLF
- 87520-3S10XPLF
- 87520-3S12XPBLF
- 87520-3S10XPLF
- 87520-3S12XPBLF



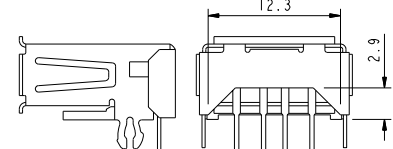
STYLE 1 WITHOUT BACK SHELL



STYLE 2 WITH BACK SHELL



STYLE 5 WITHOUT BACK SHELL
FOR 1.20mm THICKNESS PCB
87520-3X10APBLF



STYLE 3 WITH PARTIAL BACK SHELL

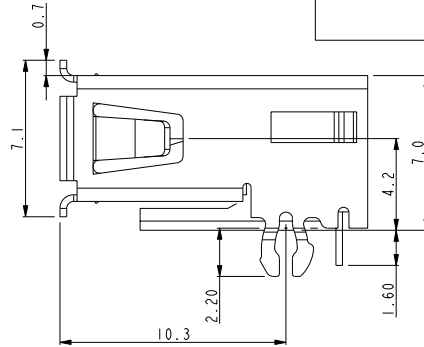
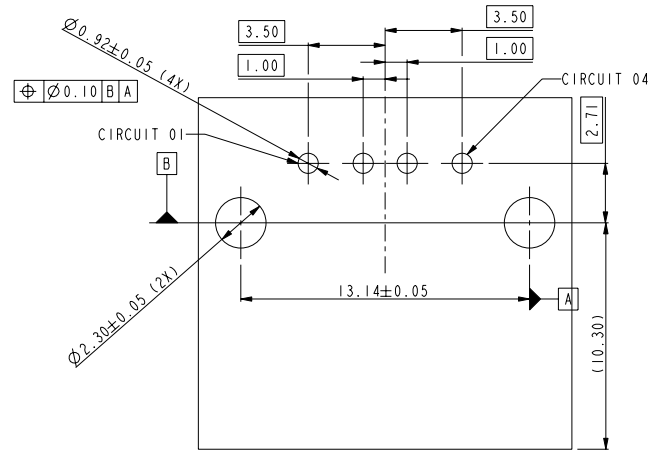
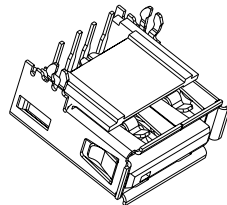
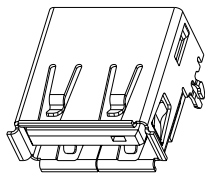
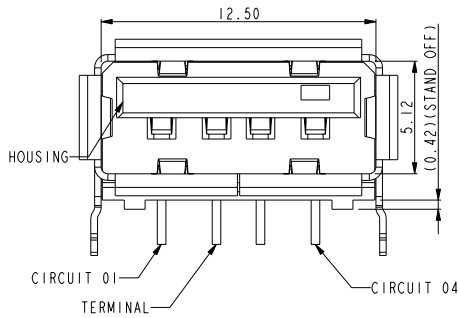
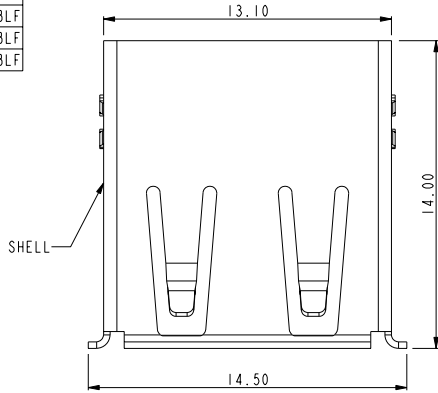
- (CONTINUED)
- 10. PACKING STANDARD GS-14-920 WILL BE APPLIED FOR LEAD FREE P/N'S;
 - 11. FOR LEAD FREE P/N, THE PRODUCT MEET EUROPEAN UNION DIRECTIVES AND OTHER COUNTRY REGULATION AS DESCRIBED IN GS-22-008;
 - 12. THE HOUSING WILL WITHSTAND EXPOSURE TO 260°C PEAK TEMPERATURE FOR 40 SECONDS IN A CONVECTION, INFRO-RED OR VAPOR PHASE REFLOW OVEN;
 - 13. 87520-1010XXLF/-3010XXLF/-5010XXLF CAN WITHSTAND 2Amps CURRENT EITHER PARALLEL OR SERIALS (TESTING PLUG WITH 20 AWG WIRE);
 - 14. THE PRODUCT CAN BE USED FOR PIP PROCESS.

www.fciconnect.com		surface	tolerance std	projection	MM
		ANGULAR	LINEAR	0.x ±0.3	size A4 Scale 4.000
Dr	FUSSELMAN	3/1/96	0.xx ±0.2	0.xxx ±	ECN
Eng	J. DAVID	3/1/96	Product family		
Chr	J. DAVID	6/5/96	Spec ref		
Appr	J. DAVID	6/5/96	Product family		
FCj		USB RECEPTACLE		eng no	87520
		USB		Rev.	AJ
		catalog no		CUSTOMER	sheet 2 of 3



Copyright FCj.

PART NUMBER
87520-3010APBLF
87520-3S10XPBLF
87520-3S12XPBLF



RECOMMENDED PCB LAYOUT
COMPONENT SIDE

www.fciconnect.com		surface	tolerance std	projection	MM
TOLERANCES UNLESS OTHERWISE SPECIFIED		ANGULAR	LINEAR	size	Scale
Dr	FUSSELMAN	3/1/96	0.x	±0.3	A4
Eng	J. DAVID	3/1/96	0.xx	±0.2	4.000
Chr	J. DAVID	6/5/96	0.xxx	±	ECN
Appr	J. DAVID	6/5/96	Product family		Spec ref
FCJ		TITLE		87520	Rev.
USB		catalog no		CUSTOMER	sheet 3 of 3

PDM: Rev:AJ

STATUS Released 4 Printed: Jul 28, 2010

REV 1 - 2004-04-07



Copyright FCI.