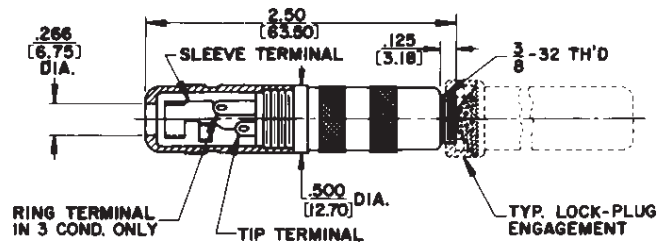


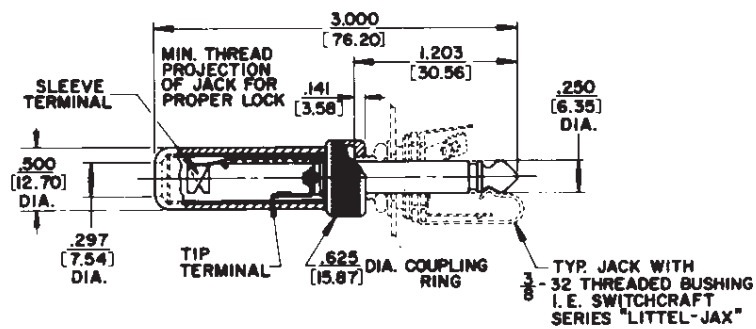
SWITCHCRAFT, INC. 5555 N. Elston Ave.
Chicago, IL 60630 • 773 792-2700 • FAX: 773 792-2129
www.switchcraft.com

1/4" LOCK-EXTENSION JACKS AND PLUGS

133



282



DIMENSIONS ARE FOR REFERENCE ONLY

Inch
(mm)