

Wire to Board Connectors

Connector System for Universal Serial Bus (USB)

Receptacle Assemblies/Series A, 4-Position, Right-Angle Receptacle

Stacked, Thru-Hole

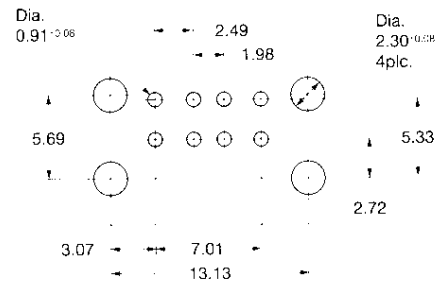
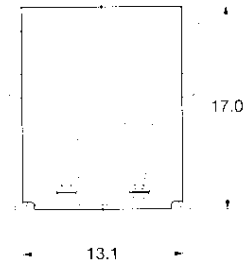
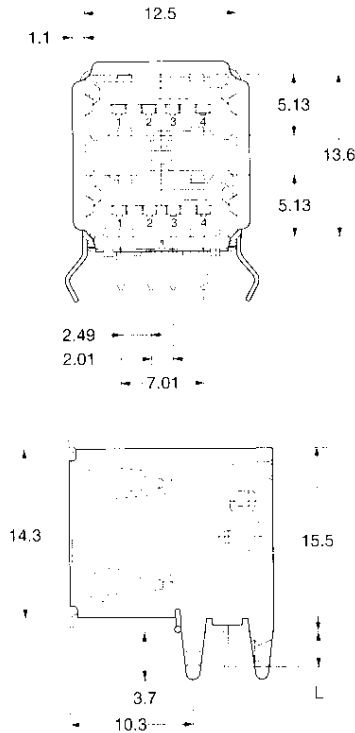
Part Number : 787617-1 (black)
787617-3 (natural)
(Solder tail length : 2.84)

Material and Finish :

Housing—Thermoplastic, UL 94V-0 rated
Shell—Copper Alloy, plated bright tin
Contacts—Copper Alloy, plated 0.076µm min. gold over 0.76µm min. palladium-nickel on the mating end, 3.8µm min. tin lead on solder tails all over 1.27µm min. nickel underplating or 0.076µm min. gold on the mating end, 3.8µm min. tin lead on solder tails all over 1.27µm min. nickel underplating.

Product Specifications :
108-1586

Recommended pc board thickness : 1.57



PC Board Layout