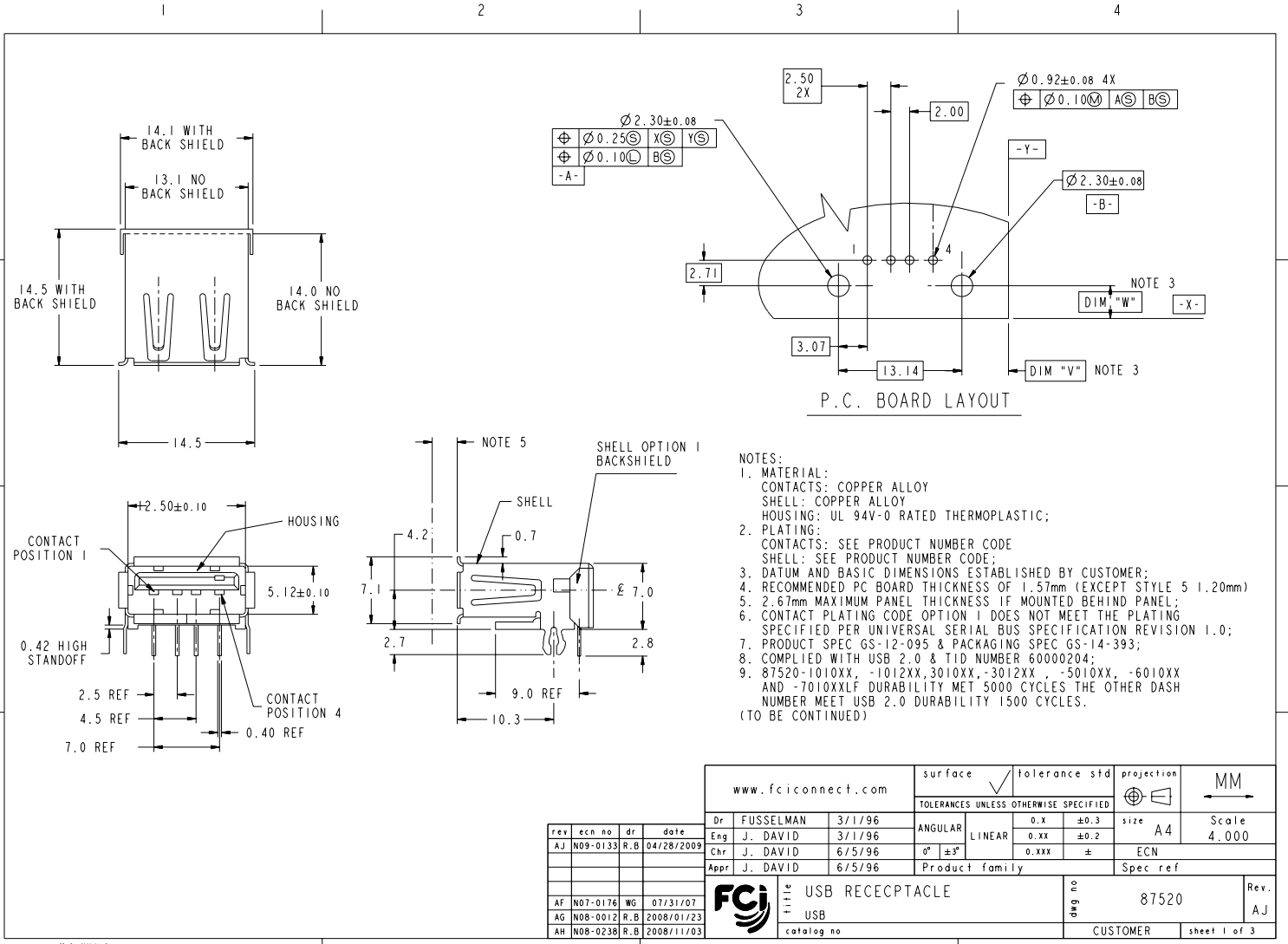




Copyright FCJ.



- NOTES:
- MATERIAL:
CONTACTS: COPPER ALLOY
SHELL: COPPER ALLOY
HOUSING: UL 94V-0 RATED THERMOPLASTIC;
 - PLATING:
CONTACTS: SEE PRODUCT NUMBER CODE
SHELL: SEE PRODUCT NUMBER CODE;
 - DATUM AND BASIC DIMENSIONS ESTABLISHED BY CUSTOMER;
 - RECOMMENDED PC BOARD THICKNESS OF 1.57mm (EXCEPT STYLE 5 1.20mm)
 - 2.67mm MAXIMUM PANEL THICKNESS IF MOUNTED BEHIND PANEL;
 - CONTACT PLATING CODE OPTION 1 DOES NOT MEET THE PLATING SPECIFIED PER UNIVERSAL SERIAL BUS SPECIFICATION REVISION 1.0;
 - PRODUCT SPEC GS-12-095 & PACKAGING SPEC GS-14-393;
 - COMPLIED WITH USB 2.0 & TID NUMBER 60000204;
 - 87520-1010XX, -1012XX, 3010XX, -3012XX, -5010XX, -6010XX AND -7010XXLF DURABILITY MET 5000 CYCLES THE OTHER DASH NUMBER MEET USB 2.0 DURABILITY 1500 CYCLES.
(TO BE CONTINUED)

| | | | | | | | |
|--------------------|-----------|--------|------------|----------------|---------------|------------|--------------|
| www.fciconnect.com | | | | surface | tolerance std | projection | MM |
| | | | | ANGULAR | 0.x ±0.3 | size | Scale |
| | | | | LINEAR | 0.xx ±0.2 | A4 | 4.000 |
| | | | | 0° ±3° | 0.xxx ± | ECN | |
| | | | | Product family | | Spec ref | |
| Dr | FUSSELMAN | 3/1/96 | | | | | |
| Eng | J. DAVID | 3/1/96 | | | | | |
| Chr | J. DAVID | 6/5/96 | | | | | |
| Appr | J. DAVID | 6/5/96 | | | | | |
| rev | ecn no | dr | date | | | | |
| AJ | N09-0133 | R.B | 04/28/2009 | | | | |
| AF | N07-0176 | WG | 07/31/07 | | | | |
| AG | N08-0012 | R.B | 2008/01/23 | | | | |
| AR | N08-0238 | R.B | 2008/11/03 | | | | |
| FCJ | | | | USB RECEPTACLE | | 87520 | Rev. AJ |
| | | | | catalog no | | CUSTOMER | sheet 1 of 3 |

PRODUCT NUMBER CODE

87520- X X X X X P X LF

BASE PRODUCT NUMBER

HOUSING COLOR AND SHELL PLATING OPTIONS

- 0 - WHITE+SHELL TIN & NICKEL PLATING
- 1 - BLACK+SHELL TIN & NICKEL PLATING
- 2 - WHITE+SHELL NICKEL PLATING ONLY
- 3 - BLACK+SHELL NICKEL PLATING ONLY
- 4 - WHITE FR50 + SHELL TIN & NICKEL PLATING FOR NON LEAD FREE P/N'S
CHANGE WHITE FR50 TO WHITE PA46 FOR LEAD FREE P/N'S
- 5 - BLACK NYLON 66 + SHELL TIN & NICKEL PLATING FOR NON LEAD FREE P/N'S
CHANGE BLACK NYLON 66 TO BLACK PA46 FOR LEAD FREE P/N'S
- 6 - WHITE FR50+SHELL TIN & NICKEL PLATING FOR NON LEAD FREE P/N'S
CHANGE WHITE FR50 TO WHITE PA46 FOR LEAD FREE P/N'S
- 7 - WHITE PA46+SHELL TIN & NICKEL PLATING

SHELL TYPE OPTION

- 0 - NO BACK SHIELD, SEE STYLE 1 FOR DURABILITY 1500 CYCLES
SEE STYLE 4 FOR DURABILITY 5000 CYCLES
- 1 - BACK SHIELD, SEE STYLE 2
- 2 - PARTIAL BACK SHIELD, SEE STYLE 3
- 5 - NO BACK SHIELD, SEE STYLE 4 WITH HIGH PERFORMANCE MATERIAL
FOR DURABILITY 12,000 CYCLES, NI PLATING ONLY

MOUNTING HOLE OPTIONS

- 1 - NONE

TERMINAL PLATING OPTION

- 0 - 1.25um Ni UNDERPLATE
0.76um GXT CONTACT AREA
2.50um TIN/LEAD TAIL AREA FOR P/N'S
- 2 - 1.25um Ni UNDERPLATE
0.76um /30u" GOLD CONTACT AREA
2.50um TIN/LEAD TAIL AREA FOR P/N'S

PACKAGING OPTIONS

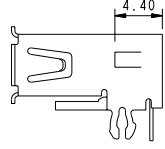
- A - TAPE AND REEL
- B - TUBES

DATE CODE

- SPECIAL OPTION:
- S: PANASONIC ONLY
- B: FOR 1.20mm THICKNESS PCB

LEAD FREE OPTION

P/N'S WITH SUFFIX "LF" MEAN LEAD FREE PRODUCT
FOR LEAD FREE P/N, CHANGE ALL ORIGINAL TIN/LEAD PLATING TO PURE TIN PLATING

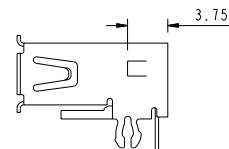


STYLE 4 WITHOUT BACK SHELL

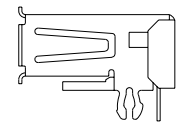
- FOR 87520-1010XXLF
-1012XXLF
-3010XXLF
-3012XXLF
-5012XXLF
-6010XXLF
-7010XXSLF
-3S10XPLF
-3S12XPBLF

AVAILABLE PART NUMBER LIST

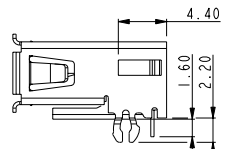
- 87520-0010XXLF
- 87520-0012XXLF
- 87520-0210XXLF
- 87520-1010XXLF
- 87520-1012XXLF
- 87520-0110XXLF
- 87520-0112XXLF
- 87520-1110XXLF
- 87520-1112XXLF
- 87520-2010XXLF
- 87520-2012XXLF
- 87520-2110XXLF
- 87520-2112XXLF
- 87520-2210XXLF
- 87520-3010XXLF
- 87520-3012XXLF
- 87520-3110XXLF
- 87520-3112XXLF
- 87520-4010XXLF
- 87520-4110XXLF
- 87520-5010XXLF/5010XXSLF
- 87520-5110XXLF
- 87520-6010XXLF
- 87520-7010XXSLF
- 87520-3010APBLF
- 87520-3S10XPLF
- 87520-3S12XPBLF
- 87520-3S10XPLF
- 87520-3S12XPBLF



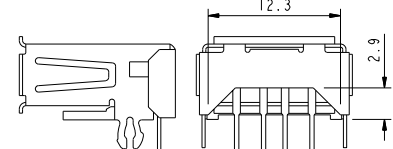
STYLE 1 WITHOUT BACK SHELL



STYLE 2 WITH BACK SHELL



STYLE 5 WITHOUT BACK SHELL
FOR 1.20mm THICKNESS PCB
87520-3X10APBLF



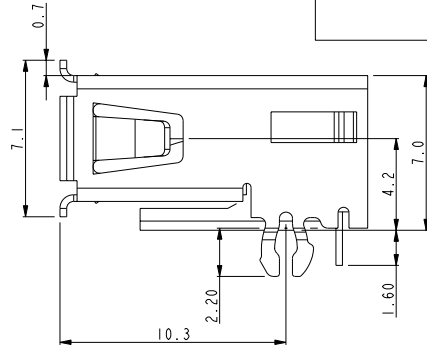
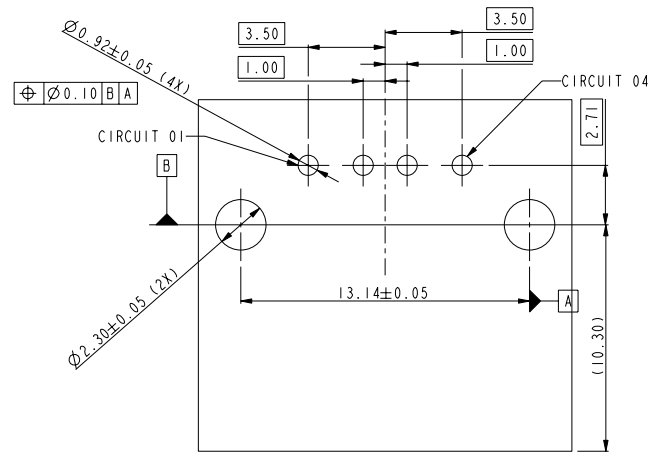
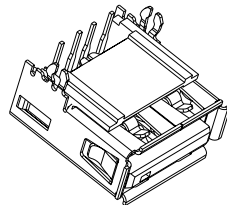
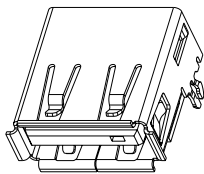
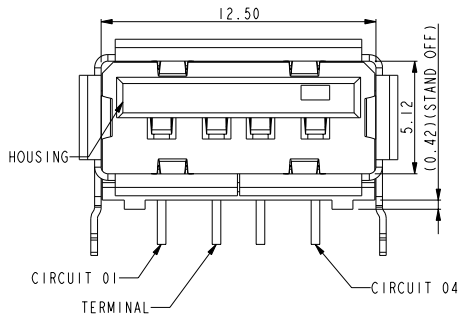
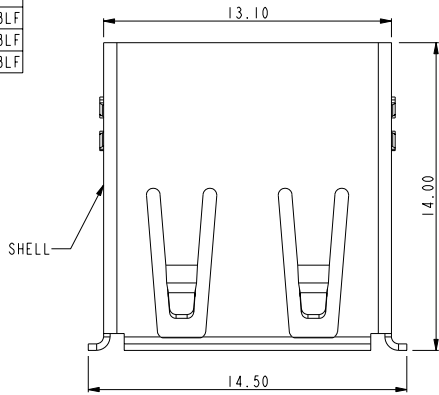
STYLE 3 WITH PARTIAL BACK SHELL

- (CONTINUED)
- 10. PACKING STANDARD GS-14-920 WILL BE APPLIED FOR LEAD FREE P/N'S;
 - 11. FOR LEAD FREE P/N, THE PRODUCT MEET EUROPEAN UNION DIRECTIVES AND OTHER COUNTRY REGULATION AS DESCRIBED IN GS-22-008;
 - 12. THE HOUSING WILL WITHSTAND EXPOSURE TO 260°C PEAK TEMPERATURE FOR 40 SECONDS IN A CONVECTION, INFRO-RED OR VAPOR PHASE REFLOW OVEN;
 - 13. 87520-1010XXLF/-3010XXLF/-5010XXLF CAN WITHSTAND 2Amps CURRENT EITHER PARALLEL OR SERIALS (TESTING PLUG WITH 20 AWG WIRE);
 - 14. THE PRODUCT CAN BE USED FOR PIP PROCESS.

| | | | | | | | |
|----------------------|----------------|---------|-----------|----------------|------------|--------------|-------|
| www.fciconnect.com | | surface | tolerance | std | projection | MM | |
| | | ANGULAR | LINEAR | 0.X | ±0.3 | size | Scale |
| Dr FUSSELMAN 3/1/96 | | | | 0.XX | ±0.2 | A4 | 4.000 |
| Eng J. DAVID 3/1/96 | | | | 0.XXX | ± | ECN | |
| Chr J. DAVID 6/5/96 | | | | Product family | | Spec ref | |
| Appr J. DAVID 6/5/96 | | | | | | | |
| FCI | USB RECEPTACLE | | catlog no | 87520 | CUSTOMER | sheet 2 of 3 | Rev. |
| | USB | | | | | | AJ |

REV. 1 - 2004 04-17

| PART NUMBER |
|-----------------|
| 87520-3010APBLF |
| 87520-3S10XPBLF |
| 87520-3S12XPBLF |



RECOMMENDED PCB LAYOUT
COMPONENT SIDE

| | | | | | |
|---------------------------------------|-----------|---|----------------|------------|---------------------|
| www.fciconnect.com | | surface <input checked="" type="checkbox"/> | tolerance std | projection | MM |
| TOLERANCES UNLESS OTHERWISE SPECIFIED | | | | | |
| Dr | FUSSELMAN | 3/1/96 | ANGULAR | LINEAR | size A4 Scale 4.000 |
| Eng | J. DAVID | 3/1/96 | 0° | ±3° | ECN |
| Chr | J. DAVID | 6/5/96 | 0.xxx | ± | Spec ref |
| Appr | J. DAVID | 6/5/96 | Product family | | Spec ref |
| | | TITLE USB RECEPTACLE | | dwg no | 87520 |
| catalog no | | CUSTOMER | | Rev. | AJ |
| | | sheet 3 of 3 | | | |

PDM: Rev:AJ

STATUS Released 4 Printed: Jul 28, 2010

REV 1 - 2004-04-07

FCJ

Copyright FCI.