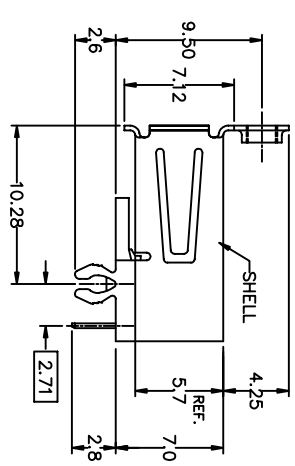
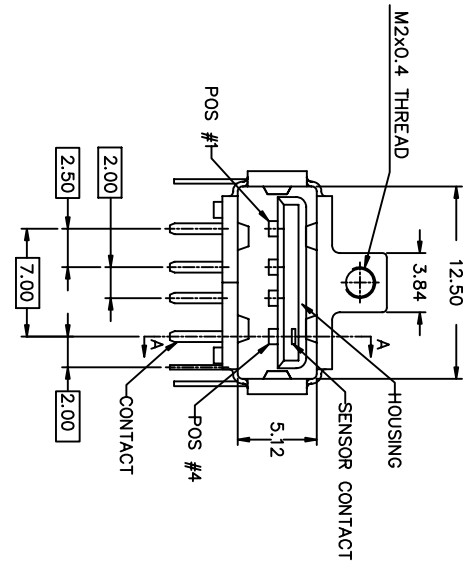
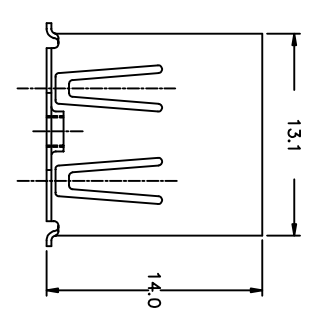
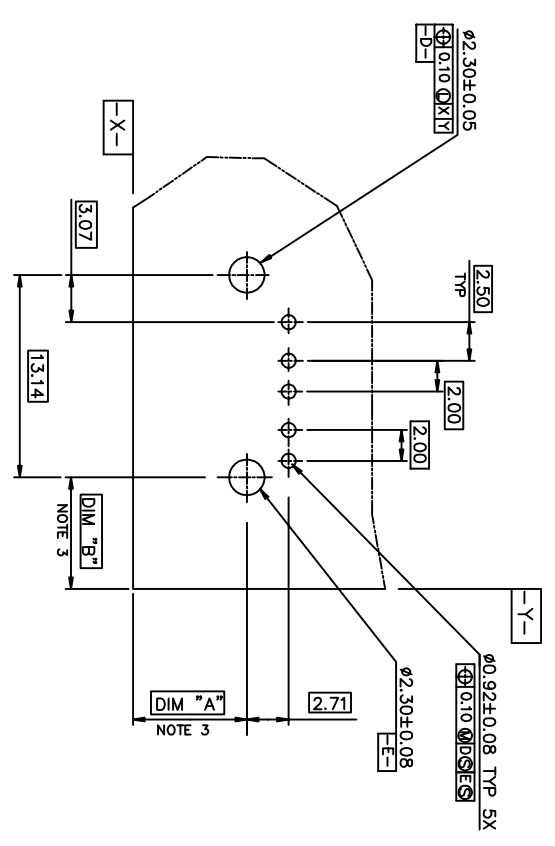


PRODUCT NO.
SEE SHEET 3



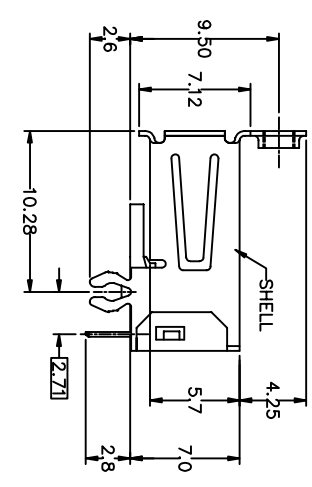
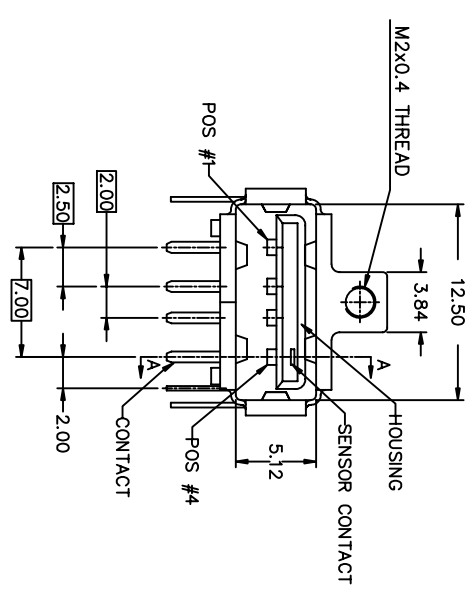
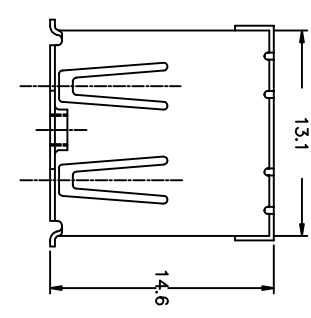
ASSEMBLY WITHOUT BACK SHIELD



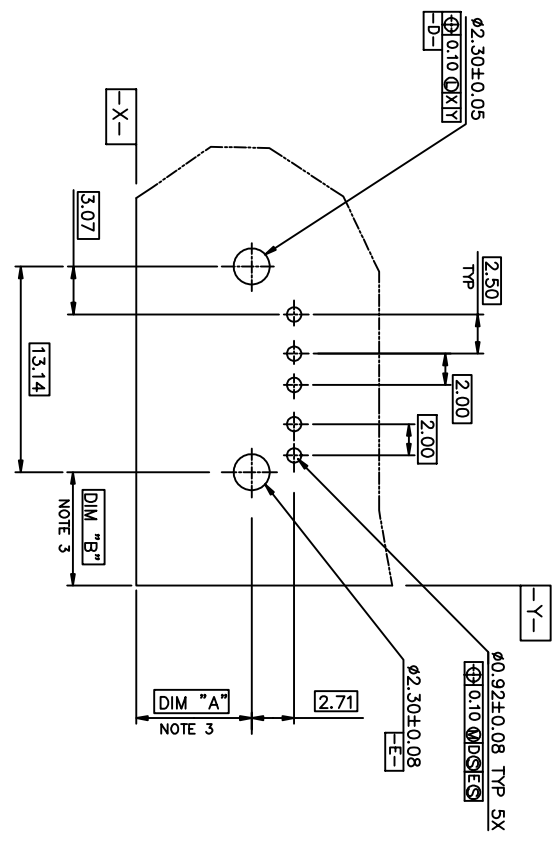
P.C. BOARD LAYOUT

rev.	ecrn no.	dr.	date	tolerance unless otherwise specified	CUSTOMER COPY	title	www.fciconnect.com
A	T70233	P P	6/18/97	.0 ± 0.30		UNIVERSAL BUS RECEPTACLE-CATALOG	
B	T70333	C L	08/11/97	.000± 0.10		RECEPTACLE-USB	
C	T04-0208	W L	05/13/04	± .3		Product family USB	
D	N04-0123	PH	12/13/04			size	dwg no.
E	N06-0101	HB	04/13/08			scale	61819
sheet revision				E	B	E	sheet
index sheet				1	2	3	1 OF 3

PRODUCT NO.
 SEE SHEET 3



ASSEMBLY WITH BACK SHIELD



P.C. BOARD LAYOUT

mat'l code	tolerance unless otherwise specified	CUSTOMER COPY	projection	title
rev. ecn no. dr. date	0 ± 0.30	COPY	AS	UNIV. SERIAL BUS S.M.T. RECEP-TACLE-CATALOG
B	.00 ± 0.20			
	.000 ± 0.10			
	± .3°			
dir	SHIRLEY HSD/01/10/97			
engr	R Y LIU 01/10/97			
chr	R Y LIU 01/10/97			
pppd	JENN TSAO/01/10/97			
scale	2.5:1			
sheet revision				
index sheet				

1 2 3 4 5 6

PRODUCT NUMBER CODE

61819 - X X X X X S LF

BASE PRODUCT NUMBER

HOUSING COLOR OPTIONS

- 0 - WHITE
- 1 - BLACK

PIN NO. OPTION

- 0 - 5 PIN
- 1 - 4 PIN

SHELL OPTIONS

- 1 - WITHOUT BACK SHIELD
- 2 - WITH BACK SHIELD

TERMINAL PLATING OPTION

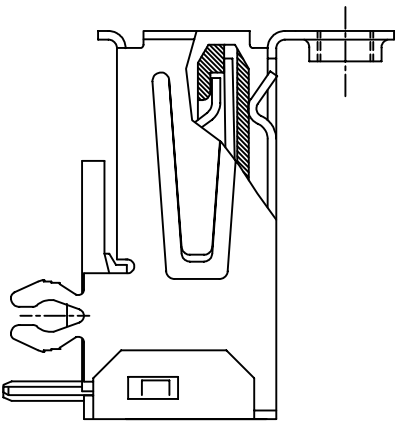
- 0 - 50u" NI UNDERPLATE
- 30u" GXT CONTACT AREA
- 100u" TIN/LEAD TAIL AREA
- 1 - 50u" NI UNDERPLATE
- 30u" GXT CONTACT AREA
- 100u" TIN TAIL AREA

PACKAGING OPTION

- B - TUBES

ONLY FOR PANASONIC

LEAD FREE OPTION
WHEN "TERMINAL PLATING OPTION" IS 1



SECTION A-A

NOTES:

1. MATERIAL: PHOSPHOR BRONZE
CONTACTS: PHOSPHOR BRONZE
SHIELD: PHOSPHOR BRONZE
HOUSING: UL 94V-0 THERMOPLASTIC, COLOR: WHITE
2. PLATING: CONTACTS: GOLD FLASH OVER
PALLADIUM NICKEL (0.76um MINIMUM) IN CONTACT AREA; 2.54 um TIN-LEAD OR TIN MINIMUM IN SOLDER TAIL AREA. 1.27 um MINIMUM NICKEL UNDERPLATE OVER ALL SURFACES. SHIELD: 2.54 um MINIMUM TIN/LEAD OR TIN OVER 1.27 um MINIMUM NICKEL UNDERPLATE
3. DATUMS & BASIC DIMENSIONS TO BE DETERMINED BY CUSTOMER.
4. RECOMMENDED BOARD THICKNESS IS 0.8~1.2 mm.
5. MAXIMUM PANEL THICKNESS TO BE 2.67 mm IF MOUNTED BEHIND PANEL.
6. PACKING STANDARD GS-14-920 WILL BE APPLIED FOR LEAD FREE P/N'S
7. FOR LEAD FREE P/N, THE PRODUCT MEET EUROPEAN UNION DIRECTIVES AND OTHER COUNTRY REGULATION AS DESCRIBED IN GS-22-008
8. FOR LEAD FREE P/N'S, THE HOUSING WILL WITHSTAND EXPOSURE TO 260°C PEAK TEMPERATURE FOR 40 SECONDS IN A CONVECTION, INFRO-RED OR VAPOR PHASE REFLOW OVEN.

mat'l code	tolerance unless otherwise specified	CUSTOMER COPY	title	code
rev. econ no. dr.	date			
E	linear 0 ± 0.30 .00 ± 0.20 ± 0.10	projection 0 ± 3'	UNIVERSAL BUS RECEPTACLE	sheet 3 OF
angles	± 3'			
dir	ShIPLEY HSU 01/10/97	unit	product family	
engr	R Y LUU 01/10/97	mm/inch	size	
chr	R Y LUU 01/10/97	scale	dwg no.	61819
appd	JENN TSAO 01/10/97			
sheet revision				
index	sheet			