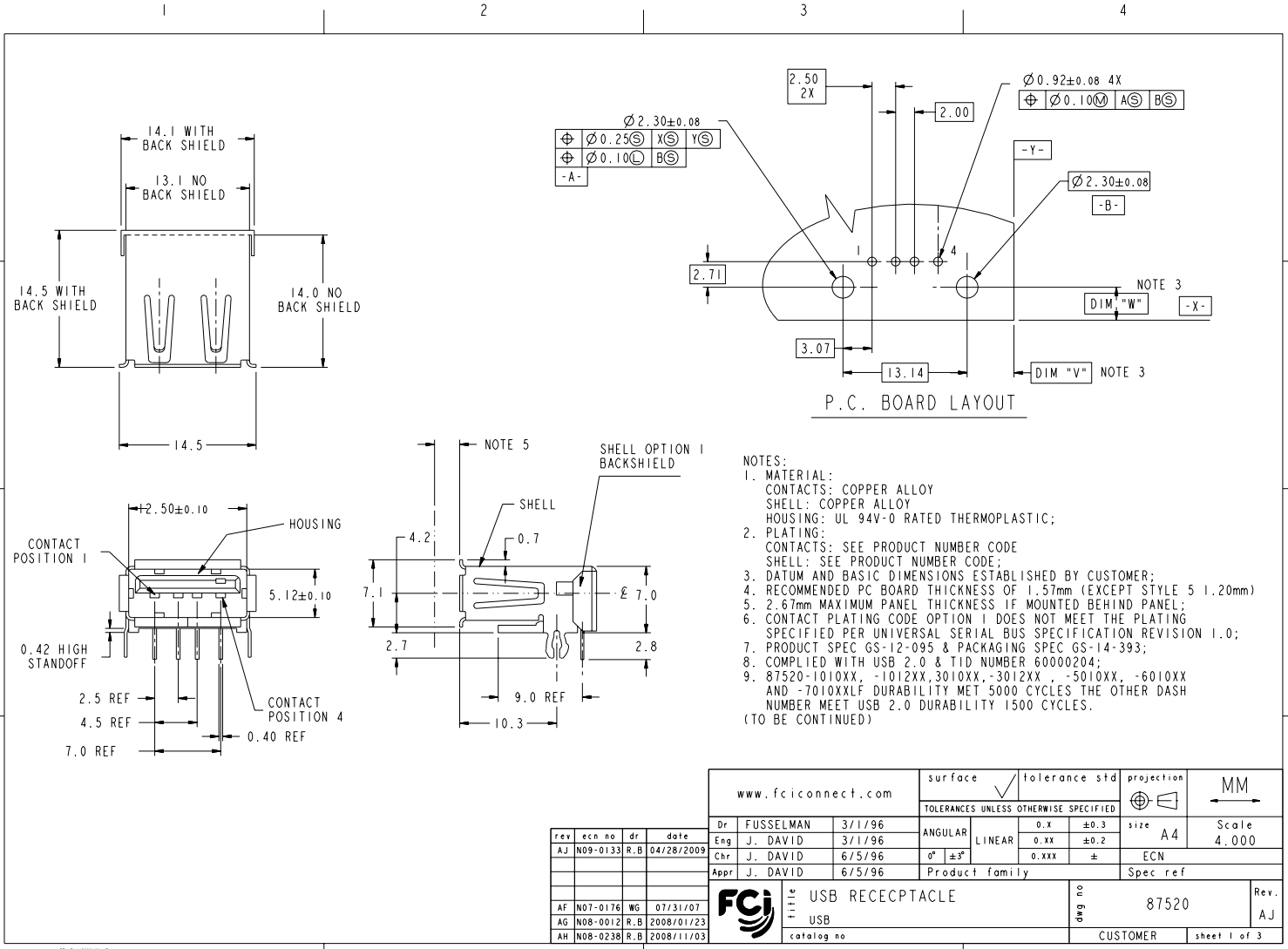




Copyright FCJ.



rev	ecn no	dr	date
AJ	N09-0133	R.B	04/28/2009
AF	N07-0176	WG	07/31/07
AG	N08-0012	R.B	2008/01/23
AH	N08-0238	R.B	2008/11/03

www.fciconnect.com		surface	tolerance std	projection	MM
Dr FUSSELMAN 3/1/96		ANGULAR	0.x ±0.3	size A4	Scale 4.000
Eng J. DAVID 3/1/96		LINEAR	0.xx ±0.2	ECN	
Chr J. DAVID 6/5/96		0° ±3°	0.xxx ±	Spec ref	
Appr J. DAVID 6/5/96		Product family			
FCJ		USB RECEPTACLE		eng no 87520	Rev. AJ
catalog no		CUSTOMER		sheet 1 of 3	

PRODUCT NUMBER CODE

87520- X X X X X P X LF

BASE PRODUCT NUMBER

HOUSING COLOR AND SHELL PLATING OPTIONS
 0 - WHITE+SHELL TIN & NICKEL PLATING
 1 - BLACK+SHELL TIN & NICKEL PLATING
 2 - WHITE+SHELL NICKEL PLATING ONLY
 3 - BLACK+SHELL NICKEL PLATING ONLY
 4 - WHITE FR50 + SHELL TIN & NICKEL PLATING FOR NON LEAD FREE P/N'S
 CHANGE WHITE FR50 TO WHITE PA46 FOR LEAD FREE P/N'S
 5 - BLACK NYLON 66 + SHELL TIN & NICKEL PLATING FOR NON LEAD FREE P/N'S
 CHANGE BLACK NYLON 66 TO BLACK PA46 FOR LEAD FREE P/N'S
 6 - WHITE FR50+SHELL TIN & NICKEL PLATING FOR NON LEAD FREE P/N'S
 CHANGE WHITE FR50 TO WHITE PA46 FOR LEAD FREE P/N'S
 7 - WHITE PA46+SHELL TIN & NICKEL PLATING

SHELL TYPE OPTION
 0 - NO BACK SHIELD, SEE STYLE 1 FOR DURABILITY 1500 CYCLES
 SEE STYLE 4 FOR DURABILITY 5000 CYCLES
 1 - BACK SHIELD, SEE STYLE 2
 2 - PARTIAL BACK SHIELD, SEE STYLE 3
 3 - NO BACK SHIELD, SEE STYLE 4 WITH HIGH PERFORMANCE MATERIAL
 FOR DURABILITY 12,000 CYCLES, NI PLATING ONLY

MOUNTING HOLE OPTIONS
 1 - NONE

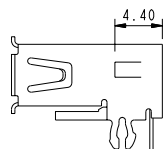
TERMINAL PLATING OPTION
 0 - 1.25um Ni UNDERPLATE
 0.76um GXT CONTACT AREA
 2.50um TIN/LEAD TAIL AREA FOR P/N'S
 2 - 1.25um Ni UNDERPLATE
 0.76um /30u" GOLD CONTACT AREA
 2.50um TIN/LEAD TAIL AREA FOR P/N'S

PACKAGING OPTIONS
 A - TAPE AND REEL
 B - TUBES

DATE CODE

SPECIAL OPTION:
 S: PANASONIC ONLY
 B: FOR 1.20mm THICKNESS PCB

LEAD FREE OPTION
 P/N'S WITH SUFFIX "LF" MEAN LEAD FREE PRODUCT
 FOR LEAD FREE P/N, CHANGE ALL ORIGINAL TIN/LEAD PLATING TO PURE TIN PLATING

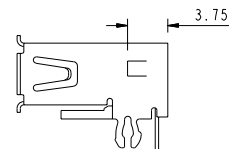


STYLE 4 WITHOUT BACK SHELL

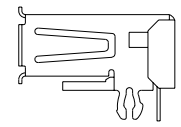
- FOR 87520-1010XXLF
 -1012XXLF
 -3010XXLF
 -3012XXLF
 -5012XXLF
 -6010XXLF
 -7010XXLF
 -3S10XPLF
 -3S12XPBLF

AVAILABLE PART NUMBER LIST

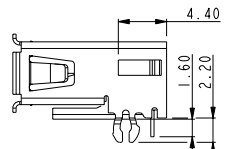
- 87520-0010XXLF
- 87520-0012XXLF
- 87520-0210XXLF
- 87520-1010XXLF
- 87520-1012XXLF
- 87520-0110XXLF
- 87520-0112XXLF
- 87520-1110XXLF
- 87520-1112XXLF
- 87520-2010XXLF
- 87520-2012XXLF
- 87520-2110XXLF
- 87520-2112XXLF
- 87520-2210XXLF
- 87520-3010XXLF
- 87520-3012XXLF
- 87520-3110XXLF
- 87520-3112XXLF
- 87520-4010XXLF
- 87520-4110XXLF
- 87520-5010XXLF/5010XXSLF
- 87520-5110XXLF
- 87520-6010XXLF
- 87520-7010XXSLF
- 87520-3010APBLF
- 87520-3S10XPLF
- 87520-3S12XPBLF
- 87520-3S12XPBLF



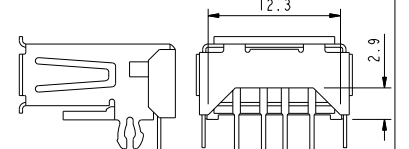
STYLE 1 WITHOUT BACK SHELL



STYLE 2 WITH BACK SHELL



STYLE 5 WITHOUT BACK SHELL
 FOR 1.20mm THICKNESS PCB
 87520-3X10APBLF



STYLE 3 WITH PARTIAL BACK SHELL

- (CONTINUED)
10. PACKING STANDARD GS-14-920 WILL BE APPLIED FOR LEAD FREE P/N'S;
 11. FOR LEAD FREE P/N, THE PRODUCT MEET EUROPEAN UNION DIRECTIVES AND OTHER COUNTRY REGULATION AS DESCRIBED IN GS-22-008;
 12. THE HOUSING WILL WITHSTAND EXPOSURE TO 260°C PEAK TEMPERATURE FOR 40 SECONDS IN A CONVECTION, INFRO-RED OR VAPOR PHASE REFLOW OVEN;
 13. 87520-1010XXLF/-3010XXLF/-5010XXLF CAN WITHSTAND 2Amps CURRENT EITHER PARALLEL OR SERIALS (TESTING PLUG WITH 20 AWG WIRE);
 14. THE PRODUCT CAN BE USED FOR PIP PROCESS.

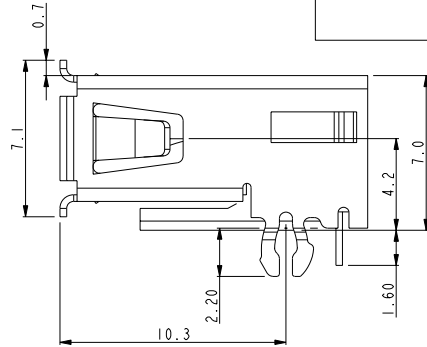
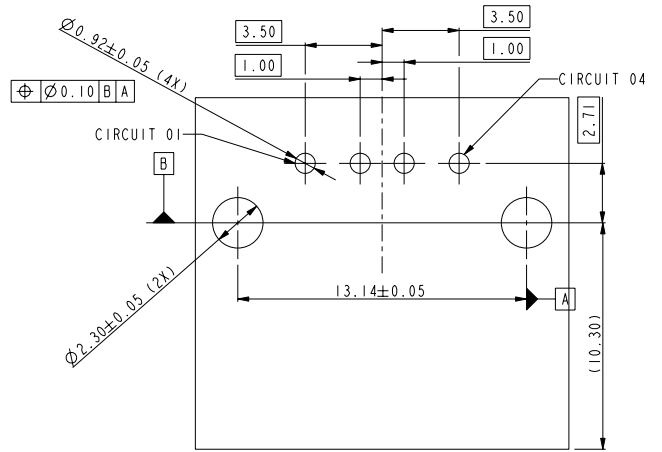
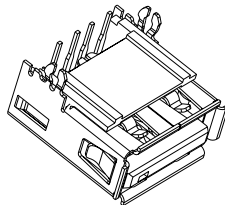
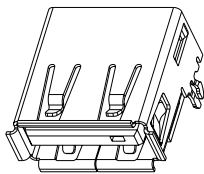
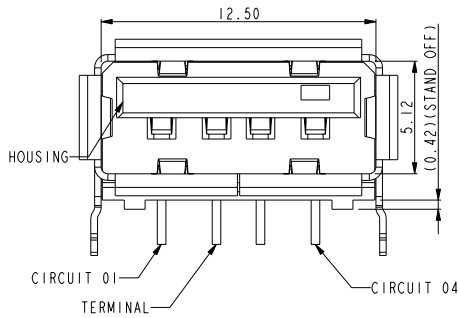
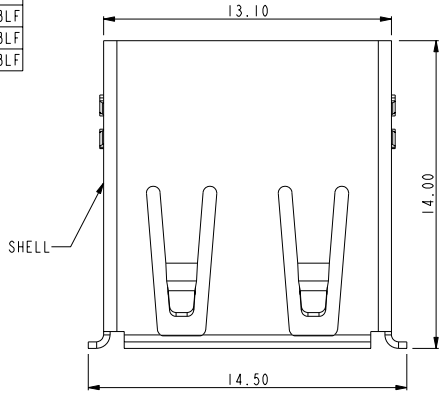
www.fciconnect.com		surface	tolerance std	projection	MM
		ANGULAR	LINEAR	0.x ±0.3	size A4 Scale 4.000
Dr	FUSSELMAN	3/1/96	0.xx ±0.2	0.xxx ±	ECN
Eng	J. DAVID	3/1/96	Product family		
Chr	J. DAVID	6/5/96	Spec ref		
Appr	J. DAVID	6/5/96	Product family		
FCj		USB RECEPTACLE		dwg no	87520
		USB		Rev.	AJ
		catalog no		CUSTOMER	sheet 2 of 3



Copyright FCj.

REV. 1 - 2004-04-07

PART NUMBER
87520-3010APBLF
87520-3S10XPBLF
87520-3S12XPBLF



RECOMMENDED PCB LAYOUT
COMPONENT SIDE

www.fciconnect.com		surface	tolerance std	projection	MM
		TOLERANCES UNLESS OTHERWISE SPECIFIED		← →	
Dr	FUSSELMAN	3/1/96	ANGULAR	0.x	±0.3
Eng	J. DAVID	3/1/96	LINEAR	0.xx	±0.2
Chr	J. DAVID	6/5/96	0° ±3°	0.xxx	±
Appr	J. DAVID	6/5/96	Product family	ECN	Spec ref
FCJ		TITLE		dwg no	Rev.
		USB RECEPTACLE		87520	AJ
		catalog no		CUSTOMER	sheet 3 of 3

PDM: Rev:AJ

STATUS: Released

Printed: May 26, 2009

FCJ
Copyright FCI.