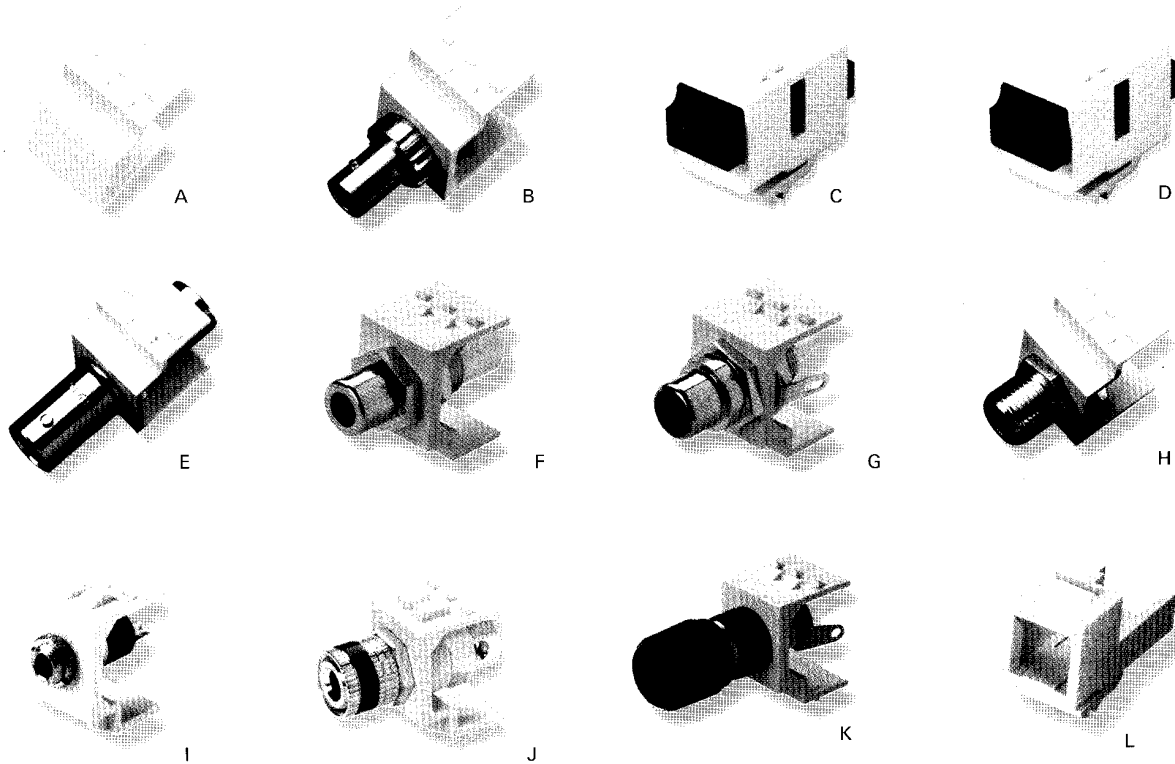


SL Series Multimedia Inserts

SL Series Multimedia Inserts



3.2

CONNECTORS, COUPLERS AND ADAPTERS

Description	Figure	Part Number
Blank	A	1116412-X
ST Coupler	Multimode	B
	Single-mode	-
LC Coupler	Multimode	C
	Single-mode	D
BNC Coupler	E	1339124-X
RCA Coupler	Red Dielectric	F
	White Dielectric	-
	Yellow Dielectric	-
RCA, Solder Termination	Red Dielectric	G
	White Dielectric	-
F-Connector Coupler	White Dielectric	-
	Yellow Dielectric	-
3.5 mm Stereo, Mini-Headphone, Solder Termination	H	1339121-X
Speaker Post	Black Stripe	I
	Red Stripe	J
Binding Post	Black	-
	Red	K
MT-RJ SL Series Housing	L	1374416-Y

X denotes color: -1 = Almond, -2 = Black, -3 = White, -4 = Gray, 1--1 = Electrical Ivory
 Y denotes color: -1 = Almond, -2 = Black, -3 = White, -4 = Gray, -5 = Orange, -6 = Blue, -7 = Red,
 -8 = Yellow -9 = Green, 1--0 = Violet, 1--1 = Electrical Ivory, 2--3 = Rose,
 2--4 = Aqua, 2--5 = Brown, 2--6 = Slate

NOTE: Highlighted part numbers are routinely stocked for shortest lead times.

Product Facts

- :: Provide connections for different media types
- :: Configure faceplates to handle various services
- :: May be used in straight or angled SL Series Faceplate Modules
- :: Inserts easily snap into SL Series Modules and Duplex Mounting Straps
- :: MT-RJ SL Series housing accepts one MT-RJ Jack sold separately