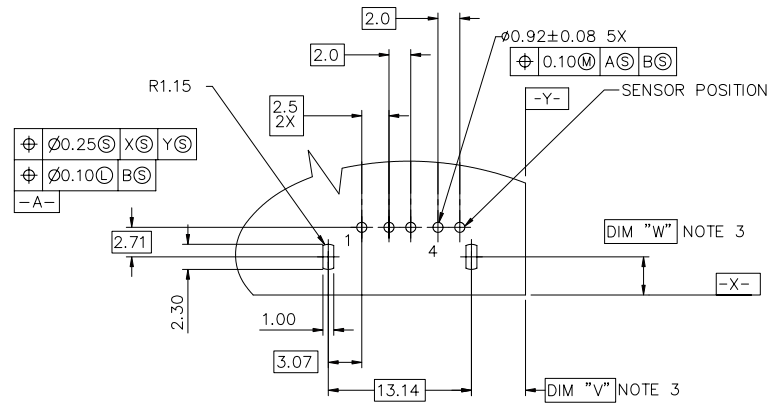
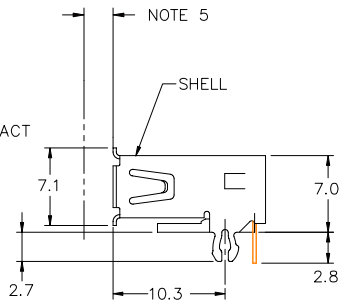
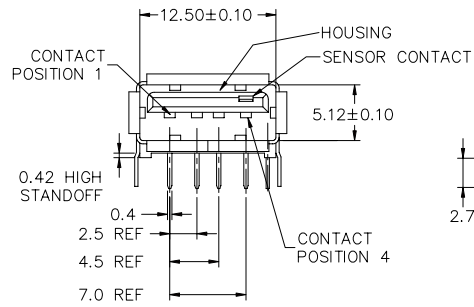
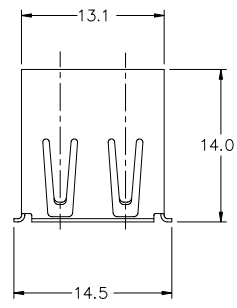


Tous droits strictement réservés. Reproduction ou communication à des tiers interdite sous quelque forme que ce soit sans autorisation écrite du propriétaire. Propriété de ©BERG ELECTRONICS. Droits de reproduction BERG ELECTRONICS INC.

All rights strictly reserved. Reproduction or issue to third parties in any form whatever is not permitted without written authority from the proprietor. Property of ©BERG ELECTRONICS. Copyright BERG ELECTRONICS INC.

PRODUCT NO.
SEE PRODUCT NUMBER CODE



P.C. BOARD LAYOUT

- NOTES:
- MATERIAL:
CONTACTS: COPPER ALLOY
SHELL: COPPER ALLOY
HOUSING: UL 94V-0 RATED THERMOPLASTIC
 - PLATING:
CONTACTS: 0.76µm MINIMUM GOLD FLASH OVER PALLADIUM NICKEL IN CONTACT AREA. 2.54µm MINIMUM TIN-LEAD OR TIN ON SOLDER TAILS ALL OVER 1.27µm NICKEL UNDERPLATE
SHELL: 2.5µm BRIGHT TIN OVER NICKEL UNDERPLATE
SEE PRODUCT NUMBER CODE
 - DATUM AND BASIC DIMENSIONS ESTABLISHED BY CUSTOMER
 - RECOMMENDED PC BOARD THICKNESS OF 1.57mm
 - 2.67mm MAXIMUM PANEL THICKNESS IF MOUNTED BEHIND PANEL
- (TO BE CONTINUED)

mat'l. code NOTE 1 & 2				tolerances unless otherwise specified				CUSTOMER COPY		ELECTRONICS FCI	
ltr	ecn no	dr	date	.X ±.25				projection ↗	title UNIV. SERIAL BUS SENSOR RECEPTACLE		
P	N04-0033	PH	07/30/04	.XX							
R	N04-0066	PH	10/13/04	.XXX							
				angles 0° ±2°				product family USB		code -	
K	T80531	P P	12/02/98	dr	FUSSELMAN	5/7/96	product family size A4		code -		
L	T20093	WL	04/01/02	enr	J. DAVID	5/7/96	size A4		code -		
M	T04-0069	WL	02/18/04	chr	MACMULLIN	12/18/96	size A4		code -		
N	T04-0283	WL	07/01/04	appd	MACMULLIN	12/18/96	size A4		code -		
sheet	revision	q	q	scale 2:1							
index	sheet	1	2	sheet 1 of 2							

form no. 7530-001-103

PDM: Rev:R STATUS Released 22526
cage code 22526
date: Jul 28, 2010



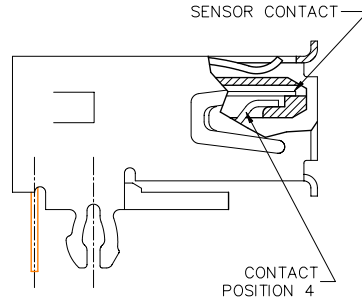
1 | 2 | 3 | 4

PRODUCT NUMBER CODE

BASE PRODUCT NUMBER	72313	-	X	X	X	X	X	P	LF
HOUSING COLOR AND SHELL PLATING OPTIONS									
0 - WHITE+SHELL TIN/LEAD & NICKEL PLATING									
1 - BLACK+SHELL TIN/LEAD & NICKEL PLATING									
2 - WHITE+SHELL NICKEL PLATING ONLY									
3 - BLACK+SHELL NICKEL PLATING ONLY									
4 - BLACK(NYLON 66)+NICKEL PLATING ONLY									
5 - BLACK(HIGH TEMPERATURE RESIN)+NICKEL PLATING ONLY									
6 - WHITE(HIGH TEMPERATURE RESIN)+BRIGHT TIN & NICKEL PLATING									
7 - BLACK(HIGH TEMPERATURE RESIN)+BRIGHT TIN & NICKEL PLATING									
8 - WHITE(HIGH TEMPERATURE RESIN)+NICKEL PLATING ONLY									
SHELL OPTION									
0 - NO BACK SHIELD									
MOUNTING HOLE OPTIONS									
1 - NONE									
TERMINAL PLATING OPTION									
0 - WHEN NO "LF" MARK. 50u" Ni UNDERPLATE									
30u" GXT CONTACT AREA									
100u" TIN/LEAD TAIL AREA									
2 - WHEN NO "LF" MARK. 1.27µm Ni UNDERPLATE									
0.76µm/30µ" GOLD CONTACT AREA									
2.54µm TIN/LEAD TAIL AREA									
3 - WHEN WITH "LF" MARK. 50u" Ni UNDERPLATE									
30u" GXT CONTACT AREA									
100u" TIN TAIL AREA									
PACKAGING OPTIONS									
B - TUBES									
R - TAPE & REEL									
DATE CODE									
LEAD FREE MARK									
WHEN TERMINAL PLATING OPTION IS 3									
AND HOUSING AND SHELL PLATING OPTION IS 5, 6, 7 OR 8									

(CONTINUED)

6. If lead free p/n, a lead free label will appear at packing
7. If lead free p/n, the housing will withstand exposure to 260° peak temperature for 40 seconds in a convection, infra-red or vapor phase reflow oven
8. If lead free p/n, the product meets the requirements of the European Union Directive of Restrictions for Hazardous Substances (Directive 2002/95/EC) and can be processed in the process conditions for which the product is developed. FCI, its subsidiaries and affiliates ("FCI") provides the above data and information in good faith based upon current knowledge and experience, but makes no warranty that such data or information is free from error, is complete or is sufficient for user's intended purpose EVEN IF MADE KNOWN TO FCI. FCI specifically disclaims any warranty, express or implied, and assumes no liability with respect to the effectiveness or safety of the products listed above. Each user must make its own determination as to the suitability of FCI's products and materials for its own particular purposes, and must assure that its products fabricated from FCI's products and materials are safe and lawful. It is the user's responsibility to assure proper use and disposal of FCI's products and materials, the safety and health of user's employees and customers, and user's compliance with applicable laws and regulations



mat'l. code				tolerances unless otherwise specified				CUSTOMER COPY	BERG ELECTRONICS	
ltr	ecr no	dr	date	linear	.XX	projection		title		
R					.XXX	↙		UNIV. SERIAL BUS SENSOR RECEPTACLE		
					angles	0° ±2'		product family USB		
				dr	FUSSELMAN	5/7/96	← mmm →		code	
				enrg	J.DAVID	5/7/96	scale 2:1		size	
				chr	MACMULLIN	12/18/96	A4		dwg no	
				appd	MACMULLIN	12/18/96	72313		sheet	
sheet	revision								2 of	
index	sheet									

form no. 7530-001-103

1 | 2

PDM: Rev:R 3

STATUS Released 25 Oct 2016: Jul 28, 2010

cage code

2526: Jul 28, 2010