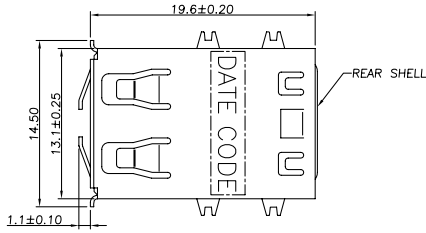
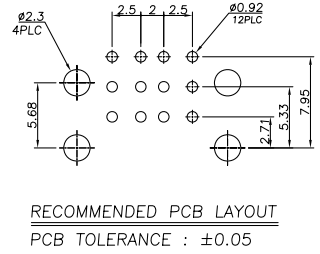
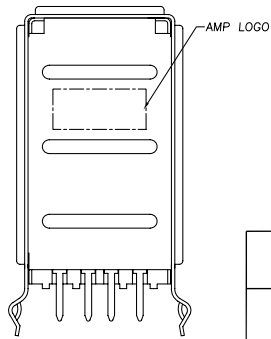
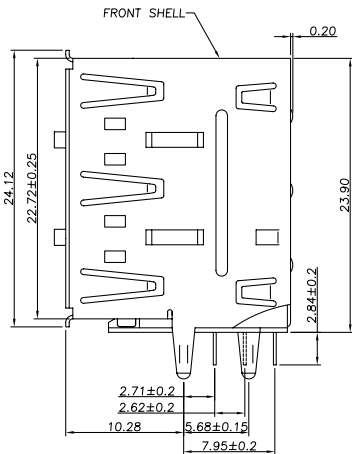
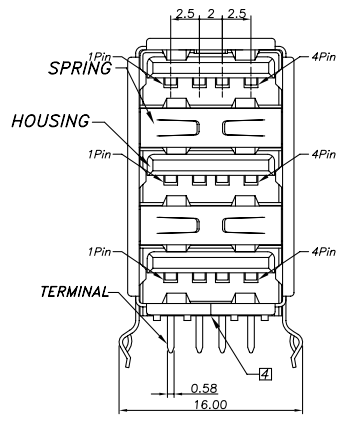


THIS DRAWING IS UNPUBLISHED. RELEASED FOR PUBLICATION AUG 2006.
 © COPYRIGHT BY TYCO ELECTRONICS CORPORATION. ALL RIGHTS RESERVED.

LOC		DIST		REVISIONS			
P	LTR	DESCRIPTION	DATE	DMN	APVD	REV	WK
B		REVISED (ECR-09-008206)	14APR09	SC			WK



- NOTES :
- MATERIAL :
HOUSING : THERMOPLATIC, UL 94V-0, COLOR: SEE TABLE.
CONTACT : PHOSPHOR BRONZE, (t=0.25mm).
FRONT SHELL & SPRING : BRASS, (t=0.30mm).
REAR SHELL : SPCC (t=0.30mm).
 - FINISH :
CONTACT : GOLD PLATED(SEE TABLE) ON CONTACT AREA, 100u" MIN. TIN PLATED ON SOLDERTAILS, 50u" MIN. NICKEL UNDERPLATED ALL OVER.
FRONT SHELL: 40u" MIN. NICKEL PLATED OVER 50u" MIN. CU UNDERPLATED ALL OVER.
REAR SHELL: 100u" MIN. NICKEL PLATED OVER 100u" MIN. CU UNDERPLATED ALL OVER.
 - TOLERANCE : ±0.30mm.
[4] GAP:0.25mm(MAX.)

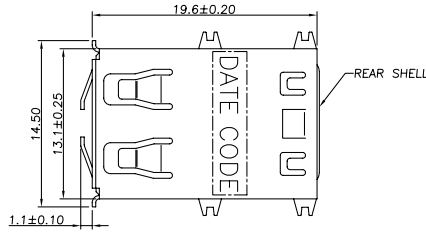
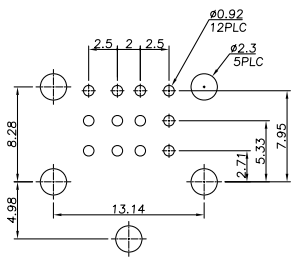


30μ"	BLACK	1734181-6
	WHITE	1734181-5
5μ"	BLACK	1734181-4
	WHITE	1734181-3
GOLD FLASH	BLACK	1734181-2
	WHITE	1734181-1
MIN. GOLD THICKNESS	HSG. COLOR	PART NUMBER

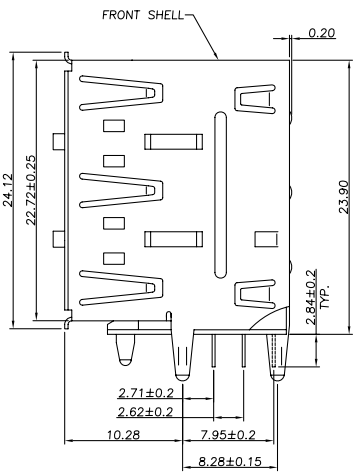
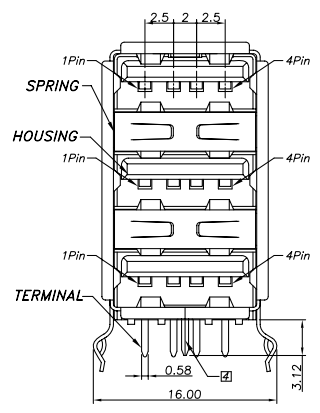
THIS DRAWING IS A CONTROLLED DOCUMENT.		DMN S. CHIEN 14APR2009	Tyco Electronics Corporation Taipei, Taiwan	
DIMENSIONS: MM		CHK S. CHIEN 14APR2009	NAME RCPT. ASS'Y TRIPLE STACKED USB, R/A, A TYPE.	
TOLERANCES UNLESS OTHERWISE SPECIFIED:		APVD W. KODAMA 14APR2009	PRODUCT SPEC 108-57113	
0 PLC ± 0.3		QUALIFICATION TEST REPORT		
1 PLC ± 0.3		501-57061		
2 PLC ± 0.3		WEIGHT - GRAMS		
3 PLC ± -		A3 00779 ©=1734181		
4 PLC ± -		CUSTOMER DRAWING		
ANGLES ± 3°		SCALE - SHEET 1 of 3 REV B		
MATERIAL SEE NOTE		FINISH SEE NOTE		

THIS DRAWING IS UNPUBLISHED. RELEASED FOR PUBLICATION AUG 2006.
 © COPYRIGHT BY TYCO ELECTRONICS CORPORATION. ALL RIGHTS RESERVED.

LOC	DIST	REVISIONS			
P	LTR	DESCRIPTION	DATE	DWN	APVD
DW		SEE SHEET 1.			



- NOTES :
- MATERIAL :
 HOUSING : THERMOPLASTIC, UL 94V-0, COLOR: SEE TABLE.
 CONTACT : PHOSPHOR BRONZE, (t=0.25mm).
 FRONT SHELL & SPRING : BRASS, (t=0.30mm).
 REAR SHELL : SPCC (t=0.30mm).
 - FINISH :
 CONTACT : GOLD PLATED(SEE TABLE) ON CONTACT AREA, 100u" MIN. TIN PLATED ON SOLDERTAILS, 50u" MIN. NICKEL UNDERPLATED ALL OVER.
 FRONT SHELL: 40u" MIN. NICKEL PLATED OVER 50u" MIN. CU UNDERPLATED ALL OVER.
 REAR SHELL: 100u" MIN. NICKEL PLATED OVER 100u" MIN. CU UNDERPLATED ALL OVER.
 - TOLERANCE : ±0.30mm.
 [4] GAP.0.25mm(MAX.)

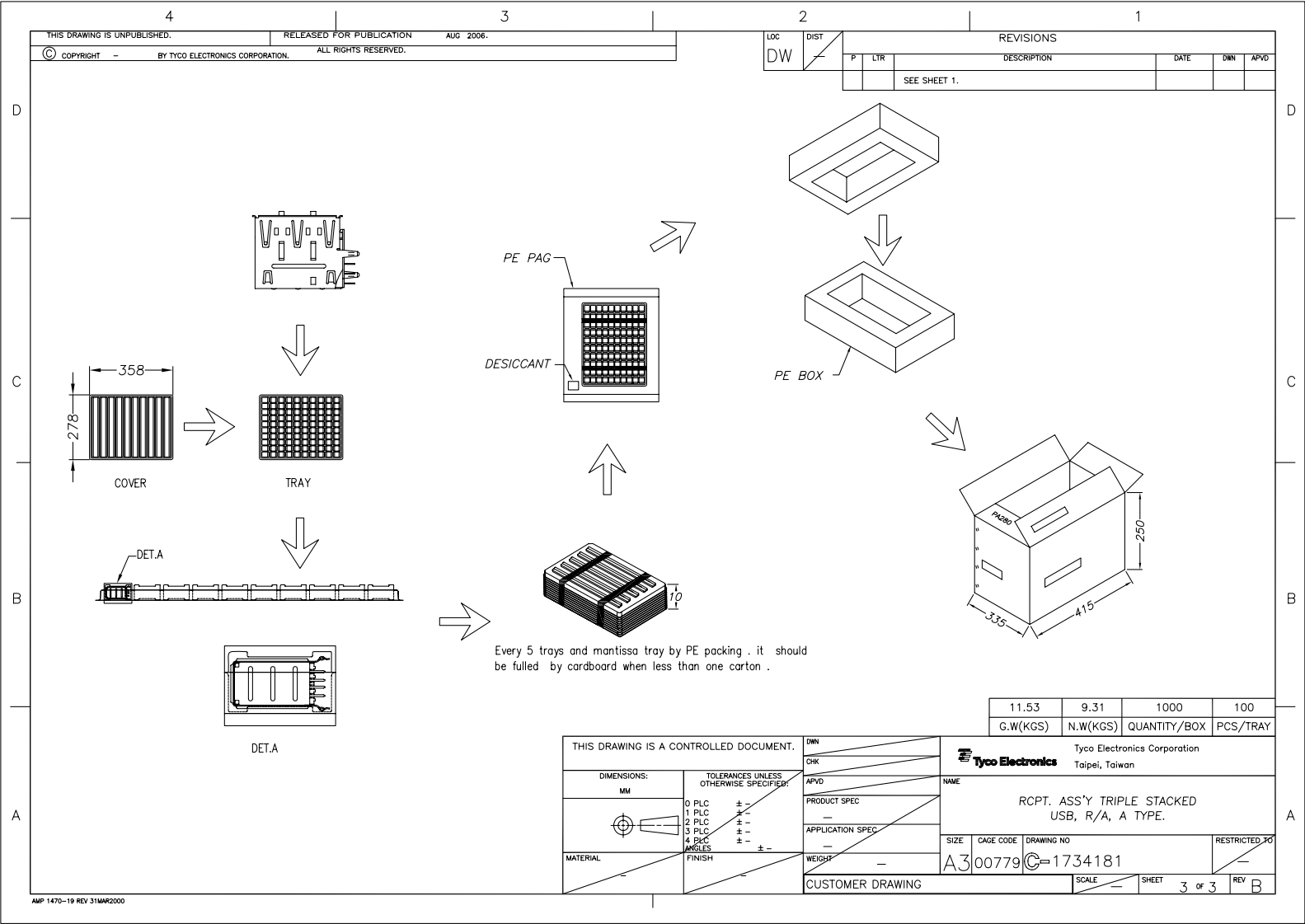


30μ"	BLACK	1-1734181-2
	WHITE	1-1734181-1
5μ"	BLACK	1-1734181-0
	WHITE	1734181-9
GOLD FLASH	BLACK	1734181-8
	WHITE	1734181-7
MIN. GOLD THICKNESS	HSG. COLOR	PART NUMBER

DIMENSIONS:		TOLERANCES UNLESS OTHERWISE SPECIFIED:		APVD		NAME	
MM	0 PLC ±	1 PLC ±	2 PLC ±	3 PLC ±	4 PLC ±	Tyco Electronics Corporation Taipei, Taiwan	
	ANGLES ±	FINISH		PRODUCT SPEC	APPLICATION SPEC	RCPT. ASS'Y TRIPLE STACKED USB, R/A, A TYPE.	
MATERIAL				WEIGHT		SIZE	CAGE CODE
						A3	00779
						DRAWING NO. C=1734181	
				CUSTOMER DRAWING	SCALE	SHEET	REV
						2 of 3	B

THIS DRAWING IS UNPUBLISHED. RELEASED FOR PUBLICATION AUG 2006.
 © COPYRIGHT BY TYCO ELECTRONICS CORPORATION. ALL RIGHTS RESERVED.

LOC	DIST	REVISIONS			
P	LTR	DESCRIPTION	DATE	DWN	APVD
DW		SEE SHEET 1.			



11.53	9.31	1000	100
G.W(KGS)	N.W(KGS)	QUANTITY/BOX	PCS/TRAY

THIS DRAWING IS A CONTROLLED DOCUMENT.		DWN	Tyco Electronics Corporation Taipei, Taiwan	
DIMENSIONS: MM		CHK	NAME	
TOLERANCES UNLESS OTHERWISE SPECIFIED:		APVD	RCPT. ASS'Y TRIPLE STACKED USB, R/A, A TYPE.	
0 PLC ± -		PRODUCT SPEC	SIZE	CAGE CODE
1 PLC ± -		APPLICATION SPEC	A3	00779
2 PLC ± -		WEIGHT	DRAWING NO	
3 PLC ± -			C=1734181	
4 PLC ± -			RESTRICTED TO	
ANGLES ± -		CUSTOMER DRAWING	SCALE	SHEET
MATERIAL				3 of 3
FINISH				REV B

AMP 1470-19 REV 31MAR2000