

mat'l. code	dr	date	line	tolerances unless otherwise specified	CUSTOMER COPY	title	www.fci.com
B	TH3-0386	J.C	9/9/03	.XX ± 0.20	projection	MINI USB AB TYPE RECEPTACLE CONNECTOR, R/A SMT TYPE	www.fci.com
C	TH4-0020	J.C	3/10/04	.XXX ± 0.10	projection		
D	TH5-0261	W.L	11/15/05	Ø ± 3°	projection		
E	TH6-0030	A.C	2/16/06		projection		
F	TH6-0074	A.C	4/10/06		projection		
G	TH8-0201	A.C	12/14/06		projection		
H	TH3-0386	J.H	6/22/08		projection		
sheet	revision	H	H		scale		
Index	sheet	1	2		1:1	A4	

AC:AD

code code

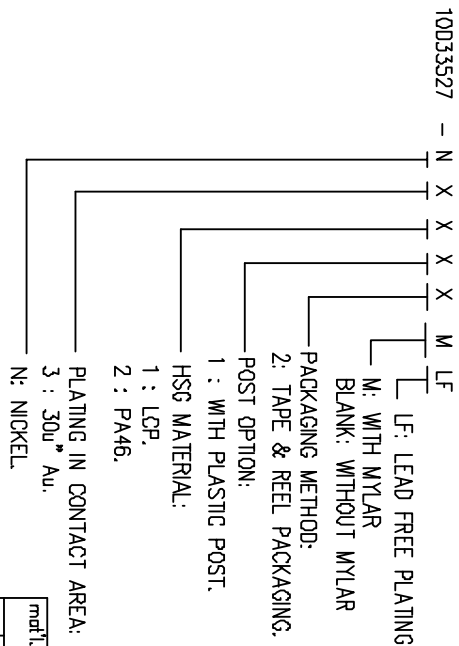
10033527

code sheet 1 of 2

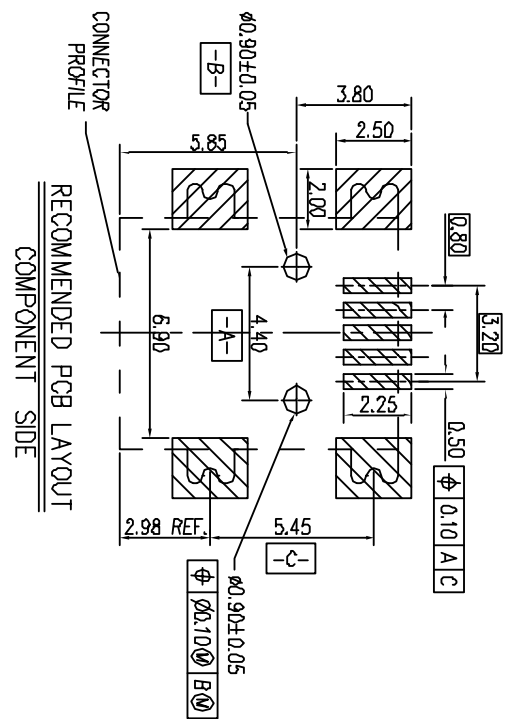
PROD NO.
SEE NOTES

NOTES:

1. MATERIAL:
HOUSING: HIGH TEMP THERMOPLASTIC, GLASS FIBER FILLED.
UL 94V-0 RATED, COLOR IN BLACK
CONTACT: COPPER ALLOY,
SHELL: COPPER ALLOY.
2. FINISH:
CONTACT: UNDERPLATED 50u" MIN. NICKEL OVER ALL
100u" MIN. MATTE TIN PLATED IN SOLDERING AREA FOR LEAD FREE VERSION.
SELECTIVE GOLD PLATED IN CONTACT AREA.
SHELL: 8 NICKEL, PLATED WITH 40u" MIN. THICK
OVER 100u" THICKNESS Cu.
3. 10033527-N3212XLF: THE HOUSING WILL WITHSTAND EXPOSURE TO 260°C PEAK TEMPERATURE FOR 10 SECONDS IN A IR REFLOW APPLICATION, AND THIS PRODUCT MEETS EUROPEAN UNION DIRECTIVES AND OTHER COUNTRY REGULATIONS AS DESCRIBED IN GS-22-008.
4. PRODUCT ORDERING DATA :



5. PRODUCT SPEC: GS-12-174; PACKAGE SPEC: GS-14-873



matl. code	tolerances unless otherwise specified	CUSTOMER COPY	FCI	www.fci.com
lit	XX ± 0.20	projection	MINI USB AB TYPE RECEPTACLE	
H	.XXX ± 0.10	dr	CONNECTOR, R/A SMT TYPE	
	0° ± 3°	engr		
		chr		
		appd		
sheet		scale	1:1	
revision		product family	USB	
sheet		size	10033527	
index		code		

1 2 ACAD

1 2 3 4