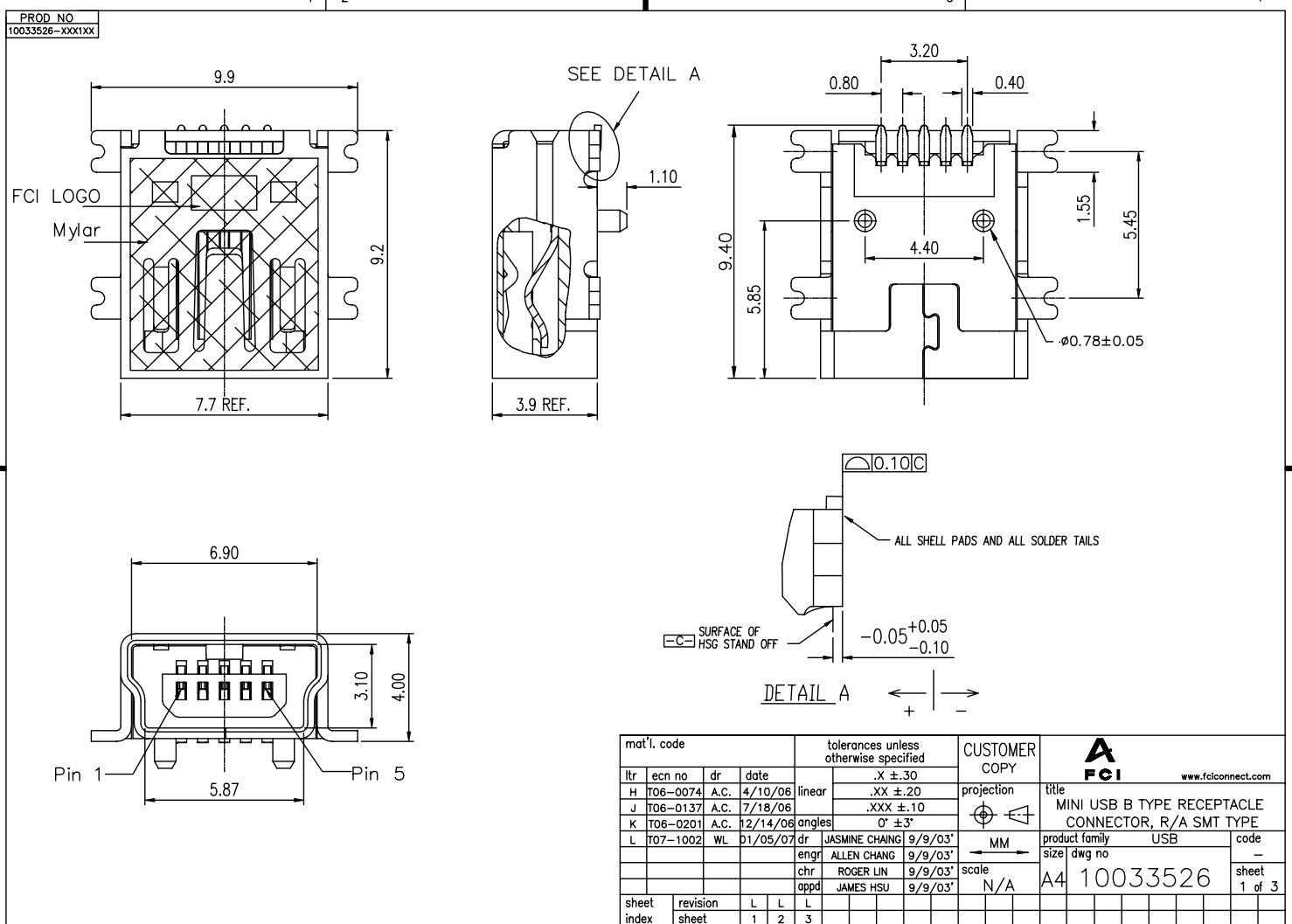


Tous droits strictement réservés. Reproduction ou communication à des tiers interdite sous quelque forme que ce soit sans autorisation écrite du propriétaire. Propriété de © FCI. Droits de reproduction FCI.

All rights strictly reserved. Reproduction or issue to third parties in any form whatever is not permitted without written authority from the proprietor. Property of FCI. Copyright FCI.



mat'l. code				tolerances unless otherwise specified		CUSTOMER COPY		FCI	
ltr	ecn no	dr	date	linear	.X ±.30	projection	title	www.fciconnect.com	
H	T06-0074	A.C.	4/10/06		.XX ±.20		MINI USB B TYPE RECEPTACLE CONNECTOR, R/A SMT TYPE		
J	T06-0137	A.C.	7/18/06	angles	.XXX ±.10				
K	T06-0201	A.C.	12/14/06		0° ±3°		product family USB	code	
L	T07-1002	WL	01/05/07	dr	JASMINE CHANG 9/9/03'			MM	size
				enrg	ALLEN CHANG 9/9/03'	scale N/A	A4 10033526	sheet	
				chr	ROGER LIN 9/9/03'			1 of 3	
				appd	JAMES HSU 9/9/03'				
sheet index	revision sheet	L	L	L				cage code	
		1	2	3				22526	

ACAD PDM: Rev:L STATUS Released 22526 Printed: Oct 08, 2008

Tous droits strictement réservés. Reproduction ou communication a des tiers interdite sous quelque forme que ce soit sans autorisation écrite du propriétaire. Property of FCI. Droits de reproduction FCI.

All rights strictly reserved. Reproduction or issue to third parties in any form whatever is not permitted without written authority from the proprietor. Property of FCI. Copyright FCI.

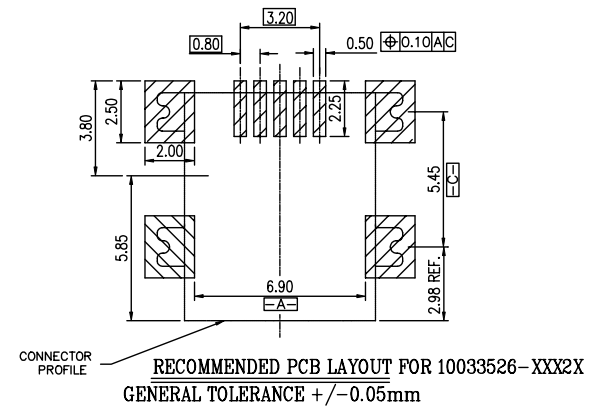
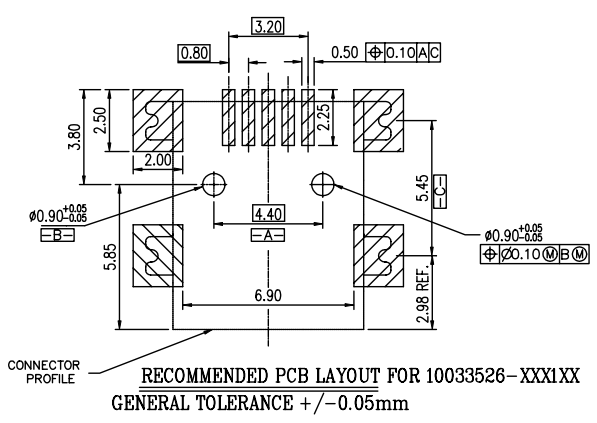
PROD NO  
SEE NOTES

NOTES:

- 1. MATERIAL:  
HOUSING: THERMOPLASTIC. UL 94V-0 RATED, COLOR: BLACK.  
CONTACT: COPPER ALLOY.  
SHELL: COPPER ALLOY  
MYLAR: KAPTON TAPE.
- 2. FINISH:  
CONTACT: UNDERPLATED 50u" MIN. NICKEL OVERALL  
100u" MIN. MATTE TIN PLATED ON SOLDERING AREA,  
SELECTIVE GOLD PLATED ON CONTACT AREA.  
SHIELD: CODE N: PLATED NICKEL WITH 40u" MIN. THICK,  
OVER 100u" THICKNESS Cu.
- 3. 10033526-N3212XLF MEETS THE EUROPEAN UNION DIRECTIVE AS DESCRIBE  
IN GS-22-008 AND ITS HSG WILL WITHSTAND EXPOSE TO 260 DEGREE C  
PEAK TEMPERATURE FOR 10 SECONDS IN A IR REFLOW APPLICATION.
- 4. PRODUCT SPEC: GS-12-174 ; PACKAGE SPEC: GS-14-873.

5. PRODUCT ORDERING DATA :

FOR LEAD-FREE  
10033526 - N X X X X M LF  
LF: Lead Free  
M: WITH MYLAR  
BLANK: WITHOUT MYLAR  
PACKAGING METHOD:  
2: TAPE & REEL PACKAGING  
POST OPTION:  
1: WITH PLASTIC POST.  
2: WITHOUT PLASTIC POST.  
HSG MATERIAL:  
2: HIGH TEMP THERMOPLASTIC  
PLATING IN CONTACT AREA:  
3: 30u" Au.  
N: NICKEL.



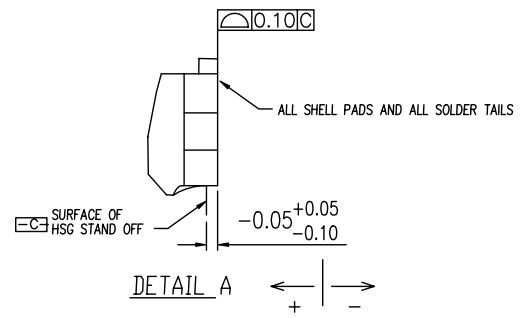
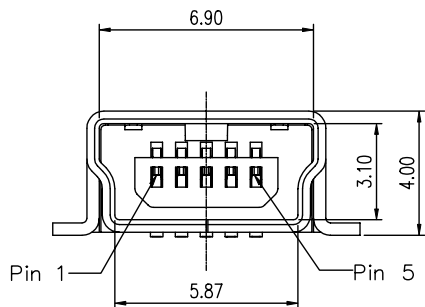
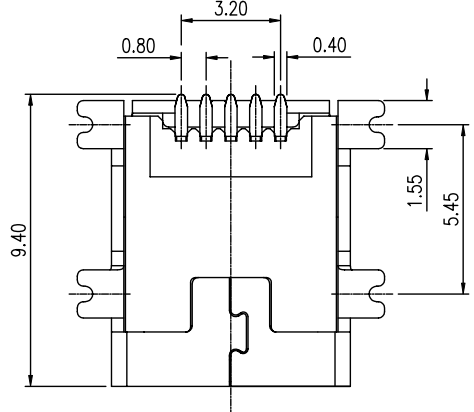
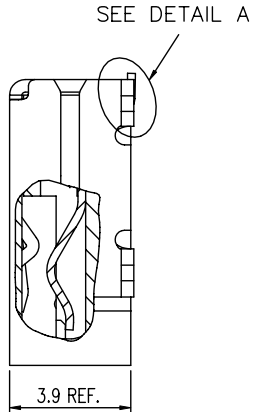
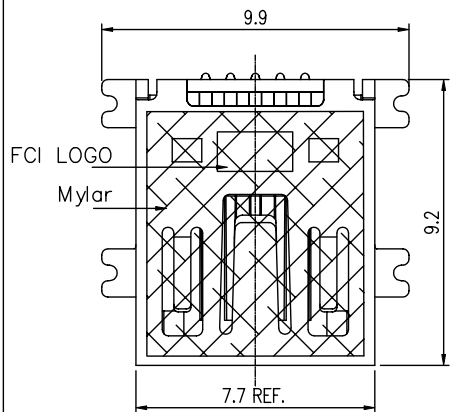
mat'l. code				tolerances unless otherwise specified		CUSTOMER COPY		 www.fciconnect.com	
ltr	ecn no	dr	date	linear	.X ±.30	projection	title		
L					.XX ±.20	 MM	MINI USB B TYPE RECEPTACLE		
				angles	.XXX ±.10		CONNECTOR, R/A SMT TYPE		
					0° ±3°		product family	code	
				dr	JASMINE CHANG 9/9/03'		USB		
				enr	ALLEN CHANG 9/9/03'		size	dwg no	
				chr	ROGER LIN 9/9/03'	scale	A4	10033526	sheet
				appd	JAMES HSU 9/9/03'	N/A			2 of
sheet index	revision sheet								

ACAD PDM: Rev:L STATUS Released 20081008 cage code 28526 Oct 08, 2008

Tous droits strictement reserves. Reproduction ou communication a des tiers interdite sous quelque forme que ce soit sans autorisation écrite du propriétaire. Property of FCI. Droits de reproduction FCI.

All rights strictly reserved. Reproduction or issue to third parties in any form whatever is not permitted without written authority from the proprietor. Property of FCI. Copyright FCI.

PROD NO  
10033526-xxx2xx



mat'l. code		tolerances unless otherwise specified		CUSTOMER COPY		 www.fciconnect.com	
ltr	ecn no	dr	date	linear	projection	title	
L				.X ±.30	 MM	MINI USB B TYPE RECEPTACLE CONNECTOR, R/A SMT TYPE	
				.XX ±.20		product family	code
				.XXX ±.10	size	USB	-
				angles	scale	dwg no	sheet
				0° ±3°	N/A	A4	3 of
				dr	JASMINE CHANG	9/9/03'	
				engr	ALLEN CHANG	9/9/03'	
				chr	ROGER LIN	9/9/03'	
				appd	JAMES HSU	9/9/03'	
sheet index	revision sheet						

PDM: Rev:L 3 STATUS Released 22026 Oct 08, 2008

ACAD