

RECOMMEND P.C.B LAYOUT (THICKNESS 1.2~1.4mm)
(TOP VIEW) TOLERANCE±0.05

NOTES:

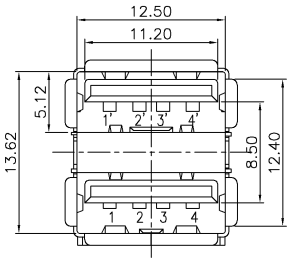
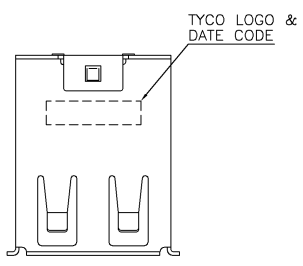
- MATERIAL:
HOUSING: THERMOPLASTIC, HIGH TEMP. WITH 30% GLASS FIBER FILLED.
UL 94V-0 RATED, BLACK COLOR
SPACER: THERMOPLASTIC, HIGH TEMP. WITH 30% G/F,
UL 94V-0 RATED, COLOR: BLACK.
CONTACT: PHOSPHOR BRONZE (t=0.25mm).
FRONT SHIELD: BRASS (t=0.30mm).
REAR SHIELD: SPCC (t=0.30mm).
GROUNDING STRIP: BRASS(t=0.30mm).
- FINISH :
CONTACT: 30μ" MIN. GOLD PLATING ON CONTACT AREA.
150μ" MIN. BRIGHT TIN PLATING ON SOLDERTAILS.
50μ" MIN. NICKEL UNDERPLATING OVERALL
FRONT SHIELD: 120μ" MIN. NICKEL PLATING
50μ" MIN. Cu UNDER PLATING OVERALL
REAR SHIELD: 120μ" MIN. NICKEL PLATING
50μ" MIN. Cu UNDER PLATING OVERALL
GROUNDING STRIP: 120μ" MIN. NICKEL PLATING
50μ" MIN. Cu UNDER PLATING OVERALL
- REFLOW SOLDER CAPABLE TO 260°C PER TYCO
SPEC 109-201, CONDITION B.

TUBE	1-1734062-2
TAPE & REEL	1-1734062-1
PACKAGE	PART NUMBER

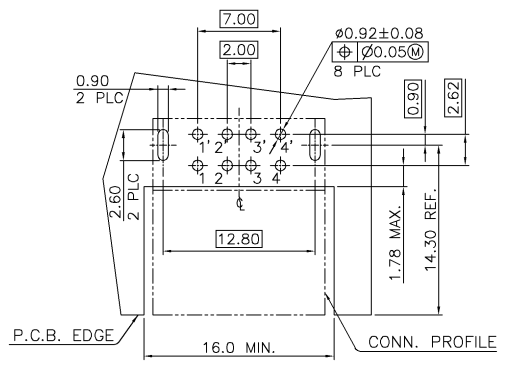
TOLERANCES UNLESS OTHERWISE SPECIFIED: 0 PLC ± 1 PLC ± 0.35 2 PLC ± 0.25 3 PLC ± ANGLES ±	DWN	O. HU	TYCO HOLDINGS (BERMUDA) VII LTD. TAIWAN BRANCH NAME
	CHK	S. HOU	
MATERIAL	APVD	W.J. KE	USB CONNECTOR, A SERIES, STACKED, OFFSET TYPE
SEE NOTE	PRODUCT SPEC	25-AUG-2005	
FINISH	QUALIFICATION TEST REPORT	501-57557	LOC DW
SEE NOTE	WEIGHT	4.71 gram	SIZE A ₃
			DRAWING NO C-1734062
			REV B
			SCALE
			SHEET 2 OF 17

SEE SHEET 1.				
LTR	REVISION RECORD	ECN	DWN/CHK	DATE

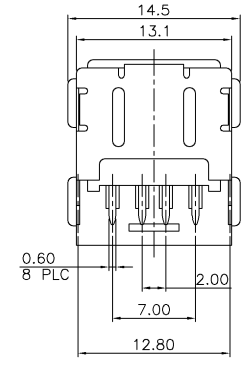
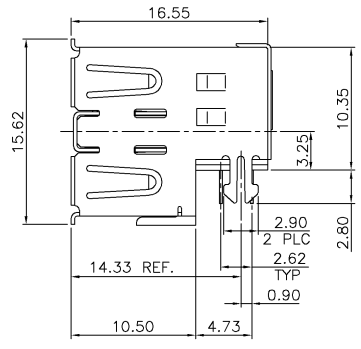
PRINT DIST DW
THIS INFORMATION IS CONFIDENTIAL AND IS DISCLOSED TO YOU ON CONDITION THAT NO FURTHER DISCLOSURE IS MADE BY YOU TO OTHER THAN AMP PERSONNEL WITHOUT DIMENSIONS IN MILLIMETERS. DO NOT SCALE PRINT.



- NOTES:
- MATERIAL:
 HOUSING: THERMOPLASTIC, HIGH TEMP. WITH 30% GLASS FIBER FILLED, UL 94V-0 RATED, BLACK COLOR
 SPACER: THERMOPLASTIC, WITH 30% GLASS FIBER FILLED, UL 94V-0 RATED, BLACK COLOR
 CONTACT: PHOSPHOR BRONZE (t=0.25mm).
 FRONT SHIELD: BRASS (t=0.30mm).
 REAR SHIELD: SPCC (t=0.30mm).
 GROUNDING STRIP: BRASS(t=0.30mm).
 - FINISH:
 CONTACT: 30μ" MIN. GOLD PLATING ON CONTACT AREA.
 150μ" MIN. BRIGHT TIN PLATING ON SOLDERTAILS.
 50μ" MIN. NICKEL UNDERPLATING OVERALL
 FRONT SHIELD: 120μ" MIN. NICKEL PLATING
 50μ" MIN. Cu UNDER PLATING OVERALL
 REAR SHIELD: 120μ" MIN. NICKEL PLATING
 50μ" MIN. Cu UNDER PLATING OVERALL
 GROUNDING STRIP: 120μ" MIN. NICKEL PLATING
 50μ" MIN. Cu UNDER PLATING OVERALL
 - REFLOW SOLDER CAPABLE TO 260°C PER TYCO SPEC 109-201, CONDITION B.



RECOMMENDED P.C.B. LAYOUT (THICKNESS=1.2mm)
 (TOP VIEW) TOLERANCE±0.05

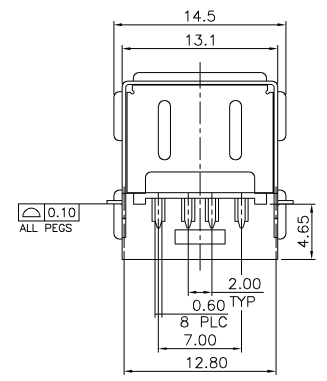
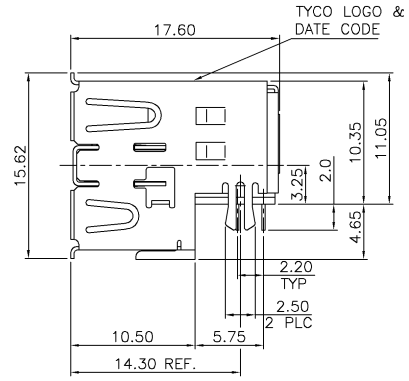
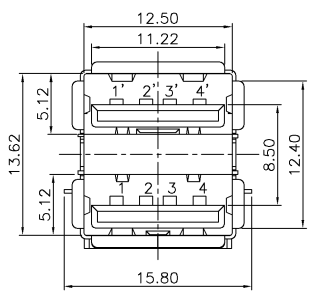


TRAY	2-1734062-2
TUBE	2-1734062-1
PACKAGE	PART NUMBER

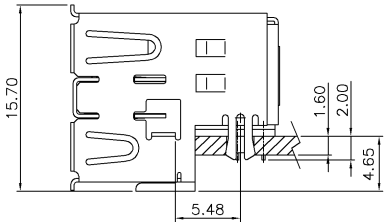
TOLERANCES UNLESS OTHERWISE SPECIFIED: 0 PLC ± 1 PLC ± 0.35 2 PLC ± 0.25 3 PLC ± ANGLES ±	DWN	O. HU	TYCO HOLDINGS (BERMUDA) VII LTD. TAIWAN BRANCH NAME
	CHK	S. HOU	
MATERIAL SEE NOTE	APVD	W.J. KE	USB CONNECTOR, A SERIES, STACKED, OFFSET TYPE
	PRODUCT SPEC	25-AUG-2005	
FINISH SEE NOTE	QUALIFICATION TEST REPORT	501-57557	LOC DW
	WEIGHT	4.71 gram	SCALE
			DRAWING NO. C-1734062
			REV B
			SHEET 3 OF 17

SEE SHEET 1.	ECN	DWN/CHK	DATE
LTR	REVISION RECORD		

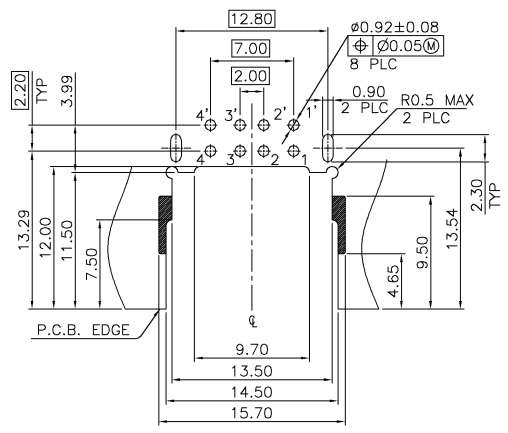
NUMBER C-1734062
 METRIC
 3RD ANGLE PROJECTION



- NOTES:
- MATERIAL:
 HOUSING: THERMOPLASTIC, HIGH TEMP. WITH 30% GLASS FIBER FILLED.
 UL 94V-0 RATED, BLACK COLOR
 SPACER: THERMOPLASTIC, WITH 30% GLASS FIBER FILLED.
 UL 94V-0 RATED, BLACK COLOR
 CONTACT: PHOSPHOR BRONZE (t=0.30mm).
 FRONT SHIELD: BRASS (t=0.25mm).
 REAR SHIELD: SPCC (t=0.30mm).
 GROUNDING STRIP: BRASS(t=0.30mm).
 - FINISH:
 CONTACT: 30µ" MIN. GOLD PLATING ON CONTACT AREA.
 150µ" MIN. BRIGHT TIN PLATING ON SOLDERTAILS.
 50µ" MIN. NICKEL UNDERPLATING OVERALL
 FRONT SHIELD: 120µ" MIN. NICKEL PLATING
 50µ" MIN. Cu UNDER PLATING OVERALL
 REAR SHIELD: 120µ" MIN. NICKEL PLATING
 50µ" MIN. Cu UNDER PLATING OVERALL
 GROUNDING STRIP: 120µ" MIN. NICKEL PLATING
 50µ" MIN. Cu UNDER PLATING OVERALL
 - REFLOW SOLDER CAPABLE TO 260°C PER TYCO SPEC 109-201, CONDITION B.



RECOMMENDED MOUNT DIMENSION



RECOMMEND P.C.B LAYOUT (THICKNESS 1.4~1.6mm)
 (TOP VIEW) TOLERANCE±0.05

TUBE	3-1734062-2
TRAY	3-1734062-1
PACKAGE	PART NUMBER

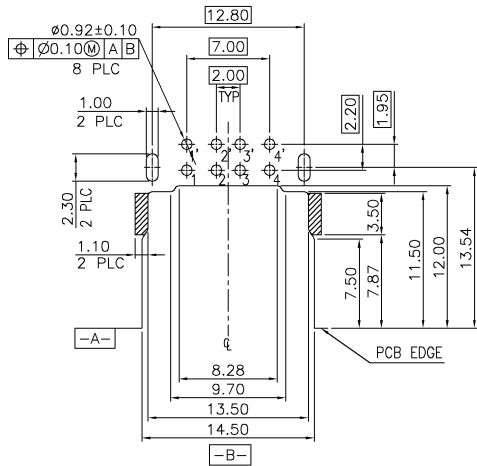
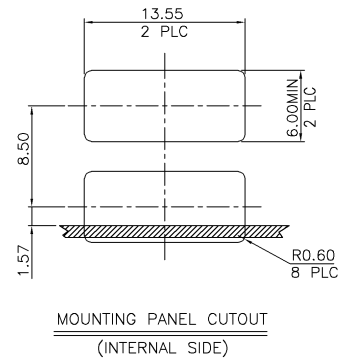
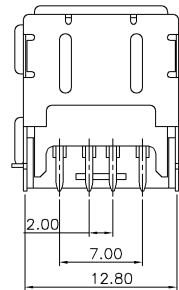
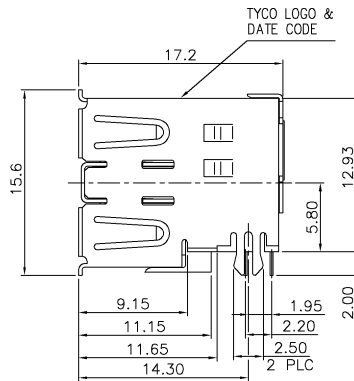
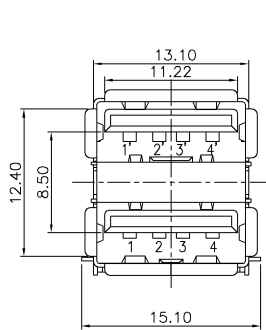
TOLERANCES UNLESS OTHERWISE SPECIFIED: 0 PLC ± 1 PLC ± 0.35 2 PLC ± 0.25 3 PLC ± ANGLES ±	DWN	O. HU	tyco TYCO HOLDINGS (BERMUDA) Electronics VII LTD. TAIWAN BRANCH	
	CHK	S. HOU	NAME	
MATERIAL SEE NOTE	APVD	W.J. KE	USB CONNECTOR, A SERIES, STACKED, OFFSET TYPE	
	PRODUCT SPEC	25-AUG-2005	DRAWING NO	
FINISH SEE NOTE	QUALIFICATION TEST REPORT	501-57557	LOC DW	SIZE A ₃
	WEIGHT	4.71 gram	SCALE	SHEET
				4 OF 17

SEE SHEET 1.	ECN	DWN/CHK	DATE
LTR	REVISION RECORD		

PRINT DIST DW
 THIS INFORMATION IS CONFIDENTIAL AND IS DISCLOSED TO YOU ON CONDITION THAT NO FURTHER DISCLOSURE BE MADE BY YOU TO OTHER THAN AMP PERSONNEL WITHOUT DIMENSIONS IN MILLIMETERS. DO NOT SCALE PRINT.

8 7 6 5 4 3 2 1 CUSTOMER DRAWING

NUMBER C-1734062
METRIC
3RD ANGLE PROJECTION



NOTES:

- MATERIAL:
HOUSING: THERMOPLASTIC, WITH 30% GLASS FIBER FILLED.
UL 94V-0 RATED, BLACK COLOR
SPACER: THERMOPLASTIC, WITH 30% GLASS FIBER FILLED.
UL 94V-0 RATED, BLACK COLOR
CONTACT: PHOSPHOR BRONZE (t=0.25mm).
FRONT SHIELD: BRASS (t=0.30mm).
REAR SHIELD: SPCC (t=0.30mm).
GROUNDING STRIP: BRASS(t=0.30mm).
- FINISH:
CONTACT: 30µ" MIN. GOLD PLATING ON CONTACT AREA.
150µ" MIN. BRIGHT TIN PLATING ON SOLDER TAILS.
50µ" MIN. NICKEL UNDERPLATING OVERALL
FRONT SHIELD: 40µ" MIN. NICKEL PLATING
40µ" MIN. Cu UNDER PLATING OVERALL
REAR SHIELD: 120µ" MIN. NICKEL PLATING
50µ" MIN. Cu UNDER PLATING OVERALL
GROUNDING STRIP: 120µ" MIN. NICKEL PLATING
50µ" MIN. Cu UNDER PLATING OVERALL
- REFLOW SOLDER CAPABLE TO 260°C PER TYCO SPEC 109-201, CONDITION B.

TRAY	5-1734062-2
TAPE & REEL	5-1734062-1

PACKAGE PART NUMBER

TOLERANCES UNLESS OTHERWISE SPECIFIED: 0 PLC ± 1 PLC ± 0.35 2 PLC ± 0.25 3 PLC ± ANGLES ±	DWN	O. HU 25-AUG-2005		TYCO HOLDINGS (BERMUDA) VII LTD. TAIWAN BRANCH	
	CHK	S. HOU 25-AUG-2005		NAME	
MATERIAL	APVD	W.J. KE 25-AUG-2005	USB CONNECTOR, A SERIES, STACKED, OFFSET TYPE		
SEE NOTE	PRODUCT SPEC	108-57481	LOC	SIZE	DRAWING NO
FINISH	QUALIFICATION TEST REPORT	501-57557	DW	A ₃	C-1734062
SEE NOTE	WEIGHT	4.71 gram	SCALE	---	SHEET
					6 OF 17

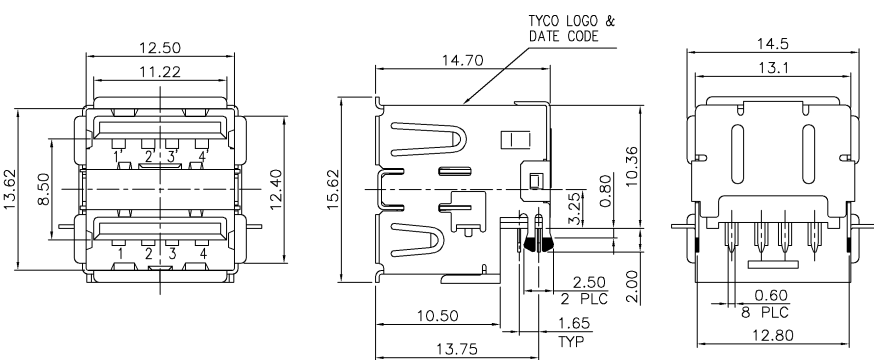
RECOMMENDED PCB LAYOUT (THICKNESS 1.0mm)
COMPONENT SIDE VIEW (TOLERANCE±0.05)

LTR	SEE SHEET 1.	ECN	DWN/CHK	DATE
5			4	

CUSTOMER DRAWING

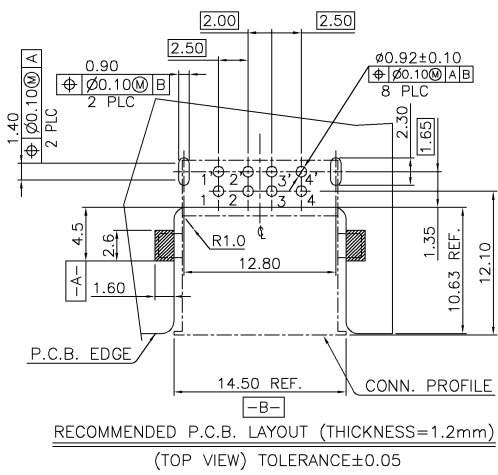
PRINT DIST DW
THIS INFORMATION IS CONFIDENTIAL AND IS DISCLOSED TO YOU ON CONDITION THAT NO FURTHER DISCLOSURE BE MADE BY YOU TO OTHER THAN AMP PERSONNEL WITHOUT DIMENSIONS IN MILLIMETERS. DO NOT SCALE PRINT.

NUMBER C-1734062
 METRIC
 3RD ANGLE PROJECTION



NOTES:
 1. MATERIAL:
 HOUSING: THERMOPLASTIC, HIGH TEMP. WITH 30% GLASS FIBER FILLED. UL 94V-0 RATED, BLACK COLOR
 SPACER: THERMOPLASTIC, HIGH TEMP. WITH 30% GLASS FIBER FILLED. UL 94V-0 RATED, BLACK COLOR
 CONTACT: PHOSPHOR BRONZE (t=0.25mm).
 FRONT SHELL: BRASS (t=0.30mm).
 REAR SHELL: SPCC (t=0.30mm).
 GROUNDING STRIP: BRASS (t=0.30mm).
 2. FINISH:
 CONTACT: 30μ"MIN. GOLD PLATING ON CONTACT AREA, 150μ"MIN. BRIGHT TIN PLATING ON SOLDER TAILS.
 50μ"MIN. NICKEL UNDERPLATING OVERALL.
 FRONT SHELL: 120μ"MIN. NICKEL PLATED
 50μ"MIN. Cu UNDERPLATING OVERALL.
 REAR SHELL: 120μ"MIN. NICKEL PLATED
 50μ"MIN. Cu UNDERPLATING OVERALL.
 GROUNDING SHELL: 120μ"MIN. NICKEL PLATED
 50μ"MIN. Cu UNDERPLATING OVERALL.
 3. REFLOW SOLDER CAPABLE TO 260°C PER TYCO SPEC 109-201, CONDITION B.

THIS INFORMATION IS CONFIDENTIAL AND IS DISCLOSED TO YOU ON CONDITION THAT NO FURTHER DISCLOSURE BE MADE BY YOU TO OTHER THAN AMP PERSONNEL WITHOUT THE WRITTEN PERMISSION OF AMP ELECTRONICS. DIMENSIONS IN MILLIMETERS. DO NOT SCALE PRINT.

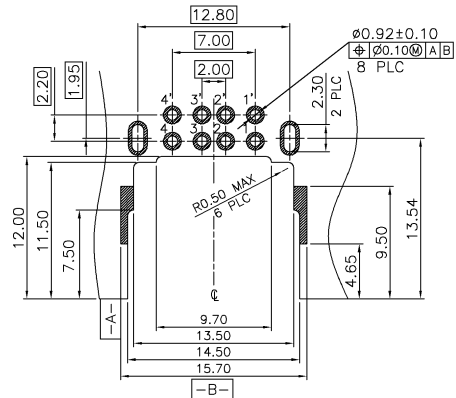
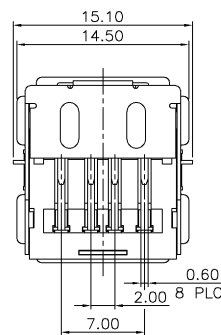
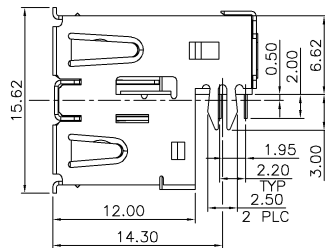
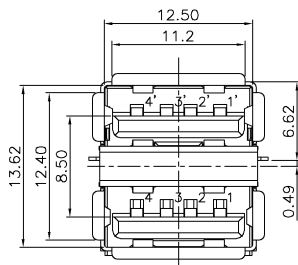
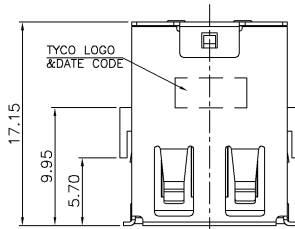


SEE SHEET 1.	ECN	DWN/CHK	DATE
LTR	REVISION RECORD		

TOLERANCES UNLESS OTHERWISE SPECIFIED:		DWN	O. HU	TYCO	
0 PLC ±	25-AUG-2005	CHK	S. HOU	TYCO HOLDINGS (BERMUDA)	
1 PLC ± 0.35			W. J. KE	VII LTD. TAIWAN BRANCH	
2 PLC ± 0.25			25-AUG-2005	NAME	
3 PLC ±			108-57481	USB CONNECTOR, A SERIES, STACKED, OFFSET TYPE	
ANGLES ±				DRAWING NO	
MATERIAL	APVD	QUALIFICATION TEST REPORT	LOG DW	SIZE A ₃	C-1734062
SEE NOTE	PRODUCT SPEC	501-57557	SCALE		REV B
FINISH	WEIGHT	4.71 gram			SHEET 7 OF 17

TAPE & REEL	6-1734062-1
PACKAGE	PART NUMBER

5 4 3 2 1 CUSTOMER DRAWING



RECOMMEND P.C.B LAYOUT (THICKNESS 1.2mm)
 (TOP VIEW) TOLERANCE±0.05

NOTES:

- MATERIAL:
 HOUSING: THERMOPLASTIC, HIGH TEMP. WITH 30% GLASS FIBER FILLED. UL 94V-0 RATED, BLACK COLOR
 SPACER: THERMOPLASTIC, HIGH TEMP. WITH 30% GLASS FIBER FILLED. UL 94V-0 RATED, BLACK COLOR
 CONTACT: PHOSPHOR BRONZE (t=0.25mm).
 FRONT SHIELD: BRASS (t=0.30mm).
 REAR SHIELD: SPCC (t=0.30mm).
 GROUNDING STRIP: BRASS(t=0.30mm).
- FINISH :
 CONTACT: 30µ" MIN. GOLD PLATING ON CONTACT AREA.
 150µ" MIN. BRIGHT TIN PLATING ON SOLDERTAILS.
 50µ" MIN. NICKEL UNDERPLATING OVERALL
 FRONT SHELL: 40µ"MIN. NICKEL PLATED
 40µ"MIN. Cu UNDERPLATING OVERALL.
 REAR SHELL: 120µ"MIN. NICKEL PLATED
 50µ"MIN. Cu UNDERPLATING OVERALL.
 GROUNDING STRIP: 120µ" MIN. NICKEL PLATING
 50µ" MIN. Cu UNDER PLATING OVERALL
- REFLOW SOLDER CAPABLE TO 260°C PER TYCO SPEC 109-201, CONDITION B.

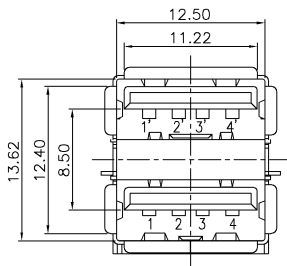
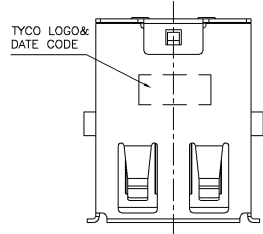
SEE SHEET 1.	ECN	DWN/CHK	DATE
LTR	REVISION RECORD		

TOLERANCES UNLESS OTHERWISE SPECIFIED:		DWN	O. HU	tyco		TYCO HOLDINGS (BERMUDA)	
0 PLC ±		25-AUG-2005	25-AUG-2005	Electronics		VII LTD. TAIWAN BRANCH	
1 PLC ± 0.35		CHK	S. HOU	NAME			
2 PLC ± 0.25			25-AUG-2005	PRODUCT SPEC		USB CONNECTOR, A SERIES, STACKED, OFFSET TYPE	
3 PLC ±				108-57481			
ANGLES ±				QUALIFICATION TEST REPORT		LOG	SIZE
				501-57557		DW	A ₃
				WEIGHT		SCALE	DRAWING NO
				4.3 gram		--	C-1734062
							REV
							B
							SHEET
							8 OF 17

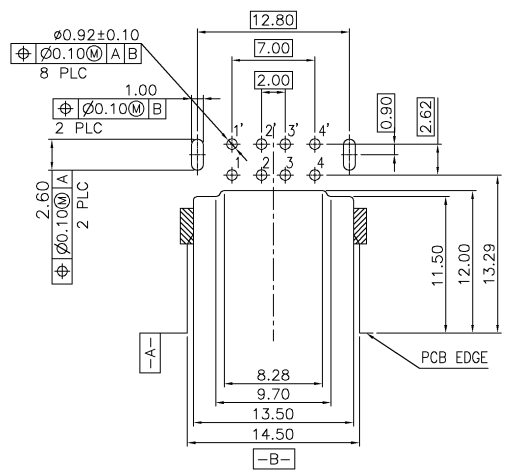
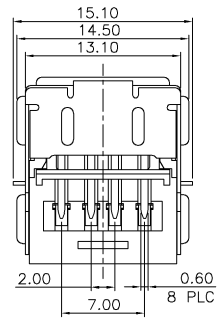
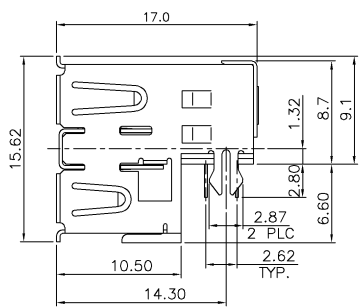
CUSTOMER DRAWING

NUMBER C-1734062
METRIC
3RD ANGLE PROJECTION

PRINT DIST DW
THIS INFORMATION IS CONFIDENTIAL AND IS DISCLOSED TO YOU ON CONDITION THAT NO FURTHER DISCLOSURE IS MADE BY YOU TO OTHER THAN AMP PERSONNEL WITHOUT THE WRITTEN PERMISSION OF AMP. DIMENSIONS IN MILLIMETERS. DO NOT SCALE PRINT.



- NOTES:
- MATERIAL:
HOUSING: THERMOPLASTIC, HIGH TEMP. WITH 30% GF.
UL 94V-0 RATED, BLACK COLOR
CONTACT: PHOSPHOR BRONZE (t=0.25mm).
FRONT SHIELD: BRASS (t=0.30mm).
REAR SHIELD: SPCC (t=0.30mm).
GROUNDING STRIP: BRASS(t=0.30mm).
 - FINISH :
CONTACT: 30μ" MIN. GOLD PLATING ON CONTACT AREA.
150μ" MIN. BRIGHT TIN PLATING ON SOLDERTAILS.
50μ" MIN. NICKEL UNDERPLATING OVERALL
FRONT SHIELD: 40μ"MIN. NICKEL PLATED
40μ"MIN. Cu UNDERPLATING OVERALL.
REAR SHIELD: 120μ"MIN. NICKEL PLATED
50μ"MIN. Cu UNDERPLATING OVERALL.
GROUNDING STRIP: 120μ" MIN. NICKEL PLATING
50μ" MIN. Cu UNDER PLATING OVERALL
 - REFLOW SOLDER CAPABLE TO 260°C PER TYCO SPEC 109-201, CONDITION B.



RECOMMENDED PCB LAYOUT (THICKNESS 1.2mm)
COMPONENT SIDE VIEW(TOLERANCES:±0.05mm)

SEE SHEET 1.	ECN	DWN/CHK	DATE
LTR	REVISION RECORD		

TOLERANCES UNLESS OTHERWISE SPECIFIED:	DWN	O. HU	tyco	TYCO HOLDINGS (BERMUDA)
0 PLC ±	0. HU	25-AUG-2005	Electronics	VII LTD. TAIWAN BRANCH
1 PLC ± 0.35	CHK	S. HOU	NAME	
2 PLC ± 0.25		25-AUG-2005		
3 PLC ±				
ANGLES ±				
MATERIAL	APVD	W.J. KE	USB CONNECTOR, A SERIES, STACKED, OFFSET TYPE	
SEE NOTE	PRODUCT SPEC	25-AUG-2005	LOC	SIZE
	108-57481		DW	A ₃
FINISH	QUALIFICATION TEST REPORT	501-57557	DRAWING NO	REV
SEE NOTE			C-1734062	B
	WEIGHT	4.3 gram	SCALE	SHEET
			--	9 OF 17

REEL	8-1734062-1
PACKAGE	PART NUMBER

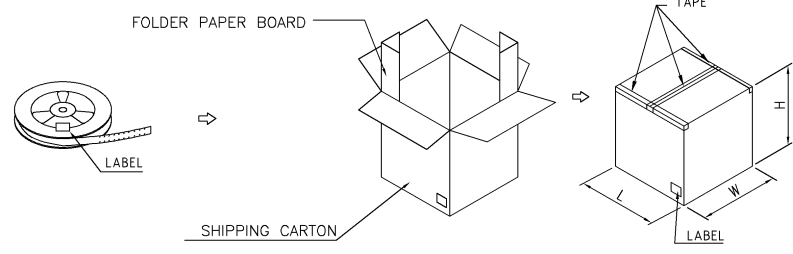
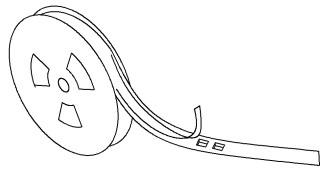
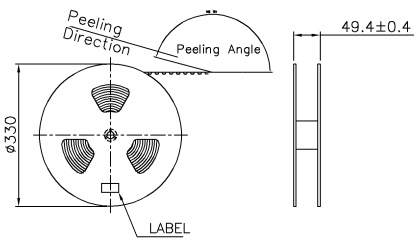
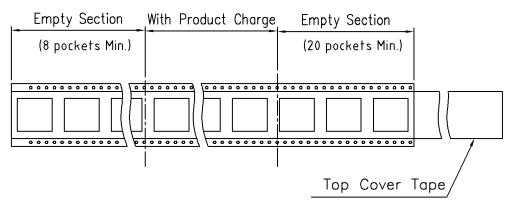
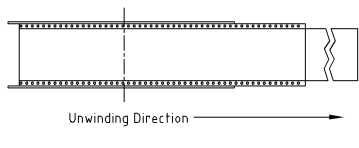
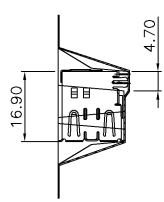
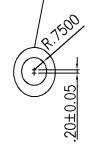
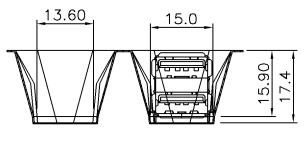
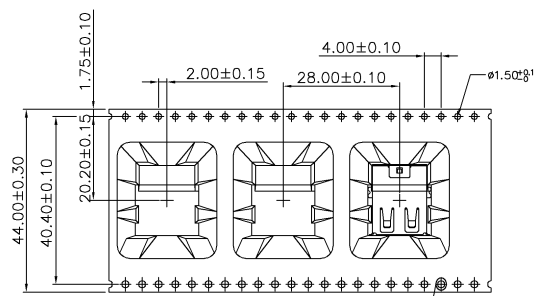
CUSTOMER DRAWING

NUMBER
C-1734062

METRIC
3RD ANGLE PROJECTION

PRINT DIST
DW

THIS INFORMATION IS CONFIDENTIAL AND IS DISCLOSED TO YOU ON CONDITION THAT NO FURTHER DISCLOSURE IS MADE BY YOU TO OTHER THAN AMP PERSONNEL WITHOUT THE WRITTEN PERMISSION OF AMP. DIMENSIONS IN MILLIMETERS. DO NOT SCALE PRINT.



- NOTES:
- MATERIAL:
REEL: PS.
EMBOSSED CARRIER: PS.
COVER TAPE: PBT.
 - DIMENSION :
TAPE REEL: Ø330mmX49.3mm
SHIPPING CARTON: L=350mm, W=350mm, H=350mm
 - QUANTITY :
PRIMARY PACKING:140PCS/REEL
SECONDARY PACKING: 7REELS/CARTON(980PCS).
 - WEIGHT :
NET WEIGHT: 0.66KG/REEL, 4.62KG/CARTON.
GROSS WEIGHT: 1.31KG/REEL, 9.86KG/CARTON.
 - PEELING RESISTANCE: 20G TO 130G.
 - PEELING SPEED: 300MM/MIN.

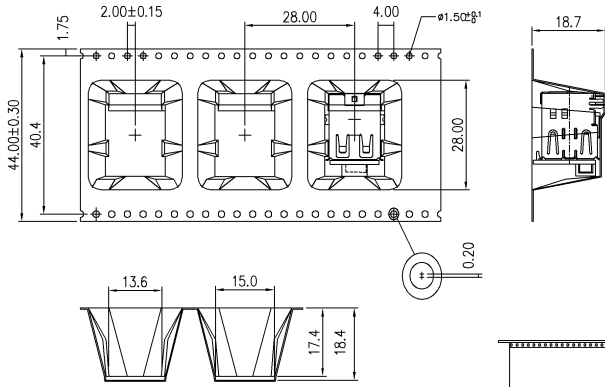
SEE SHEET 1.	ECN	DWN/CHK	DATE
LTR	REVISION RECORD		

TOLERANCES UNLESS OTHERWISE SPECIFIED:	DWN	O. HU	TYCO	
0 PLC ±	25-AUG-2005	S. HOU	TYCO HOLDINGS (BERMUDA)	
1 PLC ±		25-AUG-2005	VII LTD. TAIWAN BRANCH	
2 PLC ±			NAME	
3 PLC ±			APVD W.J. KE	
ANGLES ±		25-AUG-2005	PRODUCT SPEC	
MATERIAL	SEE NOTE		USB CONNECTOR, A SERIES, STACKED, OFFSET TYPE	
FINISH	SEE NOTE		LOC DW	SIZE A ₃
			SCALE	DRAWING NO C-1734062
				REV B
				SHEET 10 OF 17

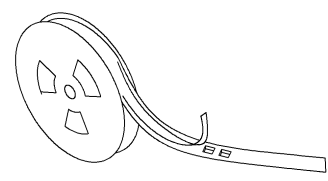
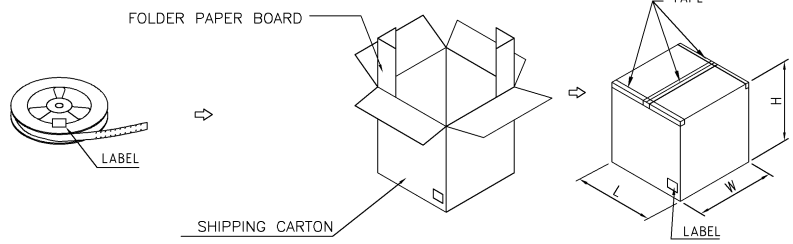
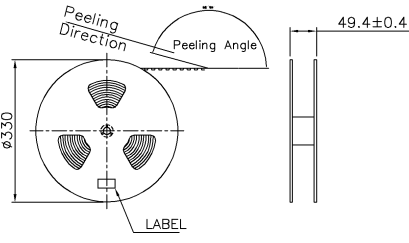
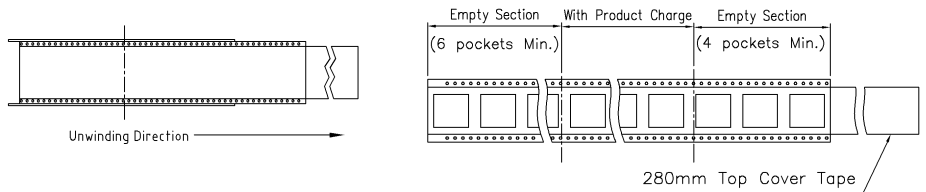
CUSTOMER DRAWING

NUMBER C-1734062
METRIC
3RD ANGLE PROJECTION

PRINT DIST DW
THIS INFORMATION IS CONFIDENTIAL AND IS DISCLOSED TO YOU ON CONDITION THAT NO FURTHER DISCLOSURE IS MADE BY YOU TO OTHER THAN AMP PERSONNEL WITHOUT DIMENSIONS IN MILLIMETERS. DO NOT SCALE PRINT.



- NOTES:
 1. MATERIAL:
 REEL: PS.
 EMBOSSED CARRIER: PS.
 COVER TAPE: PBT.
 2. DIMENSION :
 TAPE REEL: ø330mmX49.3mm
 SHIPPING CARTON: L=350mm, W=350mm, H=350mm
 3. QUANTITY :
 PRIMARY PACKING:100PCS/REEL
 SECONDARY PACKING: 7REELS/CARTON(700PCS).
 4. WEIGHT :
 NET WEIGHT: 0.66KG/REEL, 4.62KG/CARTON.
 GROSS WEIGHT: 1.31KG/REEL, 9.86KG/CARTON.
 5. PEELING RESISTANCE: 20G TO 130G.
 6. PEELING SPEED: 300MM/MIN.



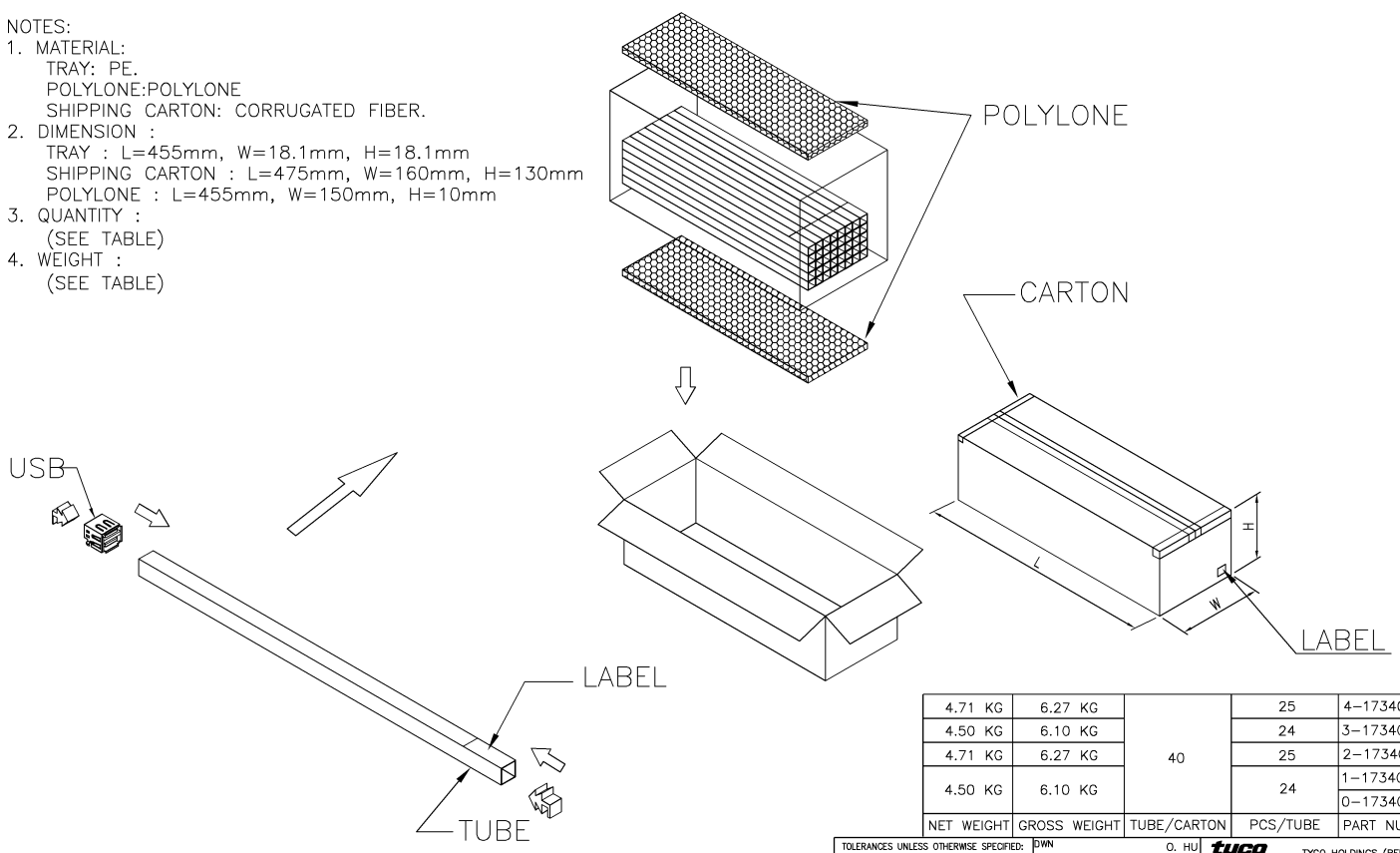
SEE SHEET 1.	ECN	DWN/CHK	DATE
LTR	REVISION RECORD		

TOLERANCES UNLESS OTHERWISE SPECIFIED:		DWN	O. HU	tyco		TYCO HOLDINGS (BERMUDA)	
0 PLC ±	1 PLC ±	25-AUG-2005	25-AUG-2005	Electronics		VII LTD. TAIWAN BRANCH	
2 PLC ±	3 PLC ±	25-AUG-2005	25-AUG-2005	NAME			
ANGLES ±		APVD	W.J. KE	PRODUCT SPEC		USB CONNECTOR, A SERIES, STACKED, OFFSET TYPE	
MATERIAL		25-AUG-2005		APPLICATION SPEC		LOC	SIZE
SEE NOTE				WEIGHT		DW	A ₃
FINISH				SCALE		DRAWING NO	REV
SEE NOTE						C-1734062	B
						SHEET	11 OF 17

CUSTOMER DRAWING

0-1734062-3
PART NUMBER

- NOTES:
 1. MATERIAL:
 TRAY: PE.
 POLYLONE: POLYLONE
 SHIPPING CARTON: CORRUGATED FIBER.
 2. DIMENSION :
 TRAY : L=455mm, W=18.1mm, H=18.1mm
 SHIPPING CARTON : L=475mm, W=160mm, H=130mm
 POLYLONE : L=455mm, W=150mm, H=10mm
 3. QUANTITY :
 (SEE TABLE)
 4. WEIGHT :
 (SEE TABLE)



4.71 KG	6.27 KG	40	25	4-1734062-1
4.50 KG	6.10 KG		24	3-1734062-2
4.71 KG	6.27 KG	40	25	2-1734062-1
4.50 KG	6.10 KG		24	1-1734062-2
NET WEIGHT	GROSS WEIGHT	TUBE/CARTON	PCS/TUBE	PART NUMBER

TOLERANCES UNLESS OTHERWISE SPECIFIED:		DWN O. HU 25-AUG-2005		TYCO TYCO HOLDINGS (BERMUDA) VII LTD. TAIWAN BRANCH	
0 PLC ±		CHK S. HOU 25-AUG-2005		NAME	
1 PLC ±		APVD W.J. KE 25-AUG-2005		USB CONNECTOR, A SERIES, STACKED, OFFSET TYPE	
2 PLC ±		PRODUCT SPEC		LOC DW A ₃	
3 PLC ±		APPLICATION SPEC		DRAWING NO C-1734062	
ANGLES ±		WEIGHT		SCALE	
MATERIAL		FINISH		REV B	
SEE NOTE		SEE NOTE		SHEET 12 OF 17	

SEE SHEET 1.	REVISION RECORD	ECN	DWN/CHK	DATE

THIS INFORMATION IS CONFIDENTIAL AND IS DISCLOSED TO YOU ON CONDITION THAT NO FURTHER DISCLOSURE IS MADE BY YOU TO OTHER THAN AMP PERSONNEL WITHOUT DIMENSIONS IN MILLIMETERS. DO NOT SCALE PRINT.

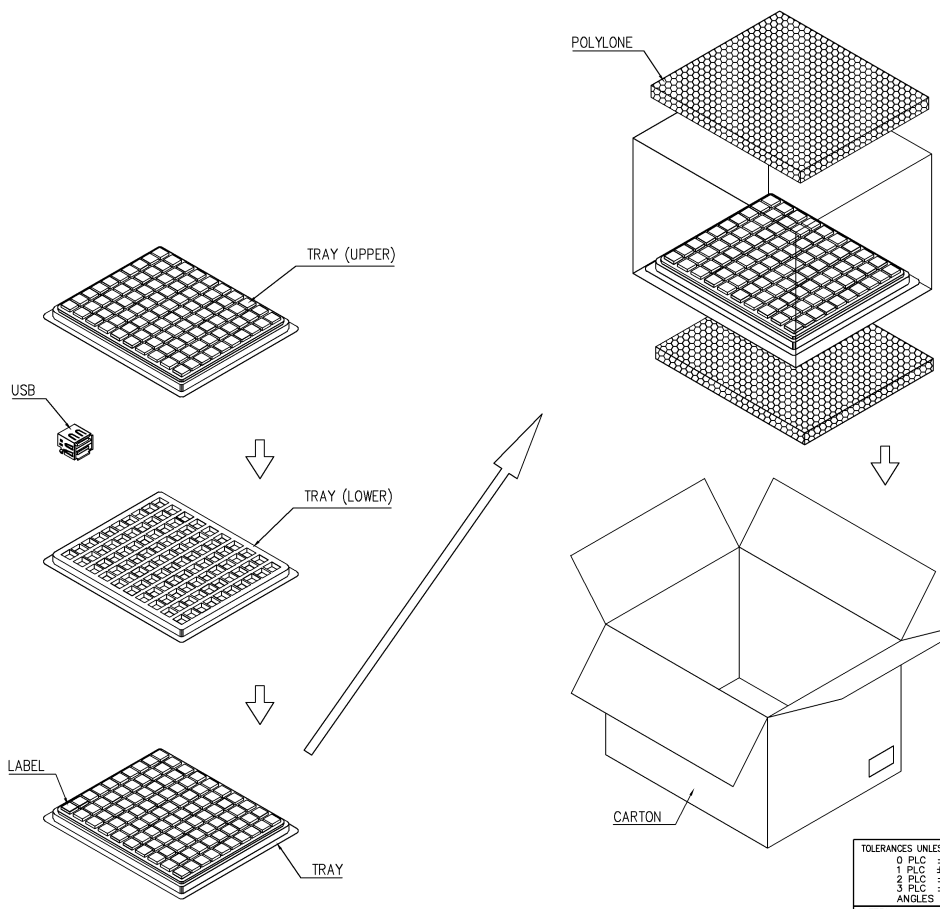
NUMBER C-1734062



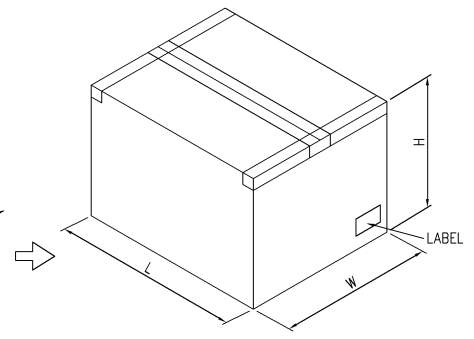
METRIC

PRINT DIST DW

THIS INFORMATION IS CONFIDENTIAL AND IS DISCLOSED TO YOU ON CONDITION THAT NO FURTHER DISCLOSURE IS MADE BY YOU TO OTHER THAN AMP PERSONNEL WITHOUT DIMENSIONS IN MILLIMETERS. DO NOT SCALE PRINT.



- NOTES:
- MATERIAL:
TRAY: PS.
POLYLONE: POLYLONE.
SHIPPING CARTON: CORRUGATED FIBER.
 - DIMENSION :
TRAY : L=295mm, W=250mm, H=21mm
SHIPPING CARTON: L=315mm, W=260mm, H=220mm
POLYSTYRENE : L=290mm, W=250mm, H=20mm
 - QUANTITY :
PRIMARY PACKING: 100 PCS/TRAY
SECONDARY PACKING: 10 TRAY/CARTON(1,000PCS)
 - WEIGHT :
NET WEIGHT: 4.71KG/CARTON.
GROSS WEIGHT: 6.27KG/CARTON.



5-1734062-2
3-1734062-1

PART NUMBER

TOLERANCES UNLESS OTHERWISE SPECIFIED: 0 PLC ± 1 PLC ± 2 PLC ± 3 PLC ± ANGLES ±	DWN 25-AUG-2005	O. HU 25-AUG-2005	tyco Electronics	TYCO HOLDINGS (BERMUDA) VII LTD. TAIWAN BRANCH
MATERIAL SEE NOTE	CHK 25-AUG-2005	S. HOU 25-AUG-2005	NAME	USB CONNECTOR, A SERIES, STACKED, OFFSET TYPE
FINISH SEE NOTE	APVD 25-AUG-2005	W.J. KE 25-AUG-2005	LOC DW	SIZE A ₃
	WEIGHT		DRAWING NO C-1734062	REV B
			SCALE --	SHEET 13 OF 17

SEE SHEET 1.	ECN	DWN/CHK	DATE
LTR	REVISION RECORD		

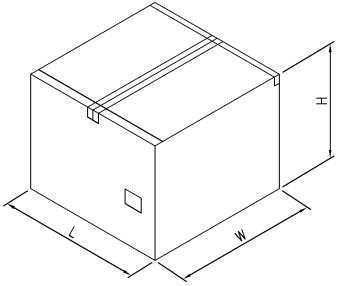
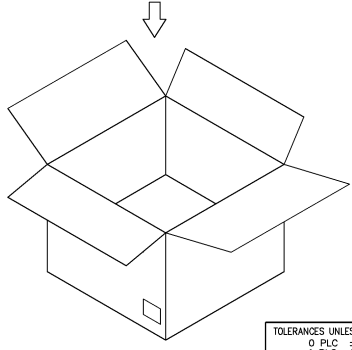
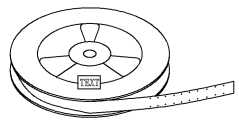
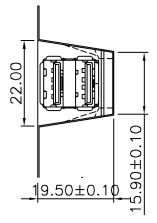
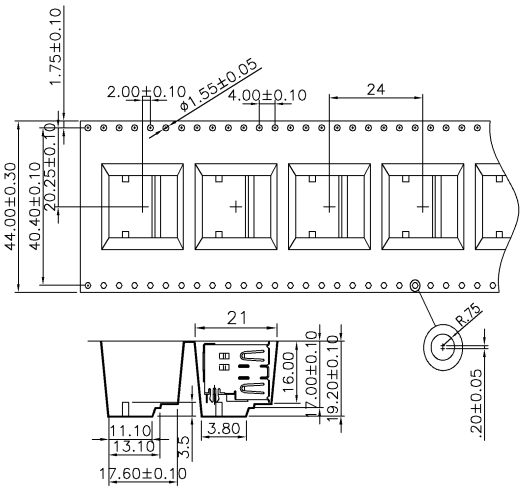
CUSTOMER DRAWING

NUMBER C-1734062

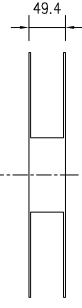
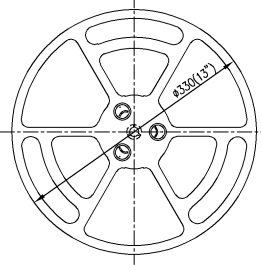
3RD ANGLE PROJECTION

METRIC

PRINT DIST DW THIS INFORMATION IS CONFIDENTIAL AND IS DISCLOSED TO YOU ON CONDITION THAT NO FURTHER DISCLOSURE IS MADE BY YOU TO OTHER THAN AMP PERSONNEL WITHOUT DIMENSIONS IN MILLIMETERS. DO NOT SCALE PRINT.



- NOTES:
- MATERIAL:
REEL: PS.
EMBOSSED CARRIER: PS.
COVER TAPE: PBT.
 - DIMENSION
REEL: $\varnothing 330\text{mm} \times 49.4\text{mm}$
SHIPPING CARTON: L=350mm, W=350mm, H=350mm
 - QUANTITY :
PRIMARY PACKING: 140PCS/REEL
SECONDARY PACKING: 7 REELS/CARTON(980PCS).
 - WEIGHT :
NET WEIGHT: 0.60 KG/REEL, 4.2 KG/CARTON.
GROSS WEIGHT: 0.9 KG/REEL, 7.6 KG/CARTON.
 - PEELING RESISTANCE: 20G TO 130G.
 - PEELING SPEED: 300MM/MIN.



8-1734062-1
5-1734062-1
PART NUMBER

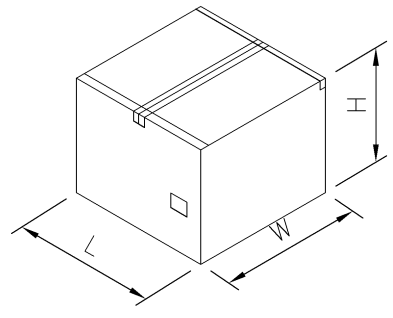
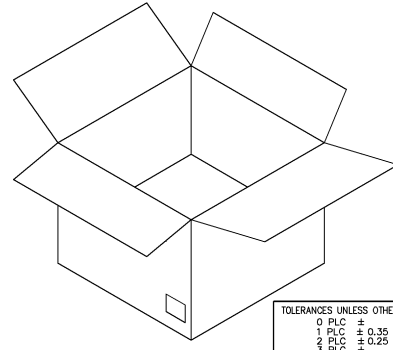
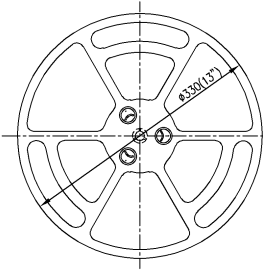
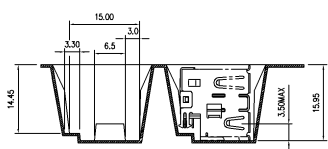
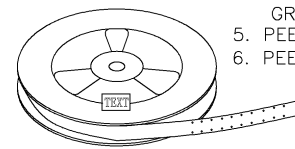
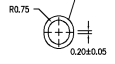
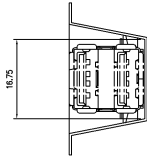
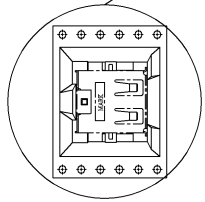
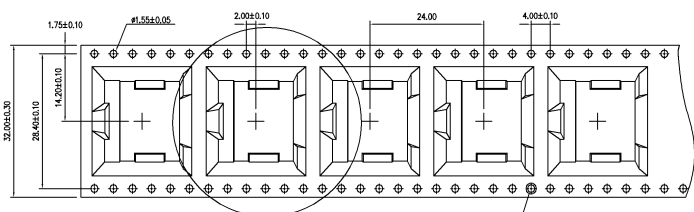
TOLERANCES UNLESS OTHERWISE SPECIFIED:		DWN	O. HU	tyco TYCO HOLDINGS (BERMUDA)	
0 PLC ±		25-AUG-2005	S. HOU	VII LTD. TAIWAN BRANCH	
1 PLC ± 0.35			25-AUG-2005	NAME	
2 PLC ± 0.25				USB CONNECTOR, A SERIES, STACKED, OFFSET TYPE	
3 PLC ±				DRAWING NO	
ANGLES ±				C-1734062	
MATERIAL	SEE NOTE	APVD	W.J. KE	LOG	SIZE
			25-AUG-2005	DW	A ₃
FINISH	SEE NOTE	QUALIFICATION TEST REPORT	-	SCALE	---
		WEIGHT	-	SHEET	14 OF 17

SEE SHEET 1.				
LTR	REVISION RECORD	ECN	DWN/CHK	DATE

CUSTOMER DRAWING

NUMBER C-1734062
METRIC
3RD ANGLE PROJECTION

PRINT DIST DW
THIS INFORMATION IS CONFIDENTIAL AND IS DISCLOSED TO YOU ON CONDITION THAT NO FURTHER DISCLOSURE BE MADE BY YOU TO OTHER THAN AMP PERSONNEL WITHOUT DIMENSIONS IN MILLIMETERS. DO NOT SCALE PRINT.



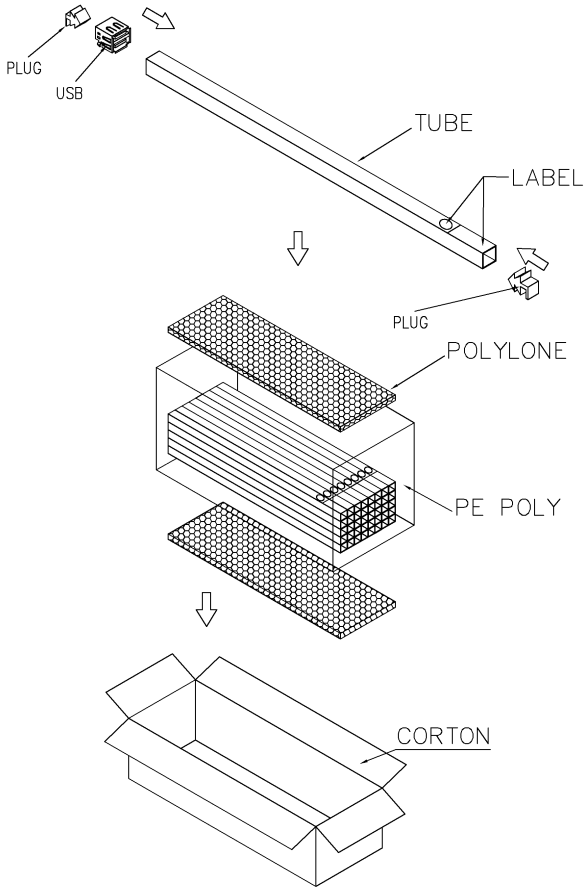
- NOTES:
- MATERIAL:
REEL: PS.
EMBOSSED CARRIER: PS.
COVER TAPE: PBT.
 - DIMENSION
REEL: $\phi 330\text{mm} \times 37.1\text{mm}$
SHIPPING CARTON: L=350mm, W=350mm, H=350mm
 - QUANTITY :
PRIMARY PACKING: 170PCS/REEL
SECONDARY PACKING: 9 REELS/CARTON(1,530PCS).
 - WEIGHT :
NET WEIGHT: 0.70 KG/REEL, 6.3 KG/CARTON.
GROSS WEIGHT: 0.85 KG/REEL, 7.8 KG/CARTON.
 - PEELING RESISTANCE: 20G TO 130G.
 - PEELING SPEED: 300MM/MIN.

6-1734062-1
PART NUMBER

TOLERANCES UNLESS OTHERWISE SPECIFIED: 0 PLC ± 1 PLC ± 0.35 2 PLC ± 0.25 3 PLC ± ANGLES ±	DWN O. HU 25-AUG-2005	tyco Electronics TYCO HOLDINGS (BERMUDA) VII LTD. TAIWAN BRANCH
MATERIAL SEE NOTE	CHK S. HOU 25-AUG-2005	NAME USB CONNECTOR, A SERIES, STACKED, OFFSET TYPE
FINISH SEE NOTE	APVD W.J. KE 25-AUG-2005	LOG SIZE DRAWING NO DW A3 C-1734062 REV B
	QUALIFICATION TEST REPORT -	SCALE --
	WEIGHT	SHEET 15 OF 17

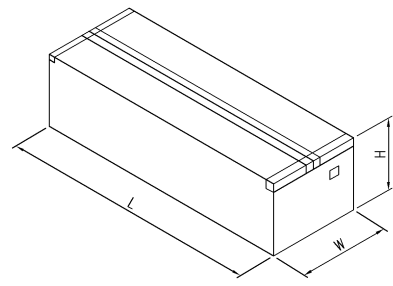
SEE SHEET 1.			
LTR	REVISION RECORD	ECN	DWN/CHK DATE

CUSTOMER DRAWING



NOTES:

1. MATERIAL:
 TRAY: PE.
 POLYLONE: POLYLONE
 SHIPPING CARTON: CORRUGATED FIBER.
2. DIMENSION :
 TUBE : L=455mm, W=18.1mm, H=18.1mm
 SHIPPING CARTON : L=475mm, W=165mm, H=130mm
3. QUANTITY :
 25 PCS/TUBE
 40 TUBE/INNER BOX(1,000PCS)
4. WEIGHT :
 NET WEIGHT : 4.3 KG
 GROSS WEIGHT : 6.2 KG



7-1734062-1
 PART NUMBER

TOLERANCES UNLESS OTHERWISE SPECIFIED:		DWN	O. HU	tyco TYCO HOLDINGS (BERMUDA)	
0 PLC ±	1 PLC ±	25-AUG-2005	25-AUG-2005	VII LTD. TAIWAN BRANCH	
2 PLC ±	3 PLC ±	CHK	S. HOU	NAME	
ANGLES ±			25-AUG-2005	W.J. KE	
MATERIAL	SEE NOTE	APVD	25-AUG-2005	USB CONNECTOR, A SERIES, STACKED, OFFSET TYPE	
FINISH	SEE NOTE	QUALIFICATION TEST REPORT	-	LOG DW	SIZE A ₃
		WEIGHT	-	SCALE	DRAWING NO C-1734062
					REV B
					SHEET 16 OF 17

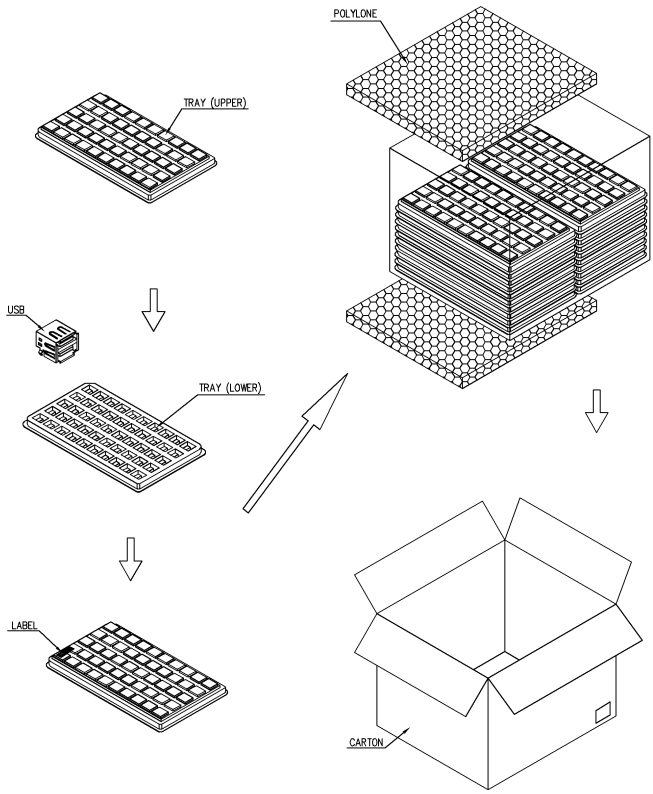
SEE SHEET 1.				
LTR	REVISION RECORD	ECN	DWN/CHK	DATE

NUMBER C-1734062



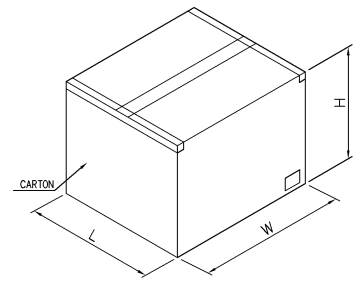
METRIC

PRINT DIST DW THIS INFORMATION IS CONFIDENTIAL AND IS DISCLOSED TO YOU ON CONDITION THAT NO FURTHER DISCLOSURE BE MADE BY YOU TO OTHER THAN AMP PERSONNEL WITHOUT DIMENSIONS IN MILLIMETERS. DO NOT SCALE PRINT.



NOTES:

1. MATERIAL:
 TRAY: PS.
 POLYLONE:POLYLONE.
 SHIPPING CARTON: CORRUGATED FIBER.
2. DIMENSION:
 TRAY : L=250mm, W=147.5mm, H=16.2mm.
 SHIPPING CARTON: L=315mm, W=270mm, H=200mm.
 POLYLONE : L=305mm, W=238mm, H=10mm.
3. QUANTITY:
 PRIMARY PACKING: 50PCS/TRAY.
 SECONDARY PACKING: 20TRAY/CARTON(1000PCS).
4. WEIGHT:
 NET WEIGHT:5.6KG/CARTON.
 GROSS WEIGHT:6.11KG/CARTON.



2-1734062-2
PART NUMBER

TOLERANCES UNLESS OTHERWISE SPECIFIED:		DWN	O. HU	tyco TYCO HOLDINGS (BERMUDA)	
0 PLC ±	1 PLC ±	25-AUG-2005	25-AUG-2005	VII LTD. TAIWAN BRANCH	
2 PLC ±	3 PLC ±	25-AUG-2005	S. HOU	NAME	
ANGLES ±			25-AUG-2005	USB CONNECTOR, A SERIES, STACKED, OFFSET TYPE	
MATERIAL	SEE NOTE	APVD	W.J. KE	LOC	
		PRODUCT SPEC	25-AUG-2005	SIZE	DRAWING NO
FINISH	SEE NOTE	APPLICATION SPEC		DW	A ₃ C-1734062
		WEIGHT		SCALE	SHEET
					17 OF 17

SEE SHEET 1.	ECN	DWN	CHK	DATE
LTR	REVISION RECORD			

CUSTOMER DRAWING