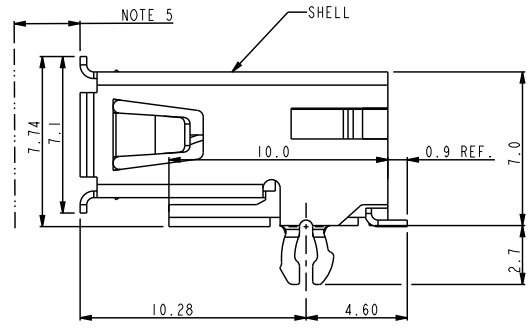
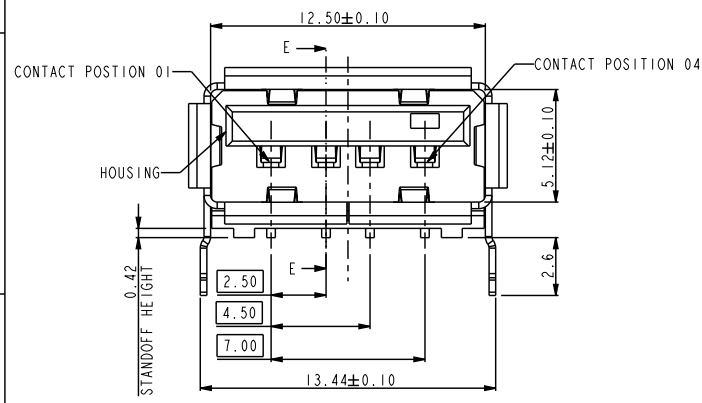
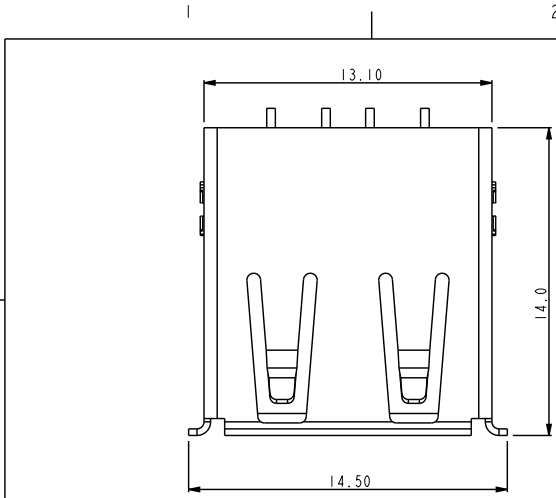




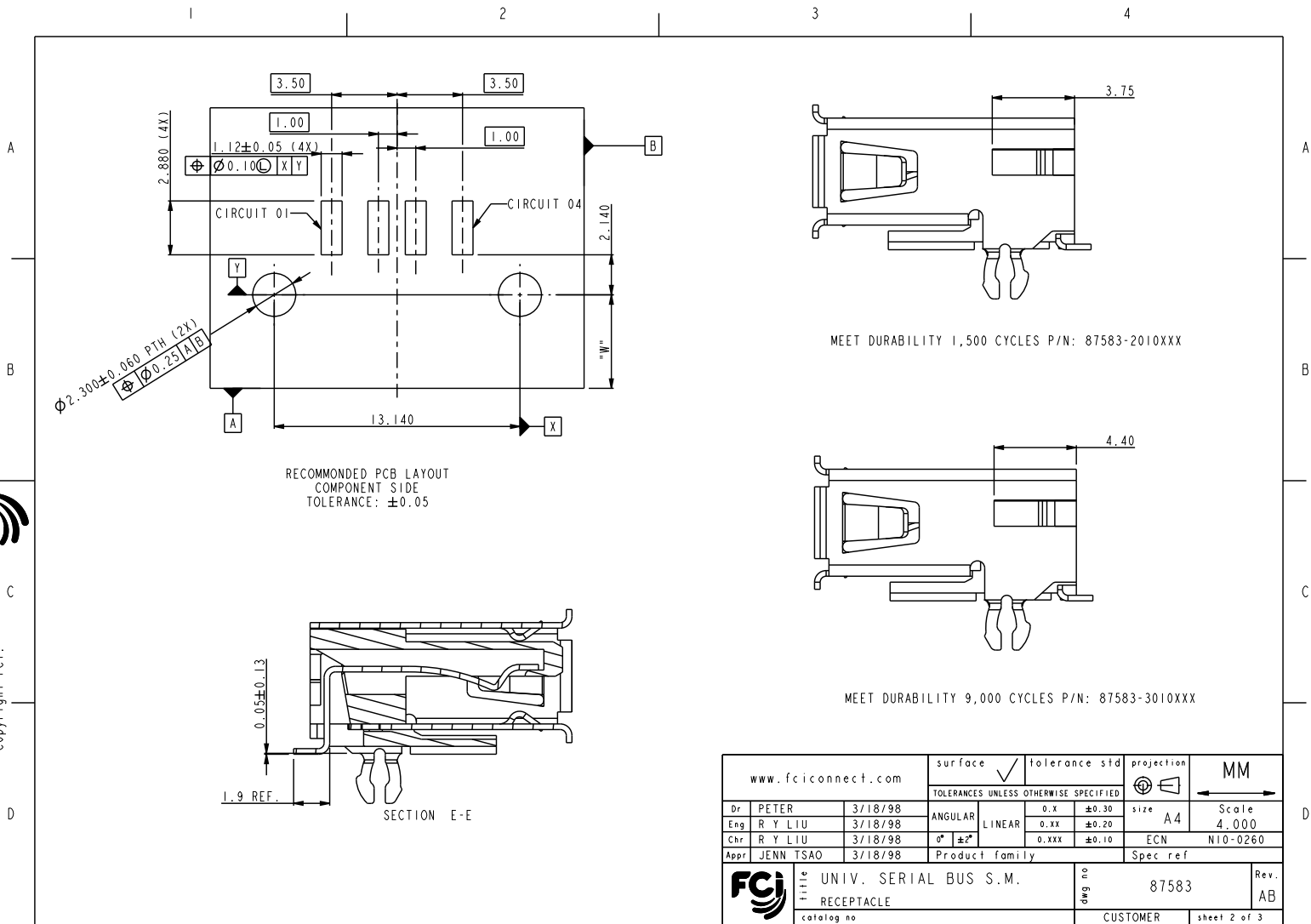
Copyright FCI.



- NOTES:
1. MATERIAL: TERMINAL: COPPER ALLOY
SHELL: COPPER ALLOY
HOUSING: THERMOPLASTIC, UL94 V-0;
 2. PLATING: SEE PART NUMBER CODE;
 3. DATUM AND BASIC DIMENSIONS ESTABLISHED BY CUTOMER;
 4. RECOMMENDED PCB THICKNESS IS 1.57MM;
 5. 2.67MM MAXIMUM PANEL THICKNESS IF MOUNTED BEHIND PANEL;
 6. PRODUCT SPECIFICATION: GS-12-095;
 7. PACKAGE SPECIFICATION: GS-14-393;
 8. COMPLIED WITH USB 2.0 AND TID NUMBER 60000205;
 9. 87583-3010XXX DURABILITY MEET USB 2.0 1,500 CYCLES, AND THE OTHER PART MEET USB 2.0 1,500 CYCLES; (TO BE CONTINUED ON PAGE 3)

www.fciconnect.com		surface	tolerance std	projection	MM
		ANGULAR	0.x ±0.30	size	A4
		LINEAR	0.xx ±0.20	Scale	4.000
		0° ±2°	0.xxx ±0.10	ECN	N10-0260
		Product family		Spec ref	
Dr	PETER	3/18/98			
Eng	R Y LIU	3/18/98			
Chr	R Y LIU	3/18/98			
Appr	JENN TSAO	3/18/98			
rev	ecn no	dr	date		
W	N07-0304	R.B	12/31/2007		
X	N08-0162	R.B	08/06/2008		
Y	N08-0238	R.B	11/03/2008		
AA	N09-0356	R.B	11/05/2009		
AB	N10-0260	K.W	08/17/2010		
V	N07-0050	WS	02/13/2007		
FCI		UNIV. SERIAL BUS S.M.		eng no	87583
RECEPTACLE		catalog no		Rev.	AB
		CUSTOMER		sheet 1 of 3	

PDM: Rev:AB STATUS:Released⁴ Printed: Aug 21, 2010



www.fciconnect.com		surface <input checked="" type="checkbox"/>	tolerance std	projection	MM
TOLERANCES UNLESS OTHERWISE SPECIFIED					
Dr	PETER	3/18/98	ANGULAR	LINEAR	size A4 Scale 4.000
Eng	R Y LIU	3/18/98	0.x	±0.30	ECN N10-0260
Chr	R Y LIU	3/18/98	0.xx	±0.20	
Appr	JENN TSAO	3/18/98	0.xxx	±0.10	
Product family				Spec ref	
UNIV. SERIAL BUS S.M.		87583		Rev. AB	
RECEPTACLE		CUSTOMER		sheet 2 of 3	
catalog no					

PDM: Rev:AB STATUS:Released⁴ Printed: Aug 21, 2010

REV F - 2004-04-07



Copyright FCI.

PRODUCT NUMBER CODE

87583 - X X X X X P X LF

BASE PRODUCT NUMBER _____

HOUSING COLOR OPTIONS _____
 0- WHITE+TIN OVER NICKLE UNDERPLATE
 1- BLACK+TIN OVER NICKLE UNDERPLATE
 2 - WHITE+SHELL Ni PLATING ONLY
 3 - BLACK+SHELL Ni PLATING ONLY
 S - BLACK+SHELL Ni PLATING ONLY
 (SPECIAL MATERIAL FOR 12,000 DURABILITY CYCLES)

SHELL OPTION _____
 0 - NO BACK SHIELD

MOUNTING HOLE OPTIONS _____
 1 - NONE

TERMINAL PLATING OPTION _____
 0 - 50u" Ni UNDERPLATE
 30u" GXT CONTACT AREA
 100u" TIN TAIL AREA

PACKAGING OPTIONS _____
 B - TUBES
 R - TAPE & REEL

DATE CODE _____

A FOR AUTOMOTIVE APPLICATION _____
 H FOR HPO SMT

LEAD FREE OPTION _____

AVAILABLE P/N LIST	
87583-0010BHLF	
87583-0010BLF	OB
87583-0010RPLF	OB
87583-1010BLF	OB
87583-1010RPLF	
87583-1010RPLF	OB
87583-2010BLF	
87583-2010BPLF	
87583-2010RLF	
87583-2010RPLF	
87583-3010BLF	
87583-3010BPLF	
87583-3010RPLF	
87583-3010RPLF	
87583-S010XPLF	

(CONTINUE)

9. P/N'S WITH SUFFIX "LF" ARE LEAD FREE P/N'S

10. FOR LEAD FREE P/N, THE PRODUCT MEET EUROPEAN UNION DIRECTIVES AND OTHER COUNTRY REGULATION AS DESCRIBED IN GS-22-008

11. THE HOUSING WILL WITHSTAND EXPOSURE TO 260°C PEAK TEMPERATURE FOR 40 SECONDS IN A CONVECTION, INFRO-RED OR VAPOR PHASE REFLOW OVEN.

12. FOR AUTOMOTIVE APPLICATION: ALL THE TOLERANCES ".XX" ARE ±0.10 UNLESS OTHER SPECIAL NOTIFICATION

www.fciconnect.com		surface <input checked="" type="checkbox"/>	tolerance std	projection	MM
TOLERANCES UNLESS OTHERWISE SPECIFIED					
Dr	PETER	3/18/98	ANGULAR	LINEAR	size A4 Scale 4.000
Eng	R Y LIU	3/18/98	0.x	±0.30	ECN N10-0260
Chr	R Y LIU	3/18/98	0.xx	±0.20	
Appr	JENN TSAO	3/18/98	0.xxx	±0.10	
FCJ		UNIV. SERIAL BUS S.M.		eng no	87583
RECEPTACLE		CUSTOMER		Rev.	AB
catalog no		sheet 3 of 3			



Copyright FCJ.