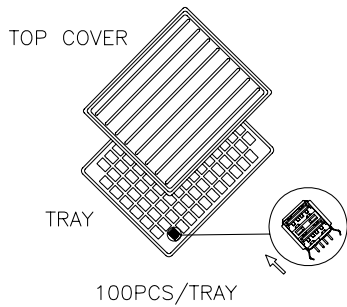


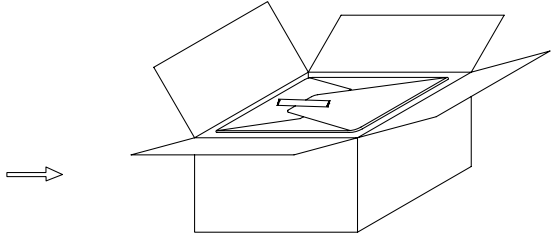
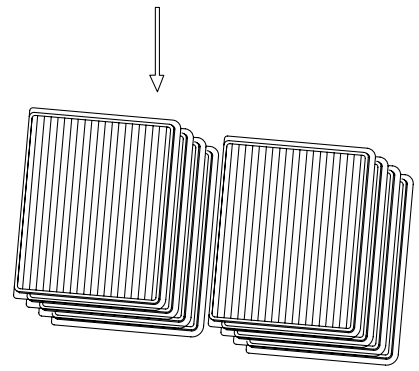
THIS DRAWING IS UNPUBLISHED. RELEASED FOR PUBLICATION AUG 2006
 © COPYRIGHT BY TYCO ELECTRONICS CORPORATION. ALL RIGHTS RESERVED.

LOC	DIST	REVISIONS			
P	LTR	DESCRIPTION	DATE	DWN	APVD
		SEE SHEET 1.			



- NOTES:
- MATERIAL:
TRAY: PS or PET
 - DIMENSION:
TRAY: L=270, W=230, H=21
SHIPPING CARTON: L=470, W=280, H=210
 - QUANTITY:
PRIMARY PACKING: 100 PCS/TRAY
SECONDARY PACKING: 20 TRAY/CARTON(2,000PCS)
 - WEIGHT:

BACK COVER	W/	W/O
NET WEIGHT	10.68 Kg	9.4 Kg
GROSS WEIGHT	12.18 Kg	10.9 Kg



20TRAY/CARTON

THIS DRAWING IS A CONTROLLED DOCUMENT.		DWN	Tyco Electronics Corporation Taipei, Taiwan	
DIMENSIONS: MM		CHK	NAME	
TOLERANCES UNLESS OTHERWISE SPECIFIED: 0 PLC ± - 1 PLC ± - 2 PLC ± - 3 PLC ± - 4 PLC ± - ANGLES ± -		APVD	PRODUCT SPEC - QUALIFICATION TEST REPORT -	
MATERIAL	FINISH	WEIGHT	SIZE	CAGE CODE
			A3	00779
		DRAWING NO		RESTRICTED TO
		C=1734022		
CUSTOMER DRAWING		SCALE	SHEET	REV
			2 OF 2	C