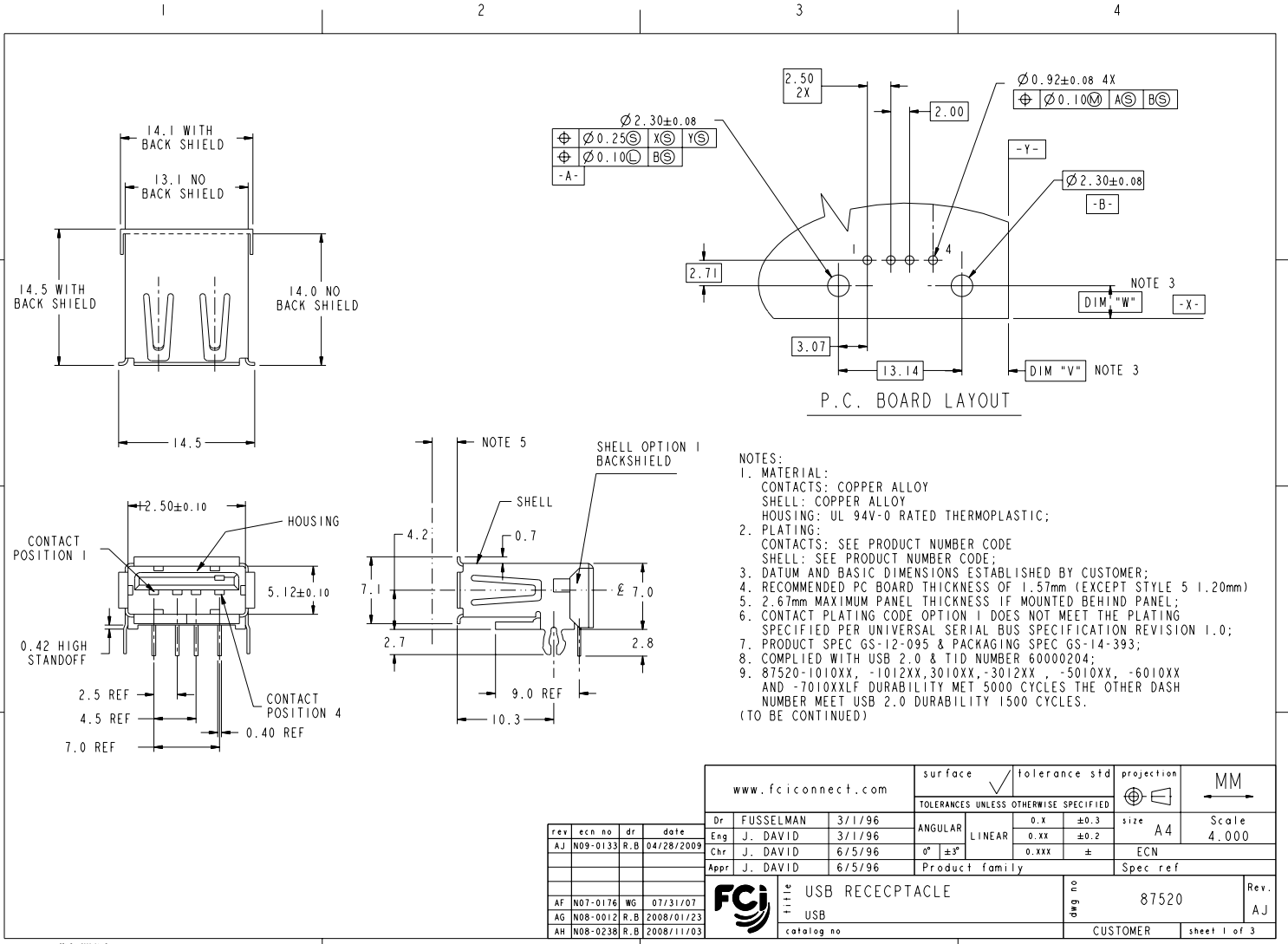




Copyright FCJ.



| rev | ecn no   | dr  | date       |
|-----|----------|-----|------------|
| AJ  | N09-0133 | R.B | 04/28/2009 |
| AF  | N07-0176 | WG  | 07/31/07   |
| AG  | N08-0012 | R.B | 2008/01/23 |
| AH  | N08-0238 | R.B | 2008/11/03 |

|                      |  |                |               |            |             |
|----------------------|--|----------------|---------------|------------|-------------|
| www.fciconnect.com   |  | surface        | tolerance std | projection | MM          |
| Dr FUSSELMAN 3/1/96  |  | ANGULAR        | 0.x ±0.3      | size A4    | Scale 4.000 |
| Eng J. DAVID 3/1/96  |  | LINEAR         | 0.xx ±0.2     | ECN        |             |
| Chr J. DAVID 6/5/96  |  | 0° ±3°         | 0.xxx ±       | Spec ref   |             |
| Appr J. DAVID 6/5/96 |  | Product family |               |            |             |
| FCJ                  |  | USB RECEPTACLE | eng no        | 87520      | Rev. AJ     |
| catalog no           |  | CUSTOMER       | sheet 1 of 3  |            |             |

PRODUCT NUMBER CODE

87520- X X X X X P X LF

BASE PRODUCT NUMBER

HOUSING COLOR AND SHELL PLATING OPTIONS  
 0 - WHITE+SHELL TIN & NICKEL PLATING  
 1 - BLACK+SHELL TIN & NICKEL PLATING  
 2 - WHITE+SHELL NICKEL PLATING ONLY  
 3 - BLACK+SHELL NICKEL PLATING ONLY  
 4 - WHITE FR50 + SHELL TIN & NICKEL PLATING FOR NON LEAD FREE P/N'S  
 CHANGE WHITE FR50 TO WHITE PA46 FOR LEAD FREE P/N'S  
 5 - BLACK NYLON 66 + SHELL TIN & NICKEL PLATING FOR NON LEAD FREE P/N'S  
 CHANGE BLACK NYLON 66 TO BLACK PA46 FOR LEAD FREE P/N'S  
 6 - WHITE FR50+SHELL TIN & NICKEL PLATING FOR NON LEAD FREE P/N'S  
 CHANGE WHITE FR50 TO WHITE PA46 FOR LEAD FREE P/N'S  
 7 - WHITE PA46+SHELL TIN & NICKEL PLATING

SHELL TYPE OPTION  
 0 - NO BACK SHIELD. SEE STYLE 1 FOR DURABILITY 1500 CYCLES  
 SEE STYLE 4 FOR DURABILITY 5000 CYCLES  
 1 - BACK SHIELD. SEE STYLE 2  
 2 - PARTIAL BACK SHIELD. SEE STYLE 3  
 3 - NO BACK SHIELD. SEE STYLE 4 WITH HIGH PERFORMANCE MATERIAL  
 FOR DURABILITY 12,000 CYCLES. NI PLATING ONLY

MOUNTING HOLE OPTIONS  
 1 - NONE

TERMINAL PLATING OPTION  
 0 - 1.25um Ni UNDERPLATE  
 0.76um GXT CONTACT AREA  
 2.50um TIN/LEAD TAIL AREA FOR P/N'S  
 2 - 1.25um Ni UNDERPLATE  
 0.76um /30u" GOLD CONTACT AREA  
 2.50um TIN/LEAD TAIL AREA FOR P/N'S

PACKAGING OPTIONS  
 A - TAPE AND REEL  
 B - TUBES

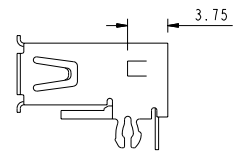
DATE CODE

SPECIAL OPTION:  
 S: PANASONIC ONLY  
 B: FOR 1.20mm THICKNESS PCB

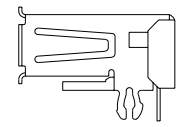
LEAD FREE OPTION  
 P/N'S WITH SUFFIX "LF" MEAN LEAD FREE PRODUCT  
 FOR LEAD FREE P/N, CHANGE ALL ORIGINAL TIN/LEAD PLATING TO PURE TIN PLATING

AVAILABLE PART NUMBER LIST

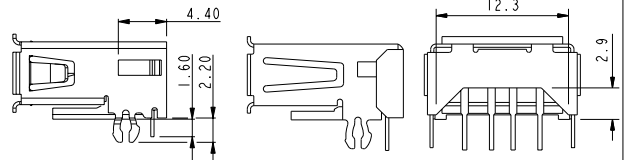
- 87520-0010XXLF
- 87520-0012XXLF
- 87520-0210XXLF
- 87520-1010XXLF
- 87520-1012XXLF
- 87520-0110XXLF
- 87520-0112XXLF
- 87520-1110XXLF
- 87520-1112XXLF
- 87520-2010XXLF
- 87520-2012XXLF
- 87520-2110XXLF
- 87520-2112XXLF
- 87520-2210XXLF
- 87520-3010XXLF
- 87520-3012XXLF
- 87520-3110XXLF
- 87520-3112XXLF
- 87520-4010XXLF
- 87520-4110XXLF
- 87520-5010XXLF/5010XXSLF
- 87520-5110XXLF
- 87520-6010XXLF
- 87520-7010XXSLF
- 87520-3010APBLF
- 87520-3S10XPLF
- 87520-3S12XPLF
- 87520-3S10XPBLF
- 87520-3S12XPBLF



STYLE 1 WITHOUT BACK SHELL

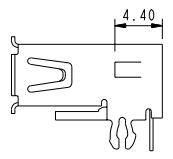


STYLE 2 WITH BACK SHELL



STYLE 5 WITHOUT BACK SHELL FOR 1.20mm THICKNESS PCB 87520-3X10APBLF

STYLE 3 WITH PARTIAL BACK SHELL



STYLE 4 WITHOUT BACK SHELL

- FOR 87520-1010XXLF
- 1012XXLF
- 3010XXLF
- 3012XXLF
- 5012XXLF
- 6010XXLF
- 7010XXSLF
- 3S10XPLF
- 3S12XPLF

- (CONTINUED)
10. PACKING STANDARD GS-14-920 WILL BE APPLIED FOR LEAD FREE P/N'S;
  11. FOR LEAD FREE P/N, THE PRODUCT MEET EUROPEAN UNION DIRECTIVES AND OTHER COUNTRY REGULATION AS DESCRIBED IN GS-22-008;
  12. THE HOUSING WILL WITHSTAND EXPOSURE TO 260°C PEAK TEMPERATURE FOR 40 SECONDS IN A CONVECTION, INFRO-RED OR VAPOR PHASE REFLOW OVEN;
  13. 87520-1010XXLF/-3010XXLF/-5010XXLF CAN WITHSTAND 2Amps CURRENT EITHER PARALLEL OR SERIALS (TESTING PLUG WITH 20 AWG WIRE);
  14. THE PRODUCT CAN BE USED FOR PIP PROCESS.

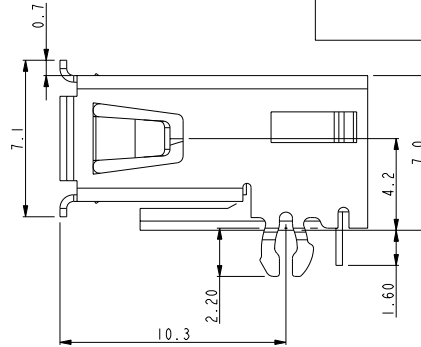
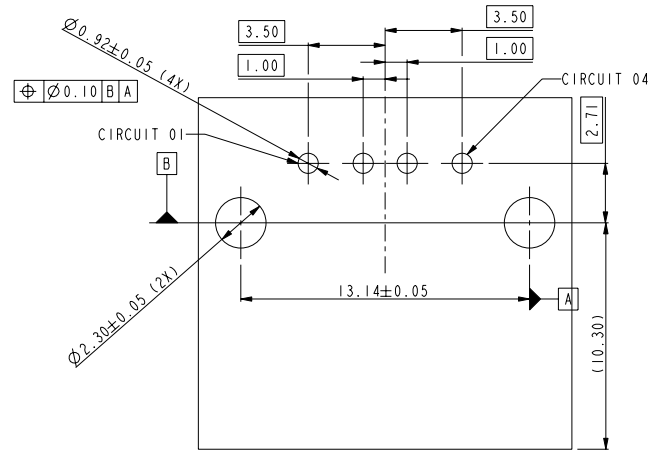
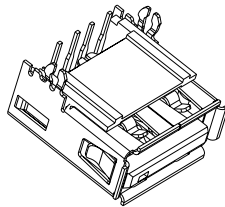
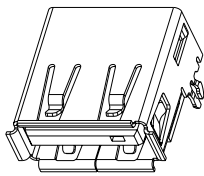
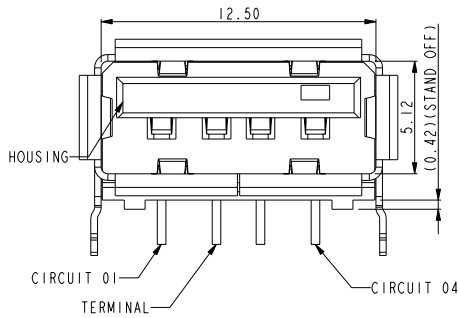
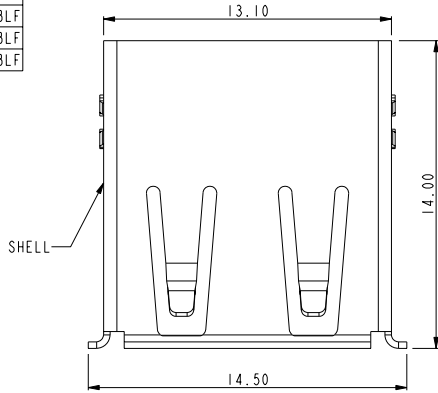
|                      |                |                |           |              |            |      |       |
|----------------------|----------------|----------------|-----------|--------------|------------|------|-------|
| www.fciconnect.com   |                | surface        | tolerance | std          | projection | MM   |       |
|                      |                | ANGULAR        | LINEAR    | 0.x          | ±0.3       | size | Scale |
| Dr FUSSELMAN 3/1/96  |                |                |           | 0.xx         | ±0.2       | A4   | 4.000 |
| Eng J. DAVID 3/1/96  |                |                |           | 0.xxx        | ±          | ECN  |       |
| Chr J. DAVID 6/5/96  |                | Product family |           | Spec ref     |            |      |       |
| Appr J. DAVID 6/5/96 |                |                |           |              |            |      |       |
| FCJ                  | USB RECEPTACLE |                | dwg no    | 87520        |            | Rev. |       |
|                      | USB            |                |           |              | AJ         |      |       |
| catalog no           |                | CUSTOMER       |           | sheet 2 of 3 |            |      |       |



Copyright FCJ.

REV. 1 - 2004-04-07

| PART NUMBER     |
|-----------------|
| 87520-3010APBLF |
| 87520-3S10XPBLF |
| 87520-3S12XPBLF |



RECOMMENDED PCB LAYOUT  
COMPONENT SIDE

|                    |           |                                       |                |              |      |
|--------------------|-----------|---------------------------------------|----------------|--------------|------|
| www.fciconnect.com |           | surface                               | tolerance std  | projection   | MM   |
|                    |           | TOLERANCES UNLESS OTHERWISE SPECIFIED |                | ← →          |      |
| Dr                 | FUSSELMAN | 3/1/96                                | ANGULAR        | 0.x          | ±0.3 |
| Eng                | J. DAVID  | 3/1/96                                | LINEAR         | 0.xx         | ±0.2 |
| Chr                | J. DAVID  | 6/5/96                                | 0° ±3°         | 0.xxx        | ±    |
| Appr               | J. DAVID  | 6/5/96                                | Product family | Spec ref     |      |
| FCJ                |           | TITLE                                 |                | dwg no       | Rev. |
| USB                |           | USB RECEPTACLE                        |                | 87520        | AJ   |
| catalog no         |           | CUSTOMER                              |                | sheet 3 of 3 |      |

PDM: Rev:AJ

STATUS: Released

Printed: May 26, 2009

REV: 2004-04-07



Copyright FCJ.