

PRODUCT NO.  
73725

PRODUCT NUMBER CODE

HOUSING COLOR OPTION  
0-WHITE  
1-BLACK

SENSOR CONTACT OPTION  
0-WITH SENSOR CONTACT  
1-WITHOUT SENSOR CONTACT

SHIELD PLATING OPTION

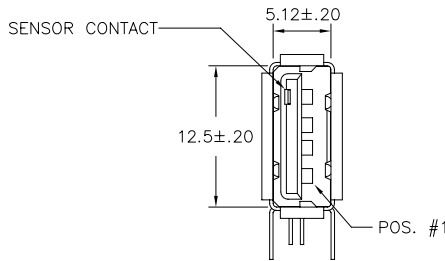
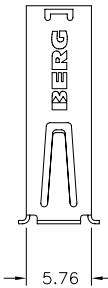
- 1- 2.5µm MINIMUM TIN/LEAD OVER 1.25µm MINIMUM NICKEL UNDERPLATE (HOLD DOWN STYLE "A")
- 2- 1.25µm MINIMUM NICKEL UNDERPLATED & 2.5 µm MINIMUM TIN/LEAD PLATED ON HOLD DOWN ONLY (HOLD DOWN STYLE "B")
- 3- 1.25µm MINIMUM NICKEL UNDERPLATED & 2.5 µm MINIMUM TIN/LEAD PLATED ON HOLD DOWN ONLY (HOLD DOWN STYLE "A")
- 4- 2.5µm MINIMUM TIN/LEAD OVER 1.25µm MINIMUM NICKEL UNDERPLATE (HOLD DOWN STYLE "B")
- 5- 2.5µm MINIMUM TIN/LEAD ON HOLD DOWN OVER 1.25µm MINIMUM NICKEL UNDERPLATE (HOLD DOWN STYLE "C")
- 6- 1.25µm MINIMUM NICKEL ONLY (HOLD DOWN STYLE "A")
- 7- 1.25µm MINIMUM NICKEL UNDERPLATED & 2.5 µm MINIMUM MATTE TIN PLATED (HOLD DOWN STYLE "A")
- 8- 1.25µm MINIMUM NICKEL UNDERPLATED & 2.5 µm MINIMUM MATTE TIN PLATED (HOLD DOWN STYLE "B")
- 9- 1.25µm MINIMUM NICKEL UNDERPLATED & 2.5 µm MINIMUM MATTE TIN PLATED (HOLD DOWN STYLE "D")
- S- 1.25µm MINIMUM NICKEL ONLY, STYLE A HIGH PERFORMANCE MATERIAL FOR 12,000 DURABILITY CYCLES

TERMINAL PLATING OPTION  
0-50µ" NI UNDERPLATE; 30µ" GXT CONTACT AREA  
100µ" TIN/LEAD TAIL AREA; TAIL LENGTH: 2.29  
1-50µ" NI UNDERPLATE; 30µ" GXT CONTACT AREA  
100µ" TIN TAIL AREA; TAIL LENGTH: 3.30

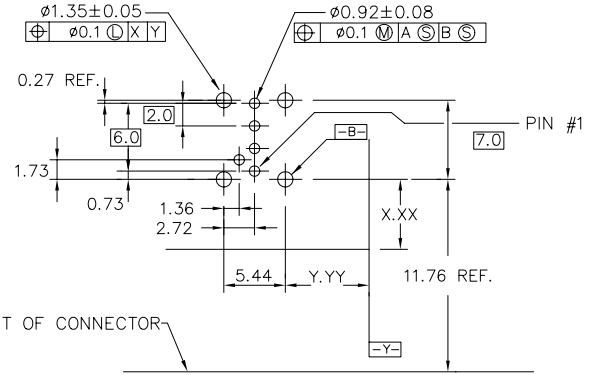
NOTES:

1. MATERIAL:  
CONTACTS: COPPER ALLOY  
SHIELD: COPPER ALLOY  
HOUSING: UL 94V-0 THERMOPLASTIC, COLOR: SEE PRODUCT CODE
2. PLATING: CONTACTS: GOLD FLASH OVER PALLADIUM NICKEL (0.76µm MINIMUM) IN CONTACT AREA; 2.5 µm TIN-LEAD MINIMUM IN SOLDER TAIL AREA. 1.27 µm MINIMUM NICKEL UNDERPLATE OVER ALL SURFACES.  
SHIELD: SEE PRODUCT NUMBER CODE.
- ③ DATUMS & BASIC DIMENSIONS TO BE DETERMINED BY CUSTOMER
4. RECOMMENDED BOARD THICKNESS IS 1.60mm ~ 1.00mm.
- ⑤ MAXIMUM PANEL THICKNESS TO BE 2.67mm IF MOUNTED BEHIND PANEL
6. METAL SHELL SLIVER 0.20 MAX.
7. NI PLATING DOES NOT COMPLY WITH THE USB STANDARDS (to be continued)

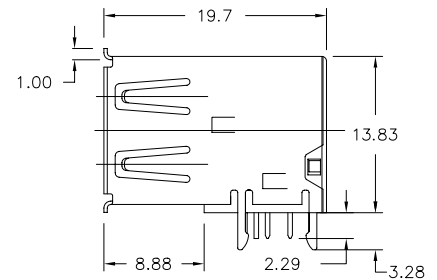
LEAD FREE OPTION  
THE PLATING WILL CHANGE,  
SEE NOTE 9



WITH SENSOR CONTACT



PC BOARD MOUNTING DIMENSIONS FOR 5 PIN



FOR 73725-X0X0B  
HOLD DOWN STYLE "A"

mat'l code		tolerance unless otherwise specified		CUSTOMER COPY		FCJ www.fcjconnect.com	
rev.	ecn no.	dr	date	linear	.0 ± .30	projection	title
AB	N09-0202	R.B	2009/06/25	angles	.00 ± .20	⊕	USB UP-RIGHT RECEIPT
					.000± 0.10		
					± 2"		
		dr	PAMP	5/20/97	unit	product family	code
X	N07-0159	WG	07/11/07	enrg	R Y LIU	5/20/97	USB
Y	N08-0238	R.B	2008/11/03	chr	R Y LIU	5/20/97	size
AA	N09-0054	R.B	2009/02/23	oppd	JENN TSAO	5/20/97	dwg no.
						scale	73725
						3 : 1	sheet
sheet	revision						1 OF 4
index	sheet						

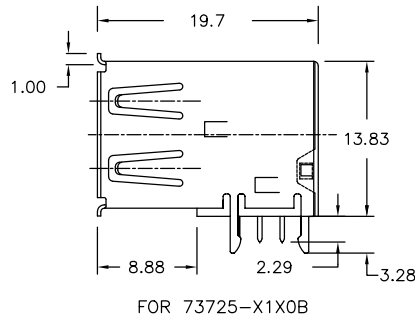
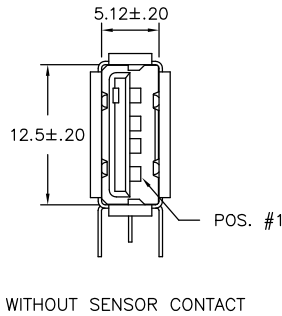
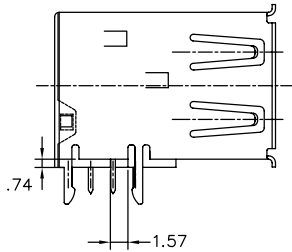
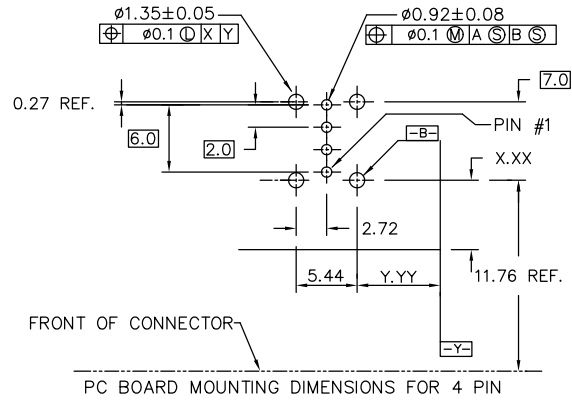
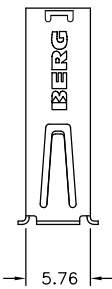
PDM: Rev:AB STATUS Released Printed: Jul 07, 2009

Tous droits strictement réservés. Reproduction ou communication à des tiers est  
 sans aucune forme que ce soit sans autorisation écrite du propriétaire.  
 Property of FCJ ELECTRONICS. Reproduction or communication to any third party, in any  
 form, without written permission of the proprietor.  
 Property of FCJ ELECTRONICS. Reproduction or communication to any third party, in any  
 form, without written permission of the proprietor.  
 Copyright FCJ ELECTRONICS BY

PRODUCT NO.	73725
-------------	-------

(CONTINUED)

6. P/N'S WITH SUFFIX "LF" ARE LEAD FREE P/N'S
7. FOR LEAD FREE P/N, THE PRODUCT MEET EUROPEAN UNION DIRECTIVES AND OTHER COUNTRY REGULATION AS DESCRIBED IN GS-22-008
8. THE HOUSING WILL WITHSTAND EXPOSURE TO 260°C PEAK TEMPERATURE FOR 40 SECONDS IN A CONVECTION, INFRO-RED OR VAPOR PHASE REFLOW OVEN.
9. FOR ALL LEAD FREE P/N'S, CHANGE TIN/LEAD PLATING TO PURE TIN PLATING
10. FOR 73725-XX3XXLF/XXSXXLF MEET DURABILITY 12K CYCLES
11. THE PRODUCT CAN BE USED FOR PIP PROCESS



mat'l code		tolerance unless otherwise specified		CUSTOMER COPY		 www.fcjconnect.com	
rev.	ecn no.	dr	date	linear	.0 ± .30	projection	title
AB				angles	.00 ± .20		USB UP-RIGHT RECEIPT
					.000± 0.10		
				dr	PETER PAM 9/4/97	unit	product family USB
				enrg	R Y LIU 9/4/97	mm	size
				chr	R Y LIU 9/4/97	scale	dwg no.
				appd	JENN TSAO 9/4/97	A3	73725
sheet	revision						code
index	sheet						TWN
							sheet
							2 OF 4

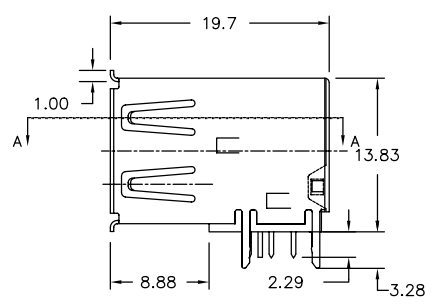
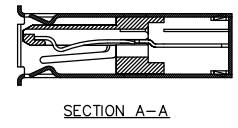
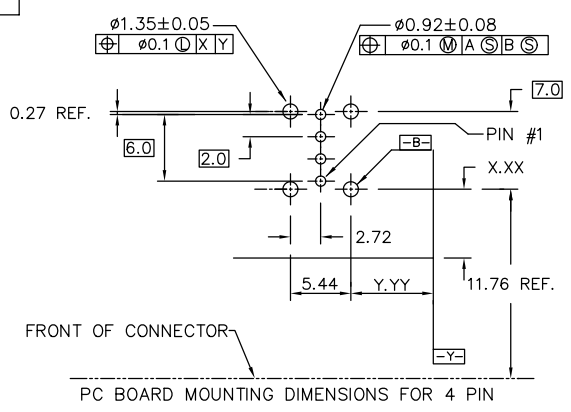
PDM: Rev: AB STATUS: Released Printed: Jul 07, 2009

All rights strictly reserved. Reproduction or issue to third parties in any form without the written authority of FCJ is prohibited. Copyright © 2009 FCJ. All rights reserved. Reproduction or issue to third parties in any form without the written authority of FCJ is prohibited.

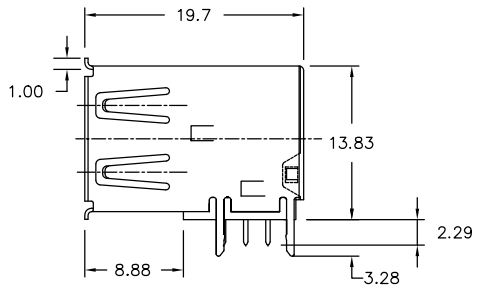
Tous droits strictement réservés. Reproduction ou communication a des tiers int sans aucune forme, sans autorisation écrite du propriétaire.  
 Copyright BERG ELECTRONICS sv

All rights strictly reserved. Reproduction or issue to third parties in any form without written authority from the proprietor.  
 Copyright BERG ELECTRONICS sv

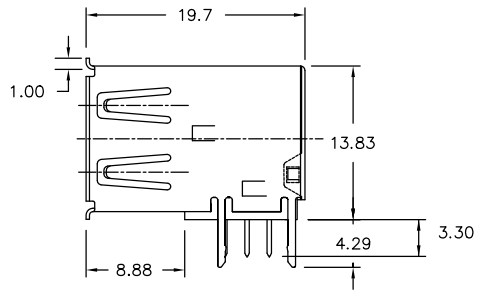
PRODUCT NO.  
73725



WITH SENSOR CONTACT  
FOR 73725-X0X0B  
HOLD DOWN STYLE "B"



WITHOUT SENSOR CONTACT  
FOR 73725-X1X0B  
HOLD DOWN STYLE "B"

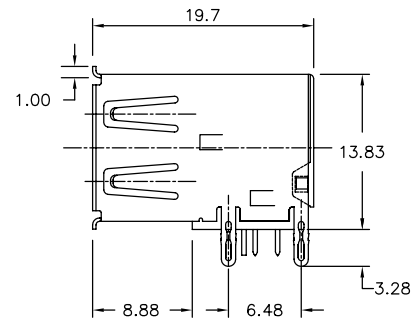
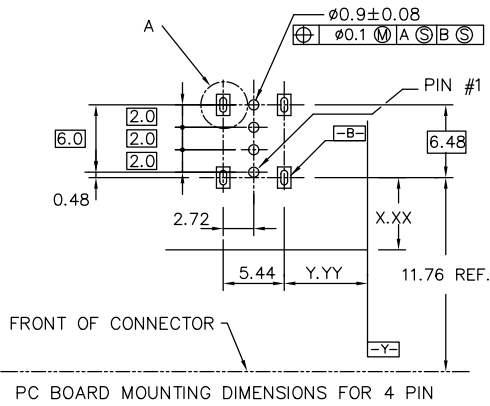


WITHOUT SENSOR CONTACT  
FOR 73725-X191XLF  
HOLD DOWN STYLE "D"

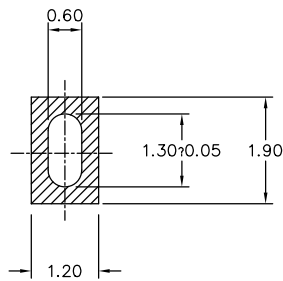
mat'l code		tolerance unless otherwise specified		CUSTOMER COPY		FCJ www.fcjconnect.com	
rev.	ecn no.	dr	date	linear	.0 ± .30	projection	title
AB					.00 ± .20		
				angles	.000 ± 0.10	product family USB	code
					± 2°		
		dr	PETER	5/20/97	unit	mm	product family USB
		enqr	JOHN WEN	5/20/97	scale	3 : 1	dwg no.
		chr	JOHN WEN	5/20/97			73725
		pppd	JENN TSAO	5/20/97			sheet
sheet	revision						3 OF 4
index	sheet						

PDM: Rev:AB STATUS: Released Printed: Jul 07, 2009


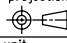
PRODUCT NO.  
73725



WITHOUT SENSOR CONTACT  
FOR 73725-X1X0B  
HOLD DOWN STYLE "C"



DETAIL A 5 : 1

mat'l code		tolerance unless otherwise specified		CUSTOMER COPY		 www.fcjconnect.com		
rev.	ecm no.	dr	date	linear	.0 ± .30	projection	title USB UP-RIGHT RECEPT	
AB					.00 ± .20			
				angles	.000± 0.10		product family USB size dwg no.	
					± 2°			
		dr	PETER	01/12/99	unit	mm	code TWN	
		enr	R Y LIU	01/12/99	scale	3 : 1		
		chr	R Y LIU	01/12/99	size	A3	sheet 4 OF 4	
		appd	JENN TSAO	01/12/99				
sheet	revision							
index	sheet							

PDM: Rev:AB STATUS Released Printed: Jul 07, 2009

All rights strictly reserved. Reproduction or lease to third parties in any form or by any means, electronic or mechanical, including photocopying, recording, or by any information storage and retrieval system, without the prior written permission of FCJ ELECTRONICS. Copyright © FCJ ELECTRONICS.