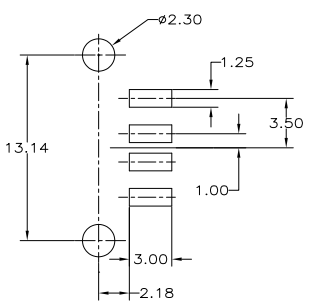
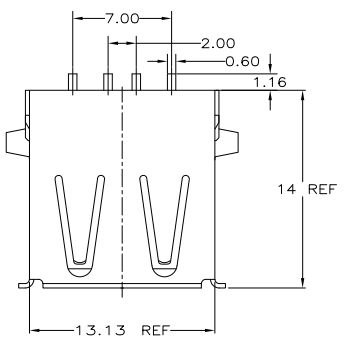


- △ MATERIAL:  
SHELL & CONTACTS- COPPER ALLOY.  
HOUSING: UL 94V-0 RATED, THERMOPLASTIC, COLOR SEE TABLE.
- △ PLATING:  
CONTACTS: 0.076 μm MINIMUM GOLD OVER 0.76 μm MINIMUM PALLADIUM-NICKEL ON MATING AREA.  
3.8 μm MINIMUM MATTE TIN ON SOLDER TAILS.  
BOTH OVER 1.27 μm MINIMUM NICKEL.  
CONTACT ALTERNATE PLATING: 0.76 μm MIN GOLD ON MATING AREA, 3.80 μm MIN MATTE TIN ON SOLDER TAILS, BOTH OVER 1.27 μm MIN NICKEL.  
SHELL: 2~5 μm MINIMUM BRIGHT TIN
- △ DATUM AND BASIC DIMENSIONS ESTABLISHED BY CUSTOMER.
- △ RECOMMENDED PC BOARD THICKNESS OF 1.57.

YES	3.30	BLACK	1-292303-2
YES	2.29	BLACK	292303-6
YES	2.84	NATURAL	292303-5
YES	2.84	BLACK	292303-4
NO	2.84	NATURAL	292303-3
NO	2.29	BLACK	292303-2
NO	2.84	BLACK	292303-1
HIGH TEMPERATURE COMPATIBLE	D	HOUSING COLOR	PART NUMBER

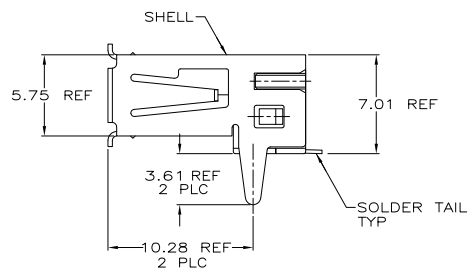
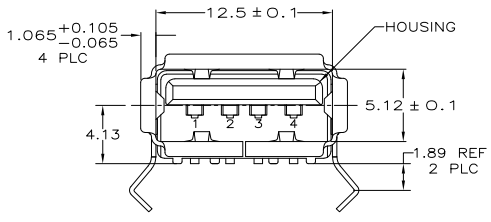
DIMENSIONS:		TOLERANCES UNLESS OTHERWISE SPECIFIED:		DWG: JIANG 19FEB04		S. YAO 19FEB04		Tyo Electronics Tyco Electronics Corporation Shanghai, P.R.China, 200233	
mm		D, P, R, A, ANGLES		T. SASAKI 19FEB04		108-60034		RECEPTACLE ASSEMBLY RIGHT ANGLE, 4 POSITION, T/H & SMT USB, LEAD FREE VERSION	
MATERIAL		FINISH		WEIGHT		SIZE		CASE CODE	
CUSTOMER DRAWING		A2		00779		DRAWING NO. 292303		SCALE 5:1	

DOC		REV		REVISIONS		
ES	00	P	DIR	DESCRIPTION	DATE	OWN
-	-	-	-	SEE SHEET 1	-	-



RECOMMENDED PC BOARD MOUNTING LAYOUT (TOLERANCE=±0.05)

- ⚠ MATERIAL:  
SHELL & CONTACTS- COPPER ALLOY.  
HOUSING: UL 94V-0 RATED, THERMOPLASTIC, COLOR SEE TABLE.
- ⚠ PLATING:  
CONTACTS: 0.076 μm MINIMUM GOLD OVER 0.76 μm MINIMUM PALLADIUM-NICKEL ON MATING AREA.  
3.8 μm MINIMUM MATTE TIN ON SOLDER TAILS.  
BOTH OVER 1.27 μm MINIMUM NICKEL.  
CONTACT ALTERNATE PLATING: 0.76μm MIN GOLD ON MATING AREA, 3.80 μm MIN MATTE TIN ON SOLDER TAILS, BOTH OVER 1.27 μm MIN NICKEL.  
SHELL: 2~5 μm MINIMUM BRIGHT TIN
- ⚠ RECOMMENDED PC BOARD THICKNESS OF 1.42.

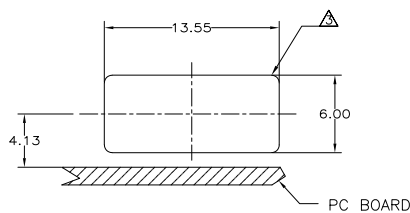
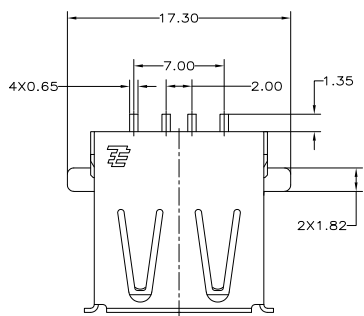


YES	BLACK	1-292303-1
YES	NATURAL	292303-7
HIGH TEMPERATURE COMPATIBLE	HOUSING COLOR	PART NUMBER

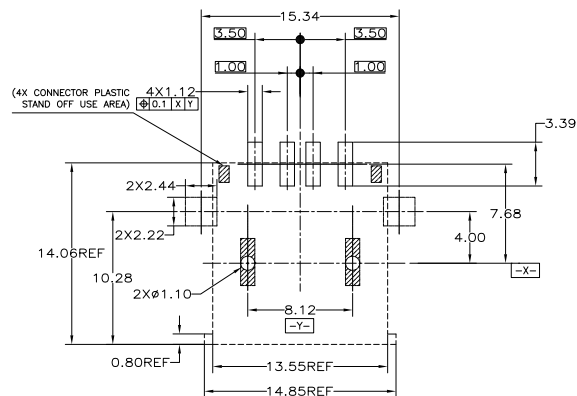
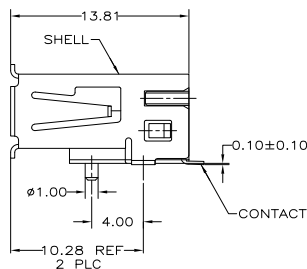
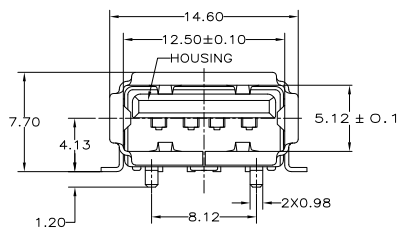
<small>THE DIMENSIONS &amp; TOLERANCES SPECIFIED FOR THIS DRAWING ARE TO BE USED UNLESS OTHERWISE SPECIFIED. IT IS THE RESPONSIBILITY OF THE USER TO VERIFY THE DIMENSIONS AND TOLERANCES OF THE PARTS TO BE USED IN THE ASSEMBLY.</small>		DWN: JIANG 19FEB04 CHK: S.YAO 19FEB04 DRG: T.SASAKI 19FEB04	Tyco Electronics Corporation Shanghai, P.R.China, 200233
DIMENSIONS: mm TOLERANCES UNLESS OTHERWISE SPECIFIED: Ø PLC ±- □ PLC ±- □ PLC ±0.25 □ PLC ±- □ PLC ±- FINISH:	PRODUCT SPEC: 108-60034 APPLICATION SPEC:	Tyco Electronics RECEPTACLE ASSEMBLY RIGHT ANGLE, 4 POSITION, T/H & SMT USB, LEAD FREE VERSION	DRAWING NO: 292303 SCALE: 5:1 SHEET: 2 of 4 REV: E4
MATERIAL: ⚠ FINISH: ⚠	WEIGHT: - CUSTOMER DRAWING	SIZE: A2 CASE CODE: 00779	DRAWING NO: 292303



DOC		REV		REVISIONS			
ES	00	P	DR	DESCRIPTION	DATE	OWN	APPR
-	-	-	-	SEE SHEET 1	-	-	-



RECOMMENDED MOUNTING PANEL CUTOUT



RECOMMENDED PC BOARD MOUNTING LAYOUT (TOLERANCE=±0.05)

YES	NATURAL	292303-9
HIGH TEMPERATURE COMPATIBLE	HOUSING COLOR	PART NUMBER

<small>THIS DRAWING IS UNPUBLISHED. RELEASED FOR PUBLICATION. IT IS SUBJECT TO CHANGE AND THE CUSTOMER'S RESPONSIBILITY TO VERIFY THE DIMENSIONS AND SPECIFICATIONS OF THE PARTS TO BE USED IN HIS APPLICATION. ORGANIZATION SHOULD BE ADVISED FOR THE LATEST REVISION.</small>		DWG: JIANG 19FEB04 CHK: S.YAO 19FEB04 DRG: T.SASAKI 19FEB04	Tyco Electronics Corporation Shanghai, P.R.China, 200233
DIMENSIONS: mm TOLERANCES UNLESS OTHERWISE SPECIFIED: Ø PLC ±- PLC ±- H. PLC ±0.25 H. PLC ±- FINISH ±-	PRODUCT SPEC: 108-60034 APPLICATION SPEC: - WEIGHT: - CUSTOMER DRAWING: -	SIZE: A2 CASE CODE: 00779 DRAWING NO: 292303	RECEPTACLE ASSEMBLY RIGHT ANGLE, 4 POSITION, T/H & SMT USB, LEAD FREE VERSION
MATERIAL:		SCALE: 5:1 SHEET: 4 of 4 REV: E4	DRAWING NO: 292303