

Wire to Board Connectors

Connector System for Universal Serial Bus (USB)

Receptacle Assemblies/Series A, 4-Position, Right-Angle

Thru-Hole

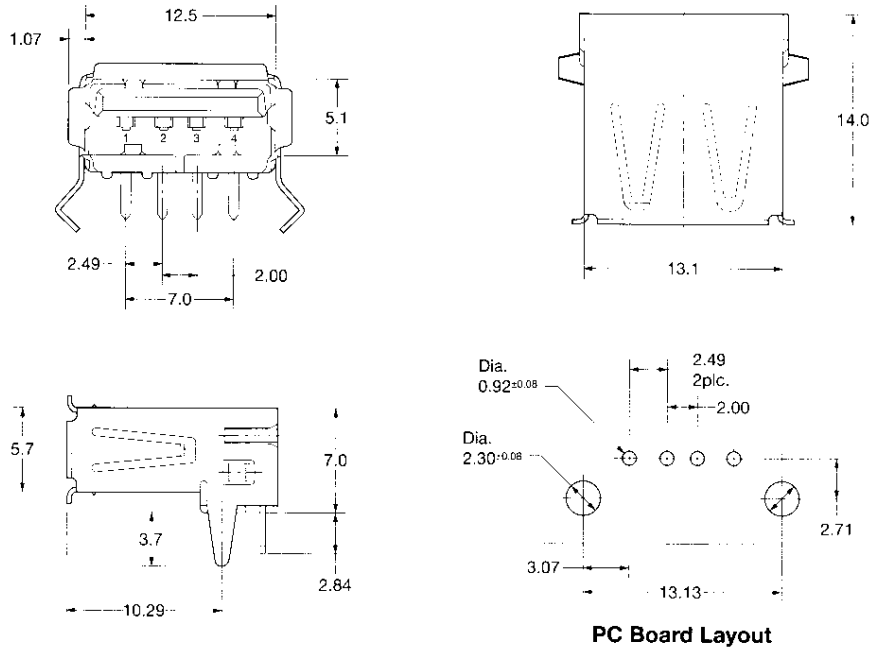
Part Number : 787616-1 (black)
787616-3 (natural)
(Solder tail length : 2.84)

Material and Finish :

Housing—Thermoplastic, UL 94V-0 rated
Shell—Copper Alloy, plated bright tin
Contacts—Copper Alloy, plated 0.076µm min. gold over 0.76µm min. palladium-nickel on the mating end, 3.8µm min. tin lead on solder tails all over 1.27µm min. nickel underplating or 0.076µm min. gold on the mating end, 3.8µm min. tin lead on solder tails all over 1.27µm min. nickel underplating.

Recommended pc board thickness : 1.57

Product Specifications :
108-1586



Thru-Hole, Flag

Part Number : 440260-1 (black)
440260-2 (natural)
(Solder tail length : 2.29)

Material and Finish :

Housing—Thermoplastic, UL 94V-0 rated
Shell—Copper Alloy, plated bright tin
Contacts—Copper Alloy, plated 0.076µm min. gold over 0.76µm min. palladium-nickel on the mating end, 3.8µm min. tin lead on solder tails all over 1.27µm min. nickel underplating or 0.076µm min. gold on the mating end, 3.8µm min. tin lead on solder tails all over 1.27µm min. nickel underplating.

Recommended pc board thickness : 1.57

Product Specifications :
108-1586

